

4

3

2

1

F

F

E

E

D

D

C

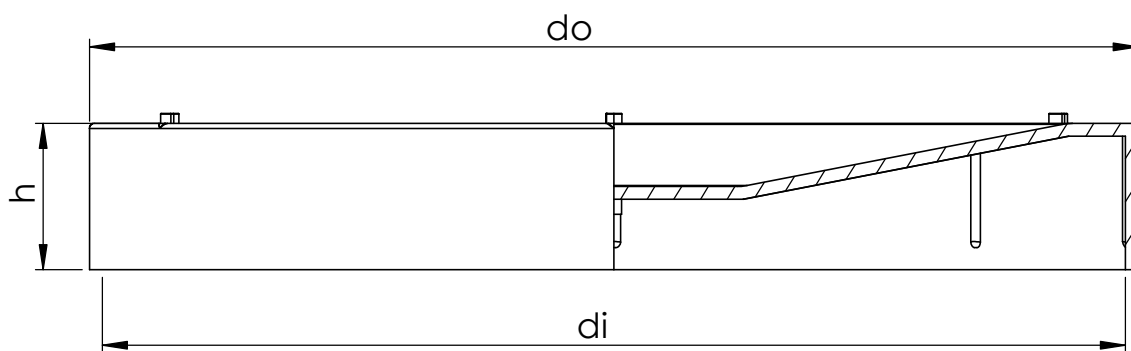
C

B

B

A

A



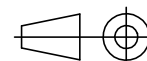
Item	Size	di	do	h
1069158	400	400	415	58
1069159	560	560		



Description  
 INFRA  
 Mounting dimensions  
 Chamber components

Drawing number  
**Z\_Chamber\_lid\_bottom**

Sheet: 1/1



4

3

2

1