

4

3

2

1

F

F

E

E

D

D

C

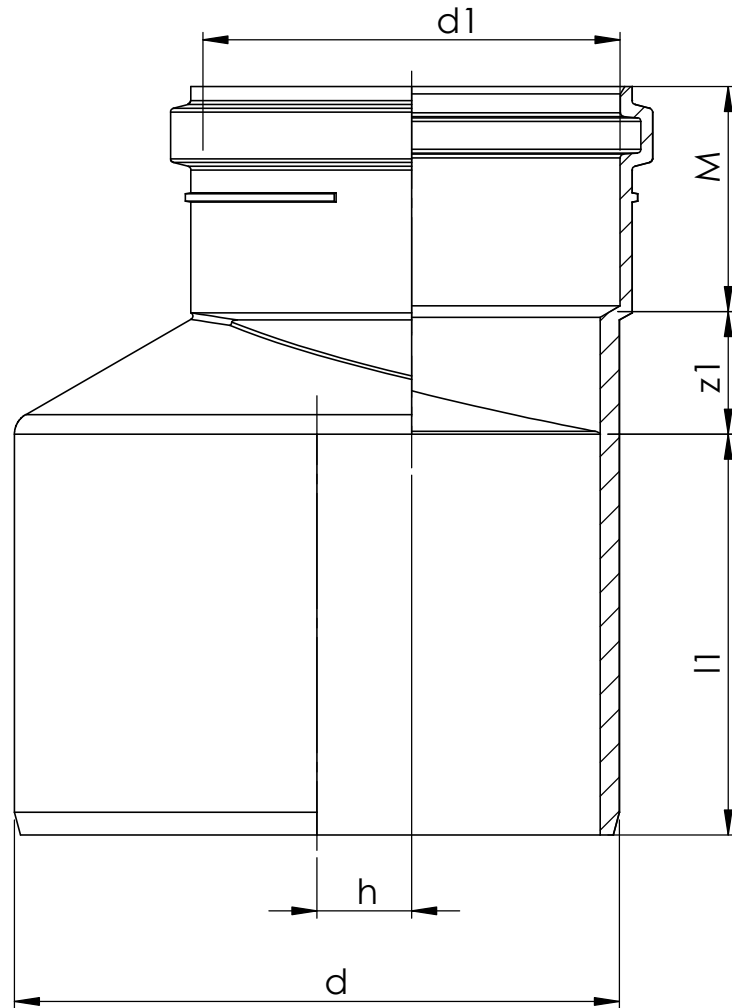
C

B

B

A

A



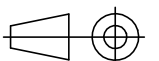
Item	Size	d	d1	l1	h	z1	M
1050078	160-110	160	110	106	25	32	60

Uponor

Description
INFRA
Mounting dimensions
Reducer
Underground drainage

Drawing number
Z_Underground_drainage_reducer

Sheet: 1/1



4

3

2

1