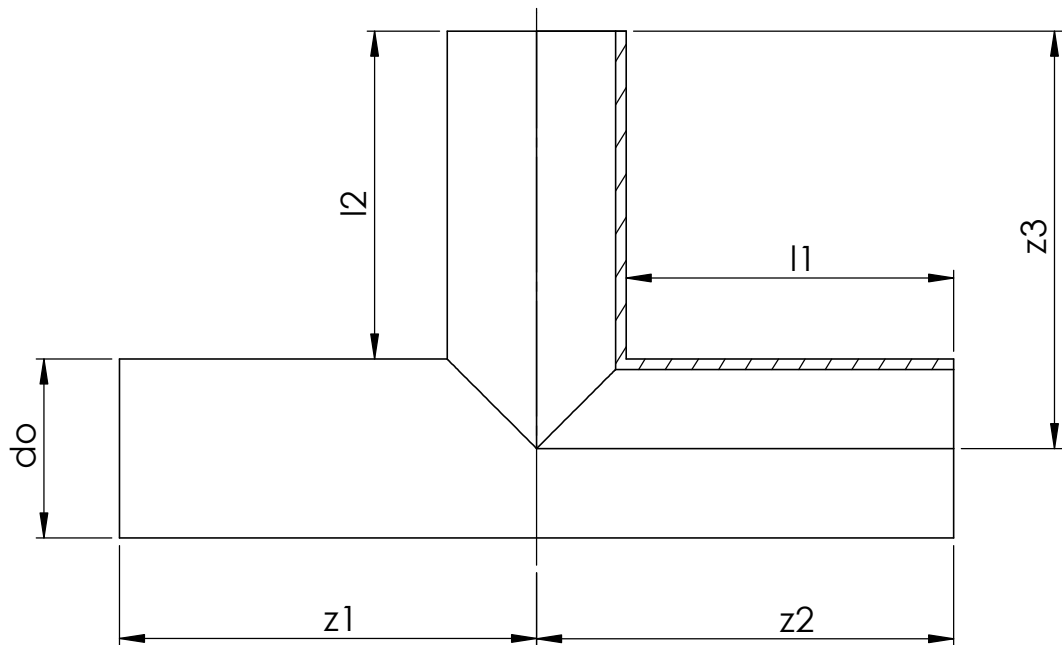


4

3

2

1



Item	Size	do	l1	l2	z1	z2	z3
1058988	355/355	355	650	650	828	828	828
1058989	400/400	400	800	800	1000	1000	1000
1058990	450/450	450	800	800	1025	1025	1025
1058991	500/500	500	800	800	1050	1050	1050
1058992	560/560	560	800	800	1080	1080	1080
1058993	630/630	630	900	900	1215	1215	1215

**uponor**

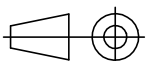
**Description**

INFRA  
Mounting dimensions  
Pressure tee 90° PN10 SDR17 Segment welded  
Custom pressure fittings

**Drawing number**

Z\_Pressure\_tee\_90\_deg\_PN10\_SDR17\_segment

Sheet: 1/1



4

3

2

1