

4

3

2

1

F

F

E

E

D

D

C

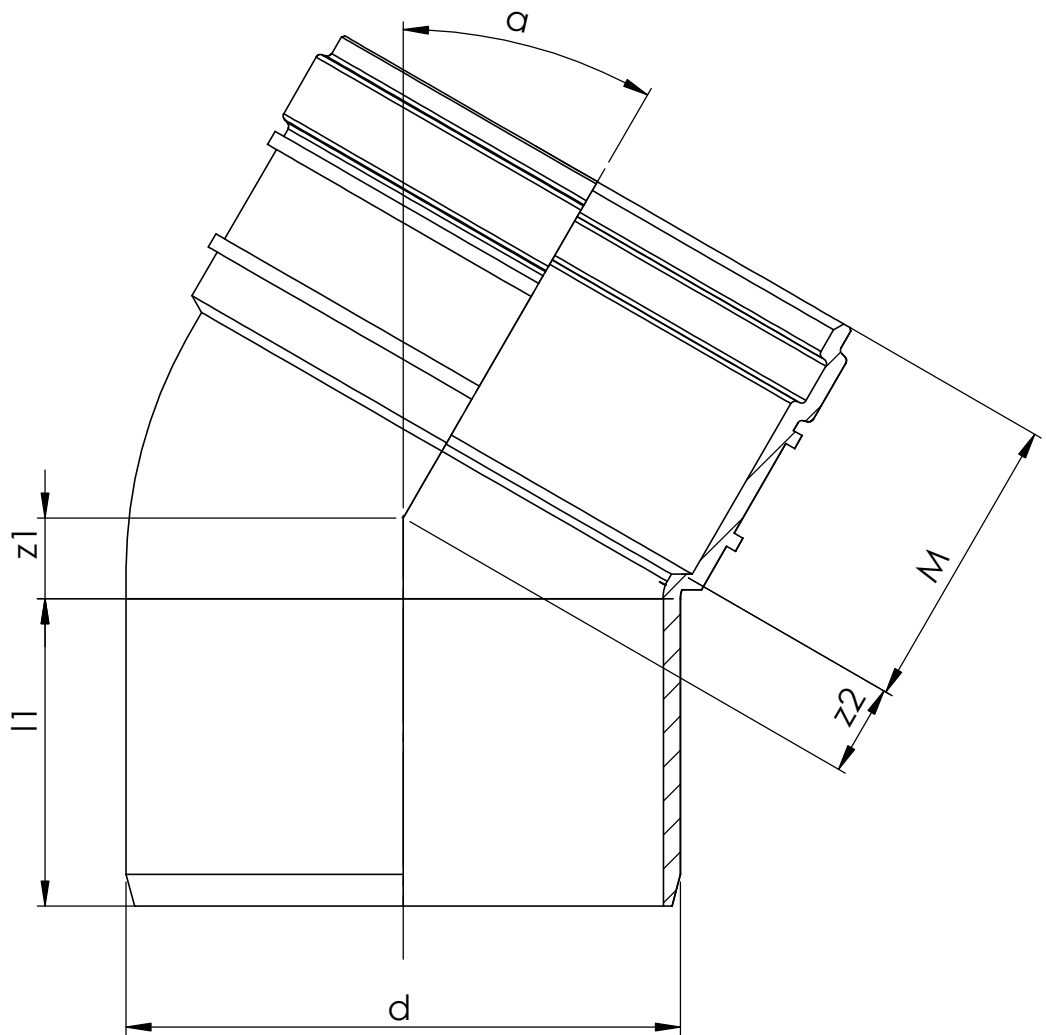
C

B

B

A

A



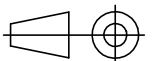
Item	Size	d	l1	z1	z2	M	a
1071969	110	110	61	16	18	59	30°
1050061	160	160	117	21	37	81	30°

**Uponor**

Description  
INFRA  
Mounting dimensions  
Bend 30°  
Underground drainage

Drawing number  
Z\_Underground\_drainage\_bend\_30\_deg

Sheet: 1/1



4

3

2

1