

4

3

2

1

F

F

E

E

D

D

C

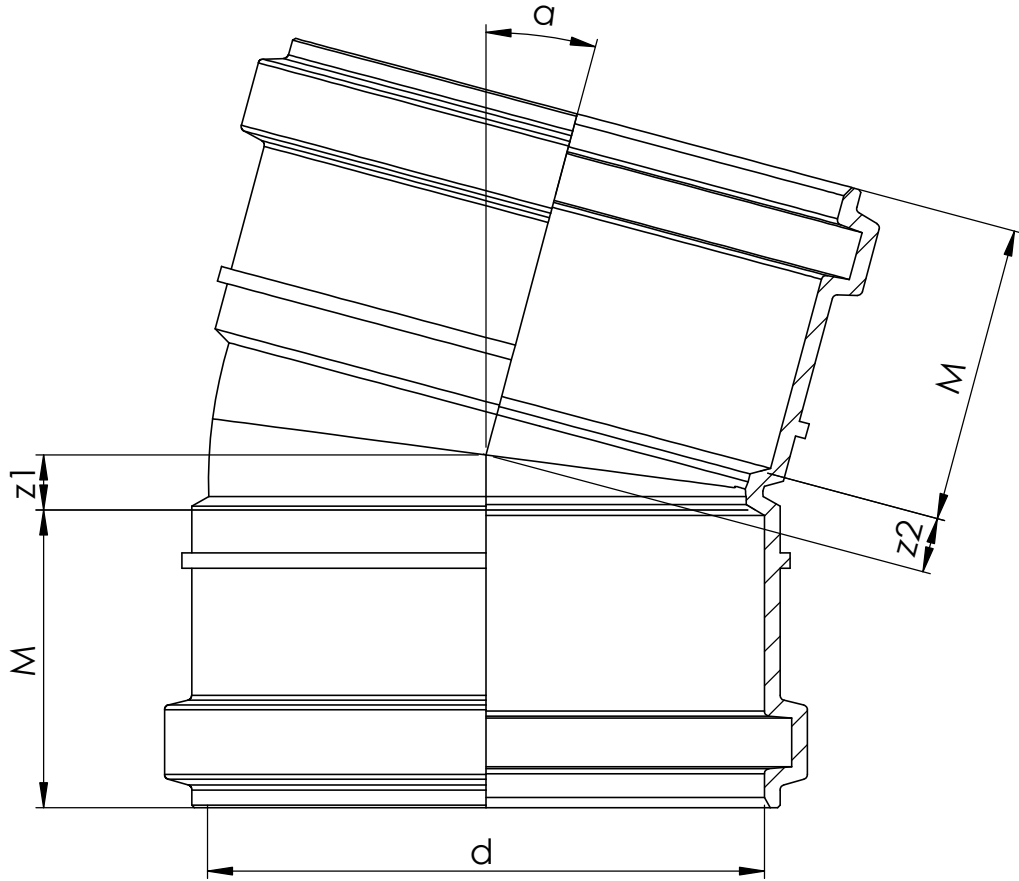
C

B

B

A

A



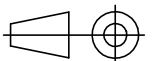
Item	Size	d	z1	z2	M	a
1050084	110	110	11	11	59	15°
1050086	160	160	36	36	82	15°

Uponor

Description
INFRA
Mounting dimensions
Socket bend 15°
Underground drainage

Drawing number
Z_Underground_drainage_socket_bend_15_deg

Sheet: 1/1



4

3

2

1