

Combi Port and Aqua Port INS

EN Installation and operation manual

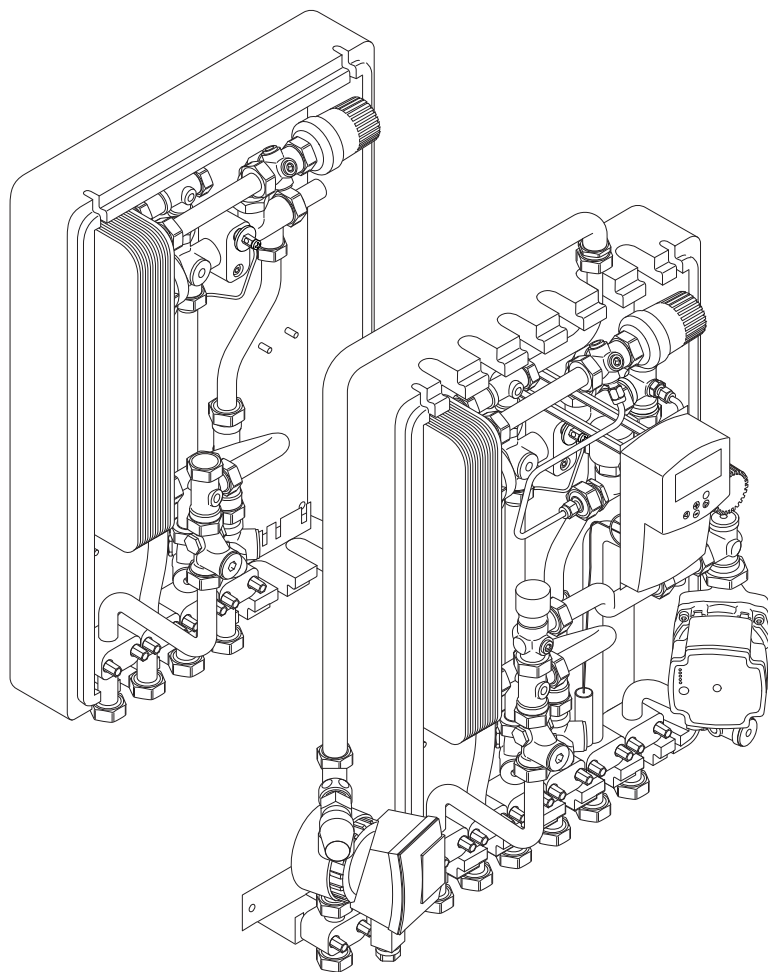


Table of contents

1	Copyright and disclaimer.....	3	9.2	Dimensional drawings.....	20
			9.3	Hydraulic schemes.....	21
			9.4	Performance curves.....	22
2	Preface.....	4			
2.1	Safety instructions.....	4			
2.2	Standards and regulations.....	4			
2.3	Correct disposal of this product (Waste Electrical and Electronic Equipment).....	4			
3	System description.....	6			
3.1	Operating principle.....	6			
3.2	Components.....	7			
3.3	Connection description.....	8			
3.4	Accessories.....	8			
4	Prepare for installation.....	9			
4.1	General information.....	9			
4.2	Water analysis.....	9			
5	Installation.....	10			
5.1	Mount HIU on the wall.....	10			
5.2	Connecting the unit.....	10			
5.3	Electrical installation.....	10			
6	Operation.....	11			
6.1	Cold water throttle disc.....	11			
6.2	Strainer.....	11			
6.3	Thermostatic lead module (TTV).....	11			
6.4	Mixing module.....	11			
6.5	Circulation (optional).....	13			
6.6	Heat meter distance piece.....	13			
6.7	Thermostatic hot water temperature limiter (TWB).....	13			
6.8	Injection valve with thermal 3-point actuator.....	14			
6.9	Differential pressure regulator	14			
7	Maintenance.....	16			
7.1	General information.....	16			
7.2	Turning off heat interface unit.....	16			
7.3	Setting log HIU.....	17			
8	Troubleshooting.....	18			
8.1	Fault description.....	18			
9	Technical data.....	20			
9.1	Technical specifications.....	20			

1 Copyright and disclaimer

Uponor has prepared this installation and operation manual and all the content included solely for information purposes. The contents of the manual (including graphics, logos, icons, text, and images) are copyrighted and protected by worldwide copyright laws and treaty provisions. You agree to comply with all copyright laws worldwide in your use of the manual. Modification or use of any of the contents of the manual for any other purpose is a violation of Uponor's copyright, trademark and other proprietary rights.

The presumption for the manual is that the safety measures have been fully complied with and that the Port system as covered by the manual (including any components):

- is selected, planned and installed and put into operation by a licensed and competent planner and installer in compliance with current (at the time of installation) installation instructions provided by Uponor as well as in compliance with all applicable building and plumbing codes and other requirements and guidelines;
- has not been (temporarily or continuously) exposed to temperatures, pressure and/or voltages that exceed the limits printed on the products or stated in any instructions supplied by Uponor;
- remain in its originally installed location and is not repaired, replaced or interfered with, without prior written consent of Uponor;
- is connected to potable water supplies or compatible plumbing, heating and/or cooling products approved or specified by Uponor;
- is not connected to or used with non-Uponor products, parts or components except for those approved or specified by Uponor; and
- does not show evidence of tampering, mishandling, insufficient maintenance, improper storage, neglect or accidental damage before installation and being put into operation.

While Uponor has made efforts to ensure that the manual is accurate, Uponor does not guarantee or warrant the accuracy of the information contained herein. Uponor reserves the right to modify the specifications and features described herein, or discontinue manufacture of the Uponor products described at any time without prior notice or obligation. The manual is provided "as is" without warranties of any kind, either expressed or implied. The information should be independently verified before using it in any manner.

To the fullest extent permissible, Uponor disclaims all warranties, expressed or implied, including, but not limited to, the implied warranties of merchantability, fitness for particular purpose and non-infringement.

This disclaimer applies to, but is not limited to, the accuracy, reliability or correctness of the manual.

Under no circumstances shall Uponor be liable for any indirect, special, incidental or consequential damages or loss that result from the use of or the inability to use the materials or information in the manual, or any claim attributable to errors, omission or other inaccuracies in the manual, even if Uponor has been advised of the possibility of such damages.

This disclaimer and any provisions in the manual do not limit any statutory rights of consumers.

2 Preface




The manual shows examples of the Combi Port and Aqua Port INS. Information about other variations, as well as further technical data can be found in the chapter "Combi Port and Aqua Port INS - Technical Information".

This installation and operation manual describes how to install and operate the components of the system.





2.1 Safety instructions

Warnings used in this manual


The following symbols are used in Uponor documentation to indicate special precautions when installing and operating any Uponor equipment:

	Warning! Risk of injury. Ignoring warnings can cause injury or damage components.
	Caution! Ignoring cautions can cause malfunctions.
	Note Important information to the section in the manual.

Power

	Warning! Risk of electric shock if touching the components! The unit operates with a 230 V AC voltage.
	Warning! Risk of electrical shock! Electrical installation and service behind secured 230 V AC covers must be carried out under the supervision of a qualified electrician.
	Warning! The Uponor system uses 50 Hz, 230 V AC power. In case of emergency, immediately disconnect the power.
	Warning! Prior to any work on the controller or the components connected to it, switch off the controller according to the regulations.

Technical constraints

	Caution! To avoid interference, keep installation/data cables away from power cables of more than 50 V.
---	---

Safety measures


Conform to the following measures when installing and operating any Uponor equipment:

- Read and follow the instructions in the installation and operation manual.

- Installation must be performed by a competent person in accordance with local regulations.
- It is prohibited to make changes or modifications not specified in this manual.
- All power supplies must be switched off before starting any wiring work.
- Do not use water to clean Uponor components.
- Do not expose the Uponor components to flammable vapours or gases.

Uponor cannot accept any responsibility for damage or breakdown that can result from ignoring these instructions.

2.2 Standards and regulations

	Note The installation must be carried out in accordance with current local standards and regulations!
---	---

Planning and designing of the heating system must be performed in accordance with applicable global and country-specific standards and guidelines

- Ensure that no aggressive substances, such as acids, lubricants, bleach, flux, strong liquid cleaning agents, contact sprays or concrete including its components, come into contact with the stainless steel manifold and manifold components.
- A water analysis is recommended for each installation. In the event of warranty claims, it is mandatory. It is essential that the heating circuits are regulated on the water side so that a sufficient hydraulic function of the individual heating circuits or the entire underfloor heating system is guaranteed!

For Combi Ports with an assembled water meter, **planning and implementation of the drinking water system** must be done in accordance with the Infection Protection Ordinance.

A few points to be high-lighted:

- Flush and disinfect the system before commissioning and handing over to the user.
- Provide the domestic hot water pipes with required thermal insulation strength.
- Insulate the drinking cold water pipes to secure that no heating in excess of the requirements takes place.

2.3 Correct disposal of this product (Waste Electrical and Electronic Equipment)

	Note Applicable in the European Union and other European countries with separate collection systems
---	---



This marking shown on the product or its literature indicates that it should not be disposed with other household waste at the end of its working life. To prevent possible harm to the environment or human health from uncontrolled waste disposal, please separate this from other types of wastes and recycle it responsibly to promote the sustainable reuse of material resources.

Household users should contact either the retailer where they purchased this product, or their local government office, for details of where and how they can take this item for environmentally safe recycling.

Business users should contact their supplier and check the terms and conditions of the purchase contract. This product should not be mixed with other commercial wastes of disposal.

3 System description

This prefabricated heat interface unit (HIU) is available in the three following versions, further customisation is available.

- 1. Uponor Aqua PORT INS:**
Handles supply of domestic water in single or multi family houses.
- 2. Uponor Combi Port INS RC:**
Handles supply of domestic water and heating in single or multi family houses while potentially measuring the heating energy.
- 3. Uponor Combi Port INS UFH (underfloor heating) with circulation and Uponor Smatrix**
Handles supply of domestic water and heating in single or multi family houses while potentially measuring the heating energy. Room temperature control is realised with the Uponor Smatrix portfolio.

In the Combi Port INS unit, the cold water is heated only when required following the flow-through principle with a high performance

plate heat exchanger made of stainless steel. This always ensures low return temperatures on the heating water. The energy is supplied by heating water with a flow temperature of at least 55 °C via the heating water flow.

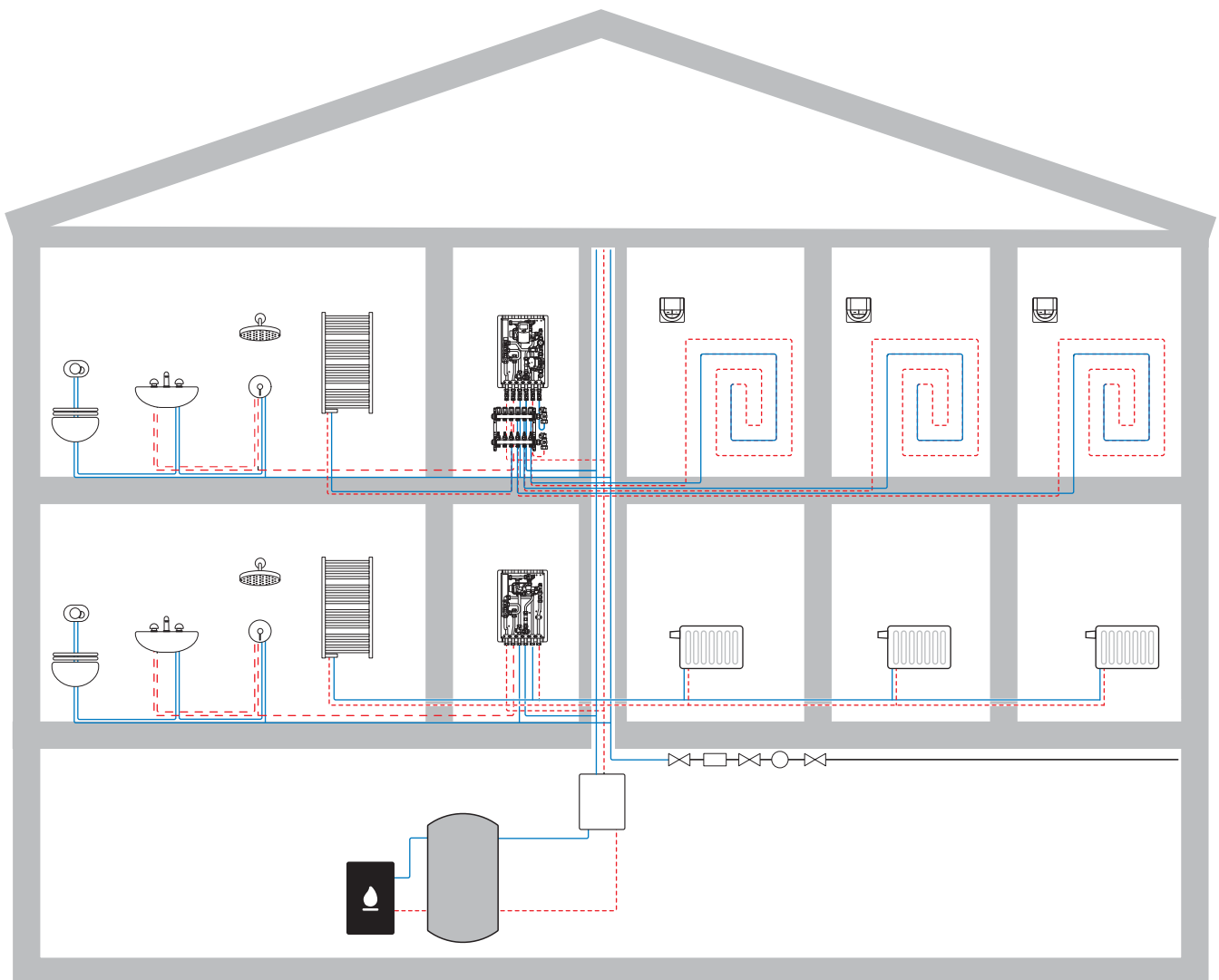
Domestic hot water:

The domestic hot water is generated only on demand. A mechanical proportional volume control valve controls the process. The valve opens only when hot water is required so heating water can flow through the heat exchanger. This ensures a constant hot water temperature. Without demand the valve is closed. No heating water flows and the heat exchanger can cool down. This is beneficial for the hygiene.

Domestic heating:

Combi Port INS independently manages the hydraulic balancing between hot water and heating. The room temperature control is carried out in the heating system.

3.1 Operating principle

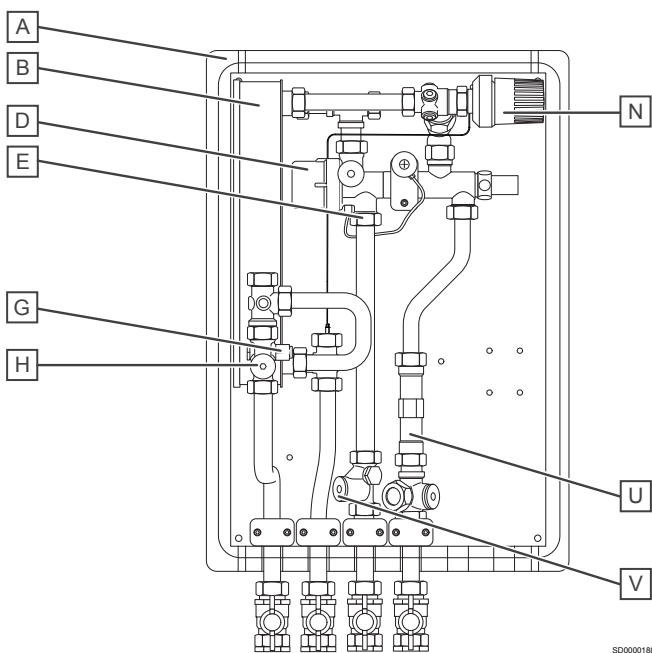


SD0000177

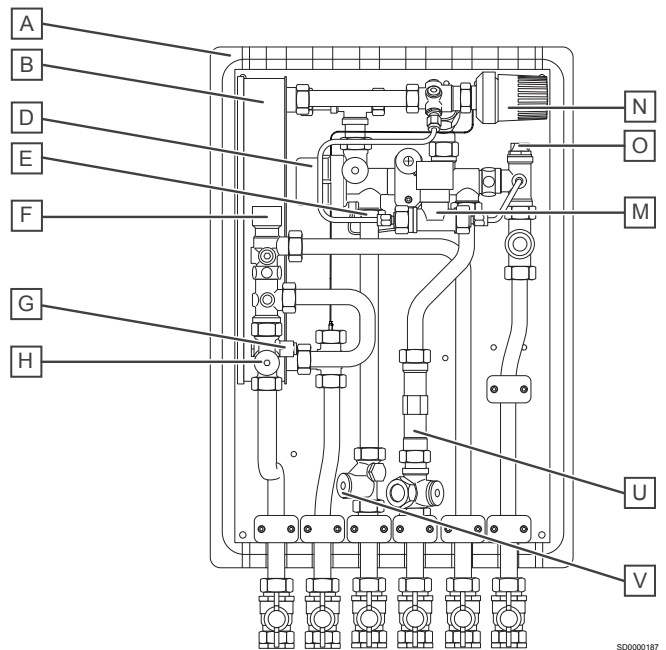
3.2 Components

Item	Description
A	EPP cover
B	Plate heat exchanger
C	Water hammer arrester
D	Proportional volume control (PM)
E	Cold water throttle disc in the screw connection
F	Zone valve for limiting heating flow to apartment
G	Sensor pocket heat meter
H	Strainer
I	Safety valve
J	Circulation pump
K	Corrugated metal pipe
L	Back flow preventer in the screw connection
M	Thermostatic lead module (TTV)
N	Thermostatic hot water temperature limiter (TWB)
O	Air vent valve
P	Uponor Smatrix Move controller
Q	Injection valve with thermal 3-point actuator
R	Back flow preventer in the screw connection
S	Differential pressure regulator
T	Heating pump
U	Heat meter distance piece
V	Strainer

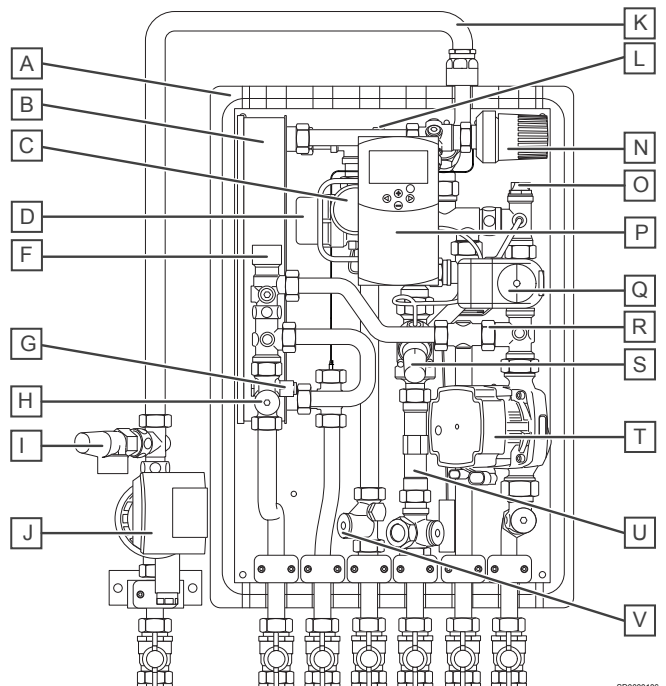
Uponor Aqua Port INS



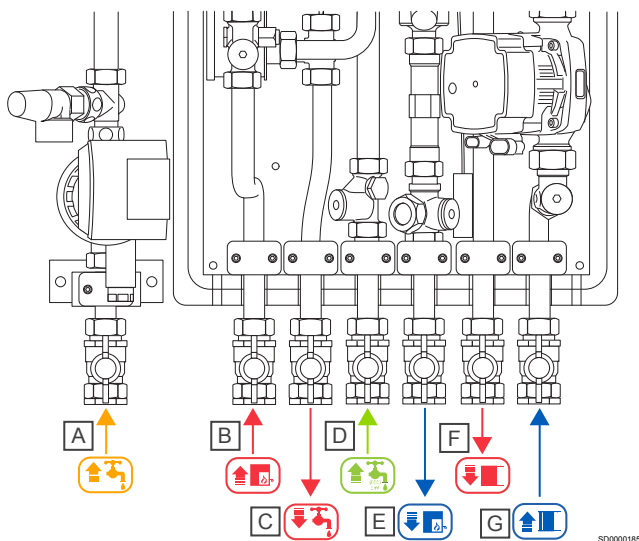
Uponor Combi Port INS RC



Uponor Combi Port INS UFH with circulation and Uponor Smatrix



3.3 Connection description



SD0000185

Item	Description
A	Warm tap water with circulation (optional)
B	Heating supply (primary)
C	Domestic hot water to apartment (DHW)
D	Cold water from riser (CW)table
E	Heating return (primary)
F	Heating supply (secondary) (optional)
G	Heating return (secondary) (optional)




3.4 Accessories

Following customer request the Combi Port INS can be altered to include extra components, for example the Uponor Smatrix Move controller with outer temperature sensor. In special cases it is even possible to deliver the unit with top connecting pipes.

Ball valve sets (with 4 or 6 ball valves) are also available.

4 Prepare for installation

4.1 General information

	<p>Warning!</p> <p>The fittings are under pressure. Escaping pressurized media can cause serious injury such as scalding or eye damage.</p> <p>Depressurise the system before performing any installation work.</p> <p>For retrofits to an existing system:</p> <p>Drain the system or close the supply lines of the section and depressurise it.</p>
	<p>Warning!</p> <p>Risk of injury due to the heavy weight of the unit:</p> <p>Do not perform the installation alone.</p> <p>Always wear safety shoes during the assembly. The unit can be of considerable weight, depending on the configuration. If the station falls over, this could lead to injuries, particularly to the feet.</p>
	<p>Caution!</p> <p>Leaks in the unit may occur during transport or installation. Check the nuts to ensure that they are properly tightened before the connection to avoid property damages.</p>

Before installing the heat interface unit ensure that:

- the primary pipes are laid in the building site.
- the primary pipe installation is flushed and checked for leaks
- the power and ground cables are routed to the installation site.
- the unit is installed in a dry and frost-free room with an ambient temperature lower than +40 °C.
- the unit is mounted upright (not inclined, upside down or lying down).
- the unit is always easy to access even after the assembly.

4.2 Water analysis

A water analysis of the tap water must be checked before using the device. The limit values can be found in our technical information. The heating water quality must be in accordance to VDI 2035. In case of warranty claims, the report must be presented.

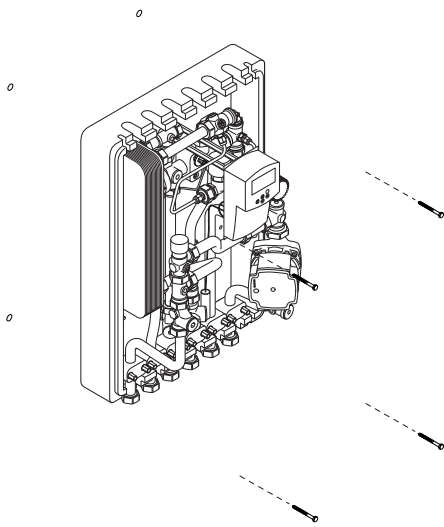
5 Installation

Note
The installation must be carried out in accordance with current local standards and regulations!

5.1 Mount HIU on the wall

Note
Consider the height from the floor surface to ensure that there is space left for the installation of underfloor heating manifold.

Note
Pay attention to the horizontal alignment.



1. Mark where to drill the holes.
2. Drill the holes.
3. Fix the HIU to the wall using the provided material.

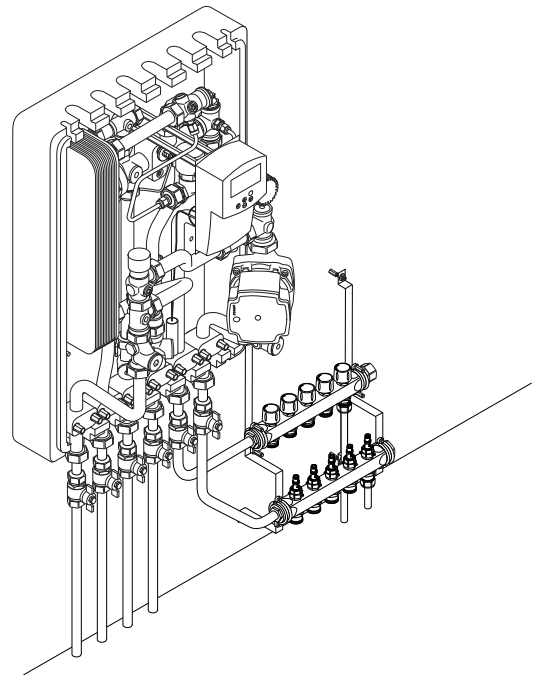
5.2 Connecting the unit

Warning!
Leaking connections can cause personal injury and property damages.

Note
The installation must be carried out in accordance with current local standards and regulations!

Note
Install the pipes in accordance with planning documentation.

Note
Check the tightness of the screwed connections after the installation is complete.



SD0000191

Connect the primary supply lines with the corresponding 3/4" ball valves at the HIU.

5.3 Electrical installation

Warning!
Required electrical connections and installations, commissioning and maintenance must only be performed by an authorised person in accordance with local standards and regulations.

Warning!
Establish equipotential bonding by using a copper equipotential bonding conductor (cross-section at least 6 mm²). Connect the earthing clamp to a suitable equipotential bonding rail in the building.

Note
See the relevant component supplier documentation and Uponor wiring diagram before connecting the component.

Connect the HIU as follows:

1. Connect the HIU electrically
2. Connect optional room control if applicable

6 Operation

6.1 Cold water throttle disc

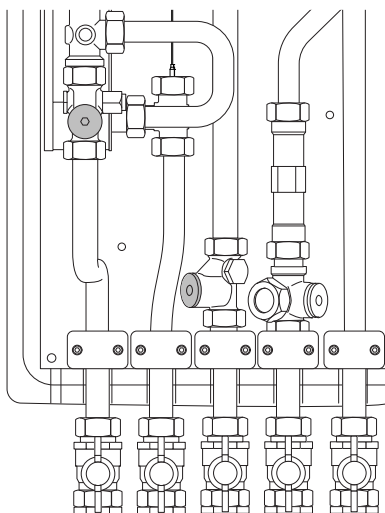
- Note**
Pay attention to the flow direction when replacing the throttle disc!
- Note**
The installed cold water throttle disc can be replaced by a corresponding throttle disc if required (see table below). The colour indicates the maximum inserted volume flow.

The throttle disc limits the amount of cold water to the heat exchanger and prevents the hot water supply from exceeding the calculated volume.

Flow regulator insert colour	l/min
Black	6
White	8
Orange	9
Blue	10
Red	12
Green	15
Brown	17
Black	19
Purple	22

6.2 Strainer

- Caution!**
Lock the unit and relieve the pressure before any work with the strainer.

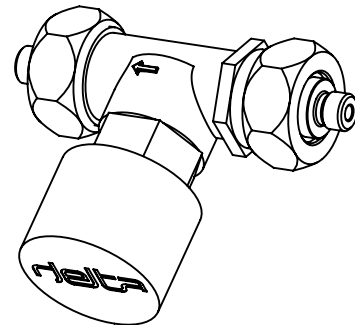


The strainer collects dirt and its filter can be removed for inspection and cleaning.

6.3 Thermostatic lead module (TTV)

- Note**
The valve flow can also change by connecting to the capillary pipe Ø 6 mm.
- Note**
A too high value can cause the heating water return temperature to rise.
- Note**
A too low maintenance temperature setting can lead to longer waiting times when preparing domestic hot water.

Set the TTV line temperature to approximately **15 K** below the network flow temperature.



CD0000429

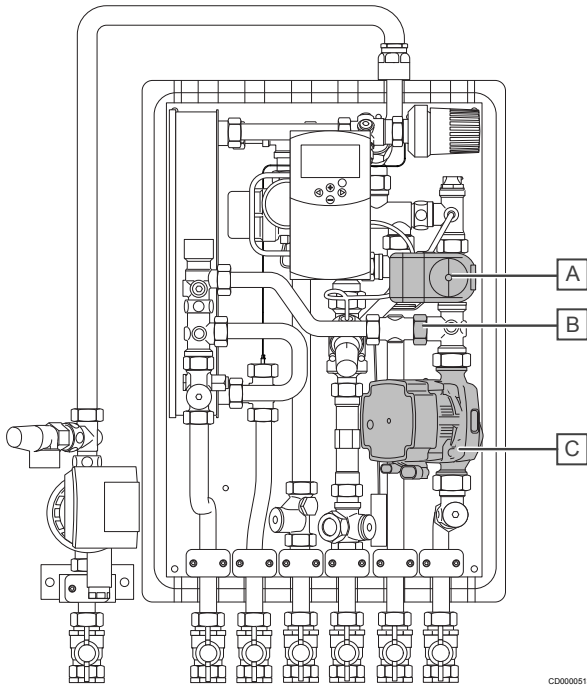
The thermostatic temperature lead module (TTV) serves the heat retention function of the supply line. It is used on units last or in greater distance from the main line and prevents the risers from cooling down when not dispensing.

The valve is adjustable and the setting range is printed on the cap. The temperature is measured by a sensor inside the valve.

General information	Value
Kvs value	1,55
Max. heating operating pressure	10 bar (PN 10)
Hysteresis	+/- 2-3 K
Kvs value	5
Threaded connection	2 x 3/4" FT - conic with cone transitions

6.4 Mixing module

- Note**
Please read the installation manual from the pump manufacturer.



Item	Description
A	Injection valve with thermal 3-point actuator (optional with thermostatic regulation valve - default setting 7)
B	Back flow preventer in the screw connection
C	Heating pump UPM3 15-50, 5m

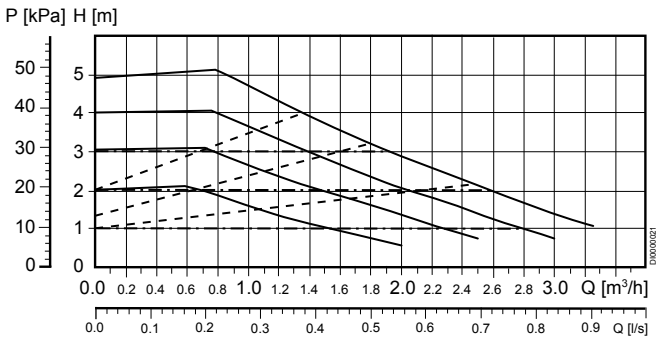
The Uponor Combi Port INS unit has an injection circuit. Its heating pump powers the flow of heating water.

Scale value	1	2	3	4	5	6	7
Flow temp. 20-50 °C	20	25	30	35	40	45	50

Heating pump

Note
Please read the installation manual from the pump manufacturer.

Constant values Δp-c UPM3 15-50, 5 m



Changing the pump settings

Note
It is recommended that the pump runs at constant pressure when used for underfloor heating. The factory setting of the pump is not set to constant pressure and must therefore be changed

The pump (Grundfos UPM3) has to be set to the constant pressure modus (Δp-c) to enable an optimal operation of the underfloor heating system.

The settings are done on the pump house as described below.

Pump settings

Note Leave the pump on the selected program. It goes back into operation automatically and has saved the settings.					
Enable setting	Press and hold, sec	Factory setting		Underfloor heating constant pressure	Step
	4		2 x		1
	4		3 x		2
	4		4 x		3

Pump effect

EEI ≤ 0.20 Part 3	Value
Speed	P ₁ [W]
Min.	2
Max.	33

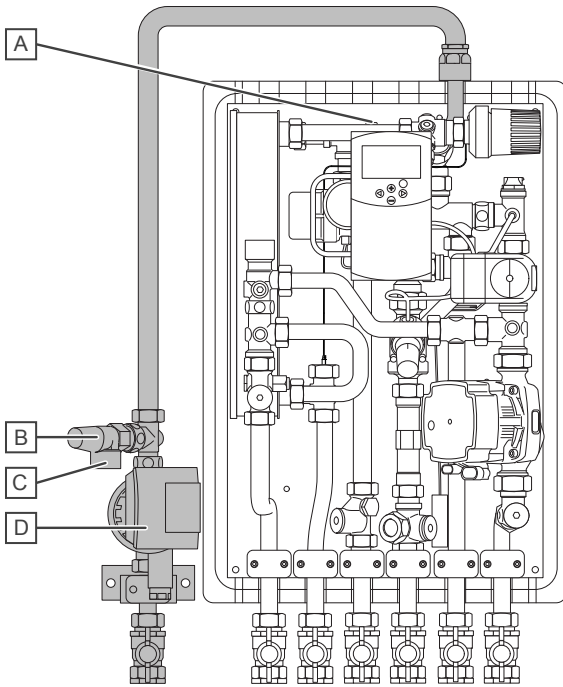
Pump operation

Display view	Operation settings
	0 % ≤ P ₁ ≤ 25 %
	25 % ≤ P ₁ ≤ 50 %
	50 % ≤ P ₁ ≤ 75 %
	75 % ≤ P ₁ ≤ 100 %

Pump alarms

Display view	Alarm status
	Blocked
	Low voltage
	Electrical fault

6.5 Circulation (optional)



CD0000511

Item	Description
A	Back flow preventer in the screw connection
B	Safety valve
C	Safety valve flushing pipe
D	Circulation pump

Safety valve

Warning!

Never block the flushing pipe from the safety valve!

Note

Check the function of the safety valve at minimum once a year.

The HIU is equipped with a safety valve to protect the heating system from rising pressure. The safety valve is a part of the optional circulation line.

The opening pressure is pre-set to **3.0 bar**.

Circulation pump

Note

See the documentation from the circulation pump supplier as well as relevant Uponor wiring diagrams before connecting the pump.

6.6 Heat meter distance piece

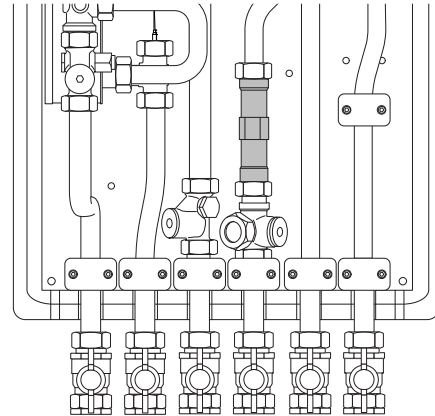
Note

The distance pieces are not suitable for continuous operation.

Note

The heat meter to be installed must have following specifications: $Q_n = 1,5$ 1,5-2 seconds. Construction length of **110 mm** and $\frac{3}{4}$ " external threaded connection.

A sensor pocket M10x1 is available for the flow sensor. When delivered, you must remove the plug with a hexagon socket wrench (6 mm).



CD0000510

6.7 Thermostatic hot water temperature limiter (TWB)

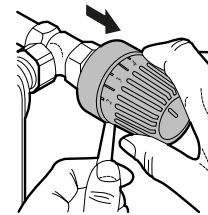
A maximum temperature limitation of the domestic hot water is achieved through a thermostatically controlled hot water limiter.

Scales	1	2	3	4	5	6	7	8
WW temp. (35-70 °C)	35	40	45	50	55	60	65	70

Change default settings

Caution!

Make sure not to bend or break the capillary line.



S1000286

The thermostat is equipped with a pin that limits the temperature to 60 °C (setting 6). To remove the pin push it out with a strong wire in axial direction.

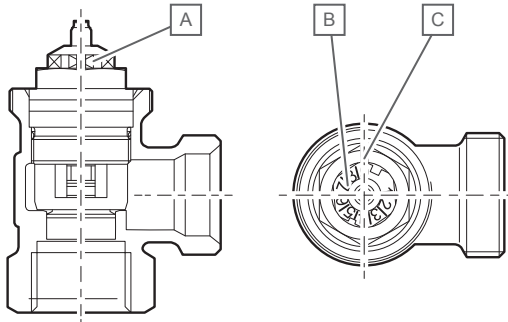
6.8 Injection valve with thermal 3-point actuator

Note

It is possible to change the valve setting during operation; the water will not escape.

Note

The required setting value must correspond to the marking. The default setting between 1-9 can be selected. Factory default settings = 7.

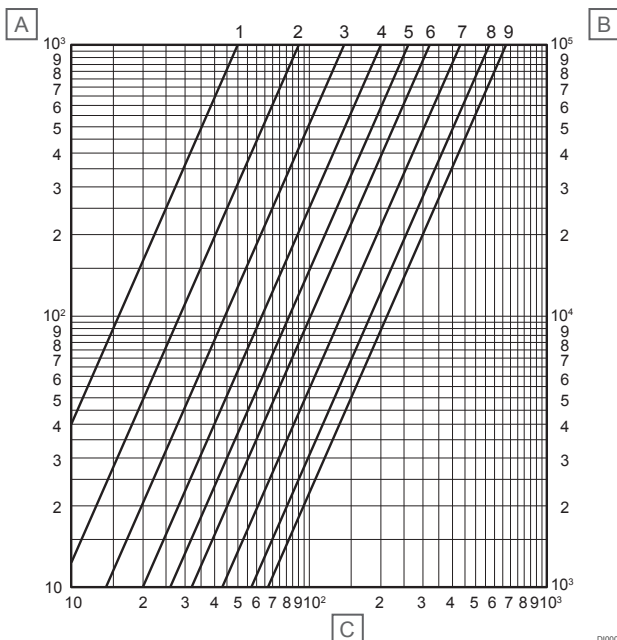


CD0000254

Item	Description
A	Hexagonal 13 mm
B	Setting value
C	Mark

The domestic heating circuit can be adjusted with the regulating zone valve. This valve has a threaded connection (30 x 1,5) for a 2-point actuator.

Change setting value



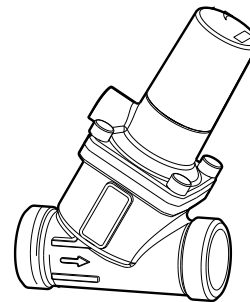
DI0000125

Item	Description
A	Pressure loss Δp [mbar]
B	Pressure loss Δp [Pascal]
C	Mass flux [kg/h]

Pre-setting	1	2	3	4	5	6	7	8	9
Kv value / 2 K P deviation	0,05	0,09	0,14	0,20	0,26	0,32	0,43	0,57	0,67

Adjust from default setting to the desired value using a hexagonal (SW 13 mm) open-ended spanner, or with a special key.

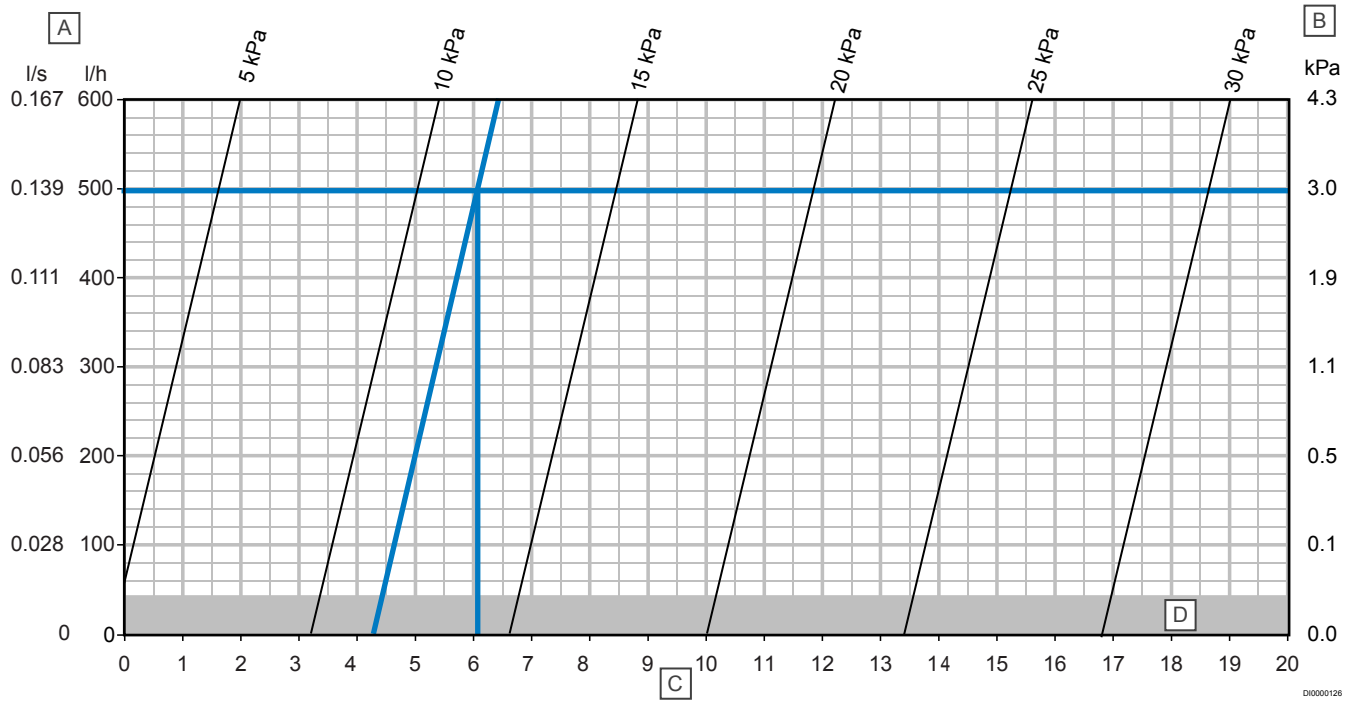
6.9 Differential pressure regulator



CD0000283

The differential pressure regulator is optional for assembly in the line and protects other control valves, such as the proportional volume control from the excessive differential pressure that otherwise could cause the fitting to overflow.

Description	Value
Kvs value	2.9 m ³ /h
Setting range	50-300 mbar (default 300 mbar)
Max. flow volume	3000 kg/h at 300 mbar. Heat resistant up to 80 °C with insulating shells
Ball valve	DN32 MT with pulse power connection, SFE tap and measuring connection (without insulating shells)
Pulse lead	length 1 m with screw connections



Item	Description
A	Mass flow rate
B	Pressure loss regulator
C	Preset [no of turns]
D	Out of mass flow zone

7 Maintenance

7.1 General information

Important information

To ensure the correct and safe operation of the system, this information must be read and followed.

Following these instructions will help avoid hazards and downtime and increase the reliability and life of the system.

A visual inspection of the port unit is required every 3 to 6 months.

Function and energy savings

The heat interface unit is a compact station that can operate in a system with several units or as a supplement to an existing heating system. It is assigned to a residential unit and is used to measure and control central heating and heating of the water.

The heat interface unit combines:

- water heating in the flow system via a plate heat exchanger (water heating is controlled without auxiliary energy)
- the metering of the energy consumption for central heating and hot water
- heating control in the apartment with hydraulic balancing and energy saving by ECO-mode.

Hot water is only prepared when needed. Service water is not stored. This is one of the most convenient ways to heat fresh water. This enables dispensing of large amounts of hot water. Restrictions are only imposed by the central heating.

Water heating

	Caution!
	All water pipes are filled and pressurised.

The cold water supply for the apartment is provided via the central house connection and distribution line.

The heat interface unit is equipped with a central shut-off ball valve for cold water (D). As an option there is a shut-off ball valve for installation purposes.

All ball valves should be exercised (open-close) at regular intervals (about once per month).

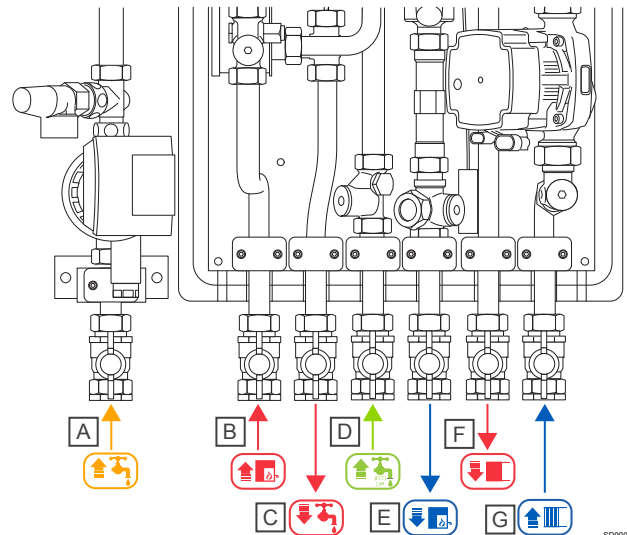
The ball valves (C) and (D) should only be closed for assembly/disassembly reasons.

Water hygiene

Although the water system follows the flow principle, which is the most hygienic method of water heating, the water pipes should always be flushed if not used for a longer period.

The tapping duration should then be around 1-2 minutes. The water must be allowed to run at least every 7 days for about 1-2 minutes.

7.2 Turning off heat interface unit



Ball valves B, D and E must be closed in the event of a malfunction.

Item	Description
A	Warm tap water with circulation (optional)
B	Heating supply (primary)
C	Domestic hot water to apartment (DHW)
D	Cold water from riser (CW)
E	Heating return (primary)
F	Heating supply (secondary) (optional)
G	Heating return (secondary) (optional)

If the system is to be shut down for a longer period:

1. Shut off the cold water (ball valve D). Do not close ball valves B, E, F and G.
2. Protect the port unit against frost.
3. At return, let the hot water run for about 5 minutes at start up.

7.3 Setting log HIU

Date:		Setting log heat interface units											
Site:		Type:					Serial no:						
Component	Description										Setting range	Factory setting	Set on site
Set zone valve for the flow rate	Setting value	1	2	3	4	5	6	7	8	9	1-9	7	
	Kv value / 2 K P deviation	0,05	0,09	0,14	0,20	0,26	0,32	0,49	0,57	0,67	continuous		
TWB	The thermostatic hot water temperature limiter, infinitely adjustable downwards										35-70 °C	6	
	Scale value 35-70 °C	1	2	3	4	5	6	7	8		(limited to 60 °C)		
	Hot water temperature	35 °C	40 °C	45 °C	50 °C	55 °C	60 °C	65 °C	70 °C				
TTV	Thermostatic lead module (TTV), capillary 6 mm, Kvs 1,55										35-60 °C	45 °C	
DRG	Differential pressure regulator the heating circuit										300 mbar	300 mbar	

Other components/devices

Component	Description	Type	Comment
Heat exchanger		GKE 228H-24 Plates	
		GKE 228H-40 Plates	
Installer, signature:	Installer, in capital letters:	Service partner:	

8 Troubleshooting

8.1 Fault description

Fault description	Cause	Solution
Hot water function		
Hot water temperature too low or fluctuating	Central heating	
	Buffer temperature too low	Buffer temperature must be 5-10 K above hot water setpoint
	Heating circuit pump type not supported	Check the central heating pump
	Setting for heating circuit pump is not correct	Heating circuit pump setting: Constant pressure
	Pump performance too low	Check the pump performance
	Mixing valve faulty	Check the mixing valve function
	Setting for heating circuit control is not correct	Check the heating circuit control setting
	Heating circuit control faulty	Check the heating control function
	Air trapped in buffer storage	Vent buffer storage tank
	Cold water pressure too low / too high	Cold water pressure at unit: Min. 2 bar, Max. 4 bar
	Heat interface unit	
	Strainer in primary flow dirty	Clean the strainer in the primary flow
	Insufficient differential pressure	Clean the capillary of the differential pressure control, check if differential pressure control is working
	Air in the system	Vent/flush the system
	Insufficient heating volume flow passes through the heat exchanger	Check the volume flow using heat meters
Heat meter type not supported	Use heat meter type with Qn 1,5 ultrasound	
Insufficient heating volume flow	Increase differential pressure	
Heat exchanger dirty	Clean the heat exchanger	
Thermostatic hot water temperature limiter setting is not correct:	Check the thermostatic hot water temperature limiter (if installed) is working and correctly set	
Proportional volume control does not switch over	Replace the proportional volume controller	
Waiting time for hot water is too long	Check the pump setting in the central heating system	Pump setting: Constant pressure
	The temperature setting on the thermostatic lead module (TTV) is too low	Increase the temperature setting on the thermostatic lead module (TTV) or in the line
	The capillary on the thermostatic lead module (TTV) is dirty	Clean the capillary on the thermostatic lead module (TTV) or in the line
	No thermostatic lead module (TTV) available	Retrofit the thermostatic lead module (TTV) or line
Noise generation		
Noise generated in the station	Pipe clamps too tight	Loosen the pipe clamps
	Cold water throttle disc is dirty	Clean the cold water throttle disc
Noise generated in the PM valve	Noise generated via a third route	Replace the inductor disc, spring and locking ring using are placement kit for PM valves, 3rd route
Heating function		
Heating system does not heat up	General	
	Supply temperature too low at the heat source	Check the supply temperature at the heat source
	Volumetric flow rate is too low	Check the fittings in the device
	Check the heat meter type	The heat meter type must be Qn 1,5
	Air trapped in buffer storage	Vent the buffer storage tank
	Insufficient differential pressure	Clean the capillary of the differential pressure control, check the differential pressure control is working
	Air in the system	Vent/flush the system
	Radiator supply	
	Supply flow rate too low / too high	Check the zone valve setting

Fault description	Cause	Solution
	Room temperature control is not correct	Check the setting for the room temperature controller
	Strainer is dirty	Clean the strainer
	Room temperature controller does not work correctly	Check the wiring for the room temperature controller
	Actuator appears not to work	Actuator closed without current. Connect actuator to zone valve electrically
	Radiator thermostatic valves or return screw connections closed	Check the thermostatic valves and return screw connections on the radiators
No hot water and no heating	Ball valves closed	Open ball valves
	Central heating circuit pump not working	Check that the central heating circuit pump is working and correctly set
	Central strainer is dirty	Clean the central strainer
	Heating system is not working correctly	Check the heating system
	Buffer storage tank is not filled	Check the buffer storage tank filling

9 Technical data

9.1 Technical specifications

HIU (as applicable)	Value
Medium	Heating water according to VDI 2035
Operating temperature	5-90 °C
Max. operating pressure	10 bar
Differential pressure primary heating	0,6 bar
Min. pressure tap water	2,5 bar

Material (as applicable)	Value
Fittings, Tap water	CW617N
Fittings, Heating	CW617N, CW614N
Seals	According to DVGW KTW, W270
Plate heat exchanger	1.4404
Soldering	Copper, vacinox
Pipes	1.4404

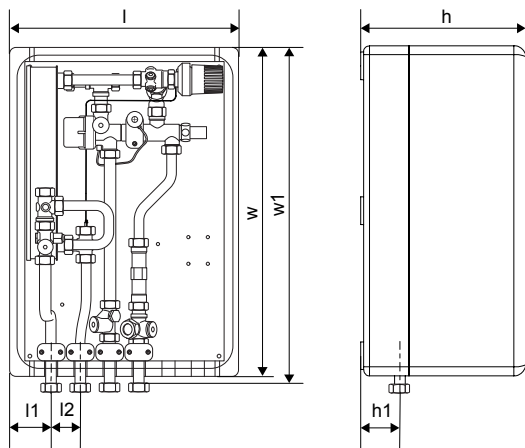
9.2 Dimensional drawings

Note

The following illustrations show example set-ups. Individual modules may vary in appearances.

Z measurements drawings (ZMD)

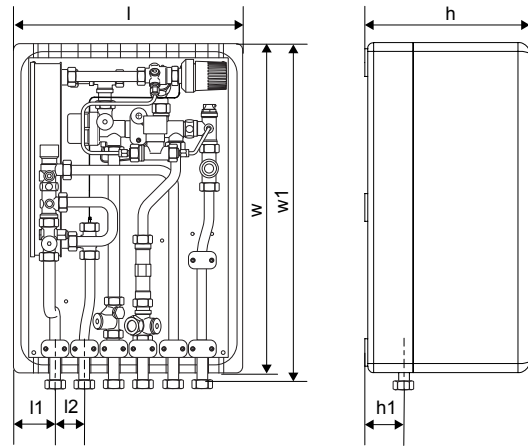
Uponor Aqua Port INS



ZD0000072

l	l1	l2	w	w1
390 mm	70 mm	50 mm	560 mm	578 mm
h	h1			
280 mm	67 mm			

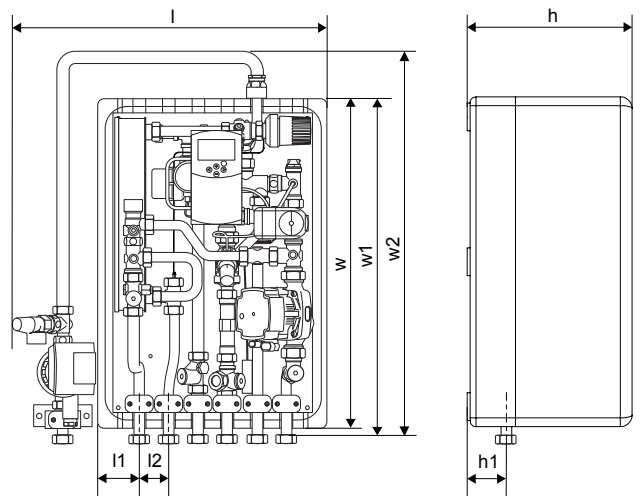
Uponor Combi Port INS



ZD0000071

l	l1	l2	w	w1
390 mm	70 mm	50 mm	560 mm	578 mm
h	h1			
280 mm	67 mm			

Uponor Combi Port INS UFH with circulation and Uponor Smatrix

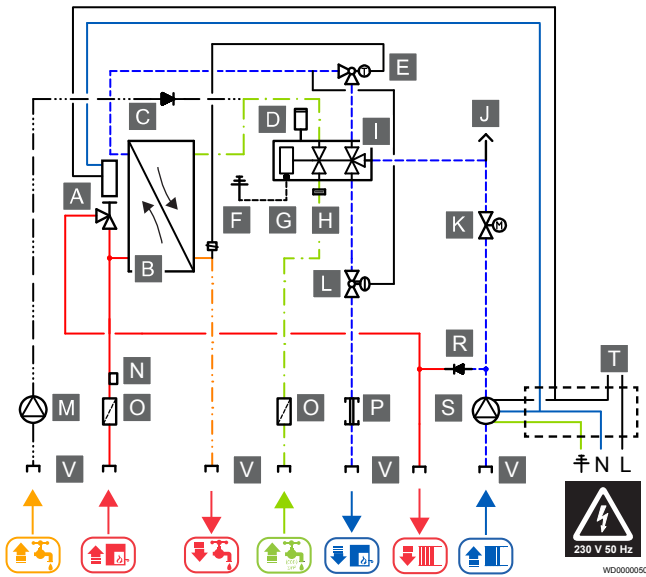


ZD0000070

l	l1	l2	w	w1
430 mm	70 mm	50 mm	560 mm	578 mm
w2	h	h1		
678 mm	280 mm	67 mm		

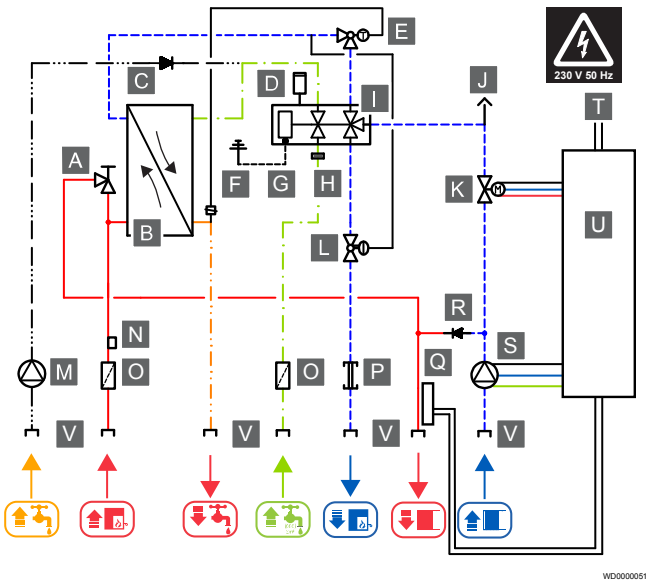
9.3 Hydraulic schemes

Uponor Combi Port INS UFH with Uponor Smatrix Wave



Item	Description
A	Zone valve
B	Heat exchanger
C	Back flow preventer
D	Water hammer arrester
E	Thermostatic hot water temperature limiter (TWB)
F	Earthing on site
G	Equipotential bonding connection
H	Throttle disc
I	Proportional volume control (PM)
J	Venting screw
K	Zone valve (optional with thermal 3-point actuator)
L	Differential pressure regulator
M	Circulation pump
N	Sensor pocket
O	Strainer
P	Heat meter distance piece
Q	Supply temperature sensor Uponor Smatrix Move
R	Back flow preventer
S	Heating pump
T	Uponor Smatrix Wave
U	Uponor Smatrix Move
V	Swivel nut

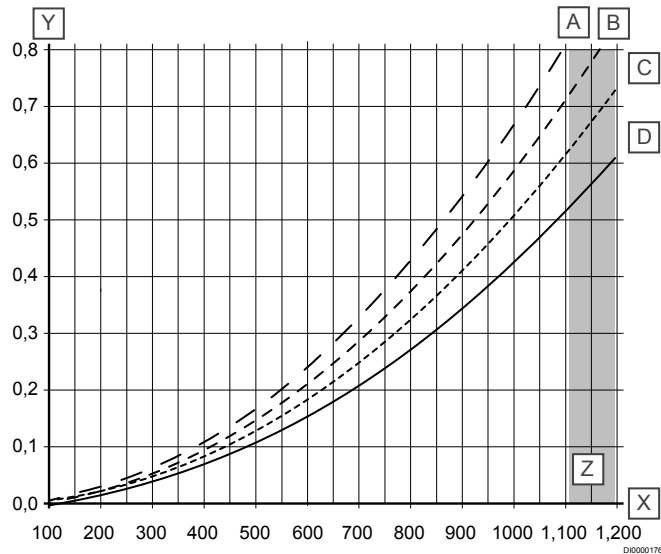
Uponor Combi Port INS UFH with Uponor Smatrix Move



9.4 Performance curves

228H - 24 plates

Heating side (primary)

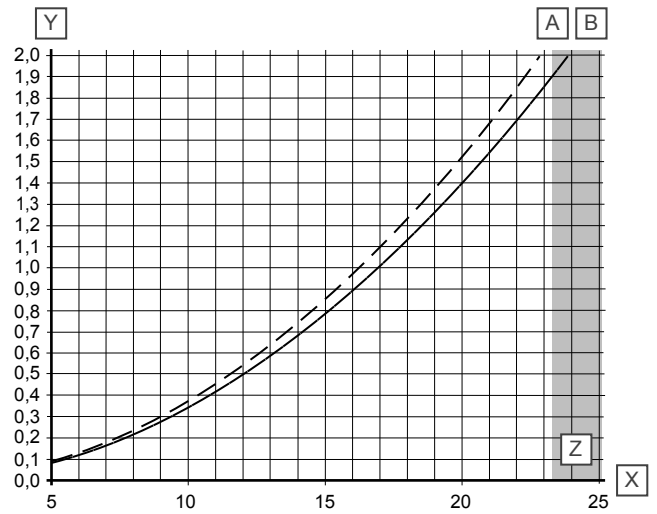


Item	Description
X	Primary heating demand in litres/hour (l/h)
Y	Pressure loss in bar
Z	Max range

Item	Description
A	HIU with differential pressure regulator and TWB - kvs = 1,22
B	HIU with TWB - kvs = 1,31
C	HIU with differential pressure regulator - kvs = 1,40
D	HIU - kvs = 1,53

Pressure losses including ball valve. Additional pressure losses, e.g. heatmeter with **Qn 1.5** of approximately **0.05 bar** and other internal/external fixtures must be added.

Domestic hot water side (secondary)



Item	Description
X	Tapping capacity in litres/minute (l/min)
Y	Pressure loss in bar
Z	Max range

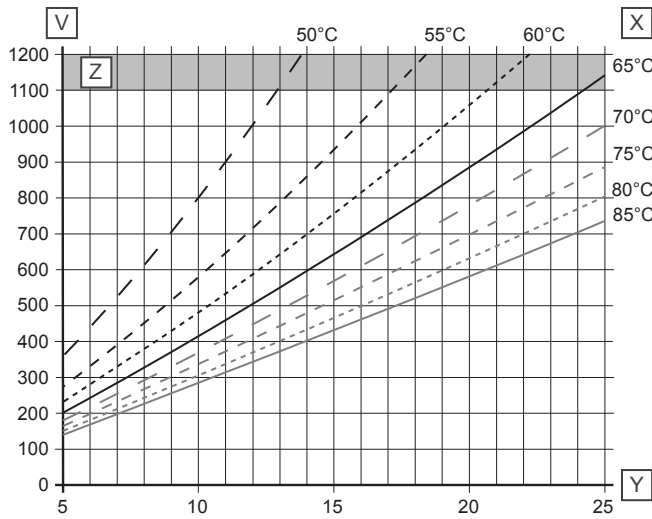
Item	Description
A	HIU without throttle disc, including TWB - kvs = 0,97
B	HIU without throttle disc - kvs = 1,01

Pressure losses at the throttle disc must be added to the calculation.

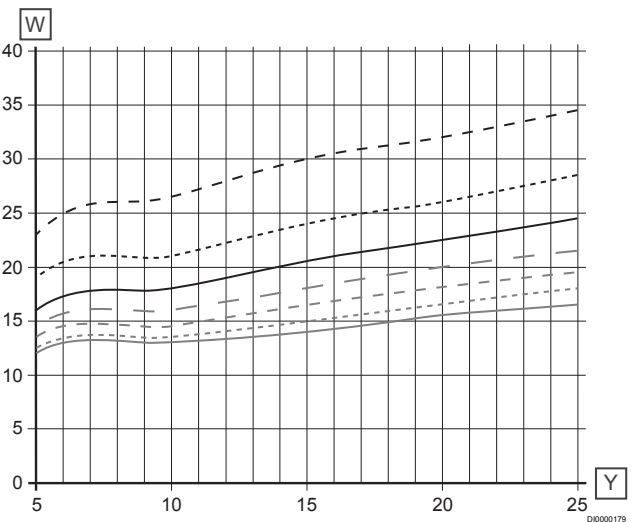
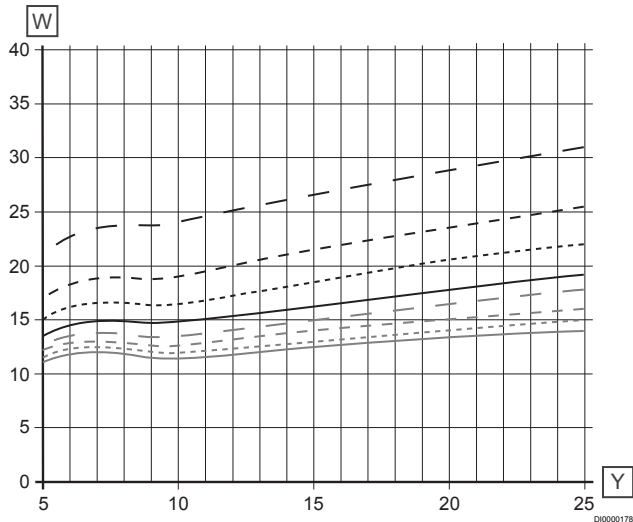
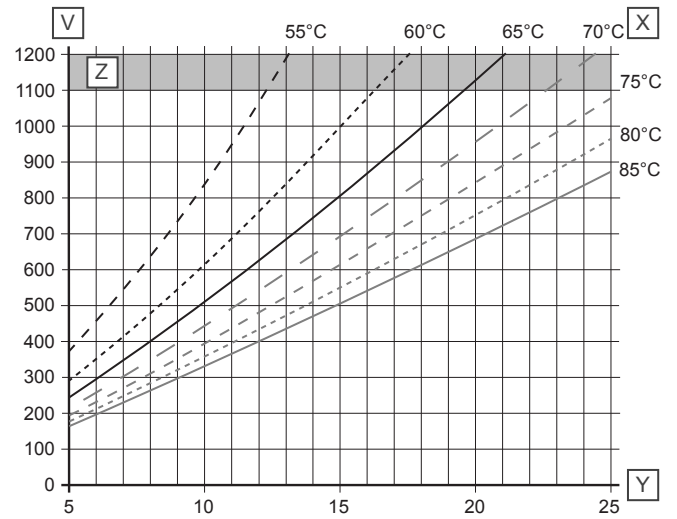
- 10 l/min = 0.65 - 0.85 bar
- 12 l/min = 0.68 - 0.88 bar
- 15 l/min = 0.70 - 0.90 bar
- 17 l/min = 0.75 - 0.95 bar
- 19 l/min = 1.00 - 1.20 bar

Performance curves and return temperatures

Cold water warming 35 K (10-45 °C)



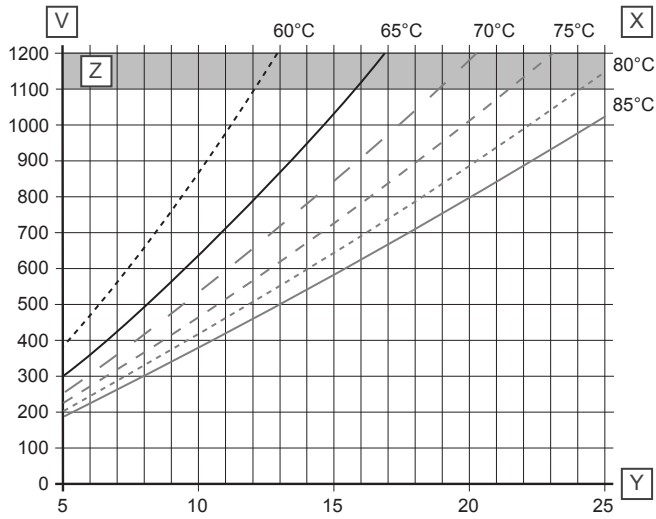
Cold water warming 40 K (10-50 °C)



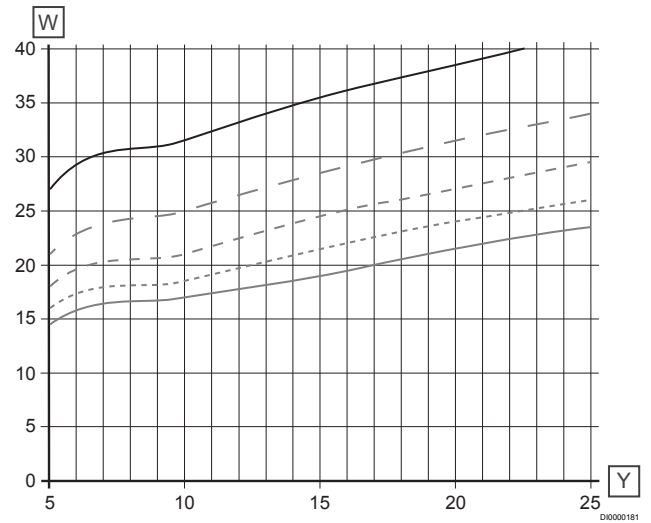
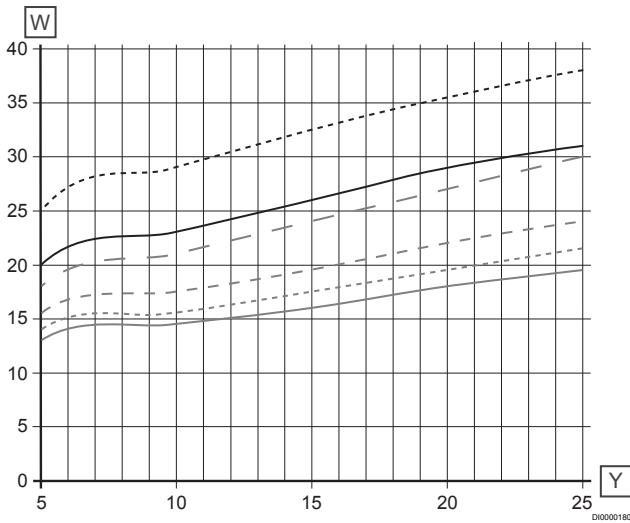
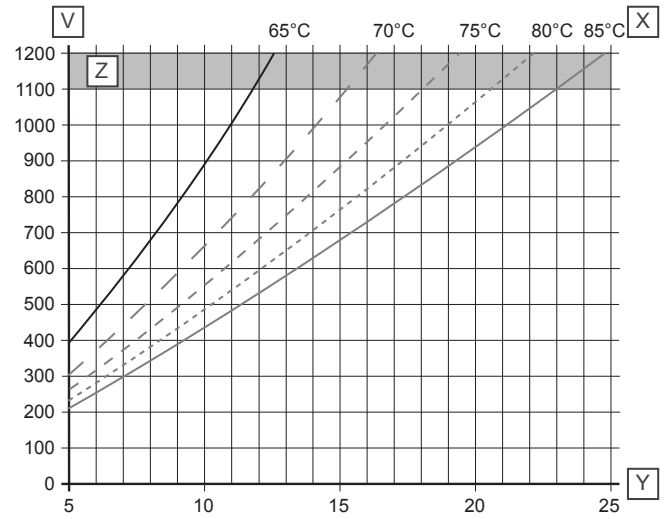
Item	Description
V	Primary heating demand in litres/hour (l/h)
W	Return temperature °C
X	Primary heating supply temperatures
Y	Tapping capacity in litres/minute (l/min)
Z	Max range

Item	Description
V	Primary heating demand in litres/hour (l/h)
W	Return temperature °C
X	Primary heating supply temperatures
Y	Tapping capacity in litres/minute (l/min)
Z	Max range

Cold water warming 45 K (10-55 °C)



Cold water warming 50 K (10-60°C)

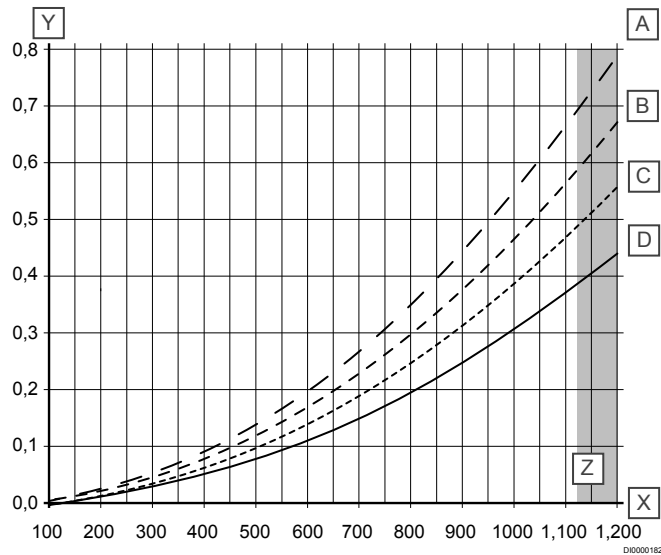


Item	Description
V	Primary heating demand in litres/hour (l/h)
W	Return temperature °C
X	Primary heating supply temperatures
Y	Tapping capacity in litres/minute (l/min)
Z	Max range

Item	Description
V	Primary heating demand in litres/hour (l/h)
W	Return temperature °C
X	Primary heating supply temperatures
Y	Tapping capacity in litres/minute (l/min)
Z	Max range

228H - 40 plates

Heating side (primary)

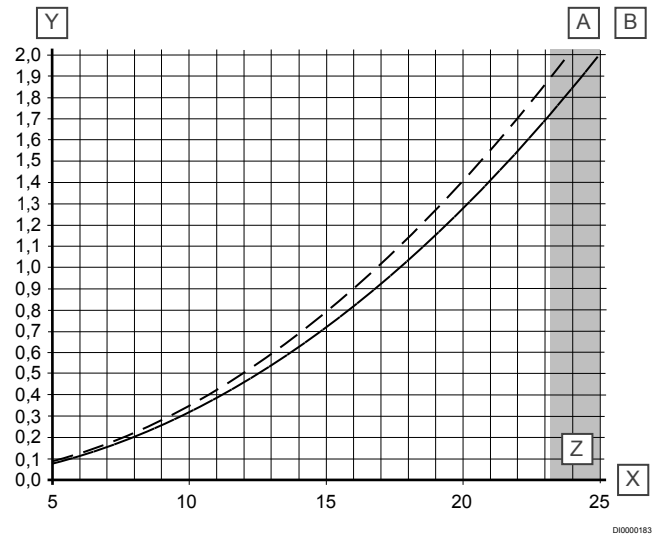


Item	Description
X	Primary heating demand in litres/hour (l/h)
Y	Pressure loss in bar
Z	Max range

Item	Description
A	HIU with differential pressure regulator and TWB - kvs = 1,35
B	HIU with TWB - kvs = 1,47
C	HIU with differential pressure regulator - kvs = 1,61
D	HIU - kvs = 1,81

Pressure losses including ball valve. Additional pressure losses, e.g. heatmeter with **Qn 1.5** of approximately **0.05 bar** and other internal/external fixtures must be added.

Domestic hot water side (secondary)



Item	Description
X	Tapping capacity in litres/minute (l/min)
Y	Pressure loss in bar
Z	Max range

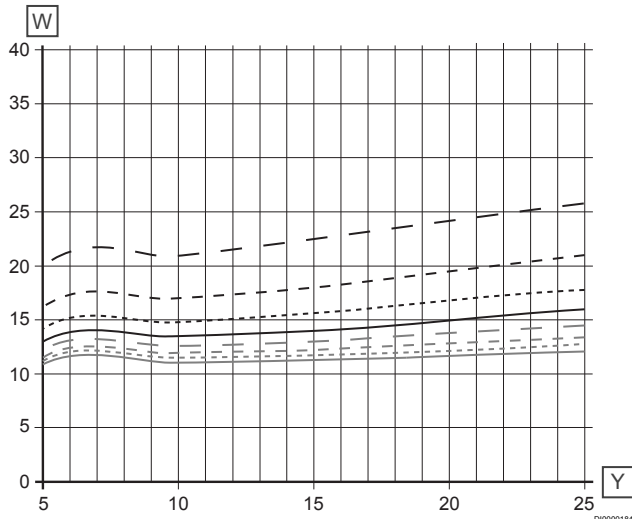
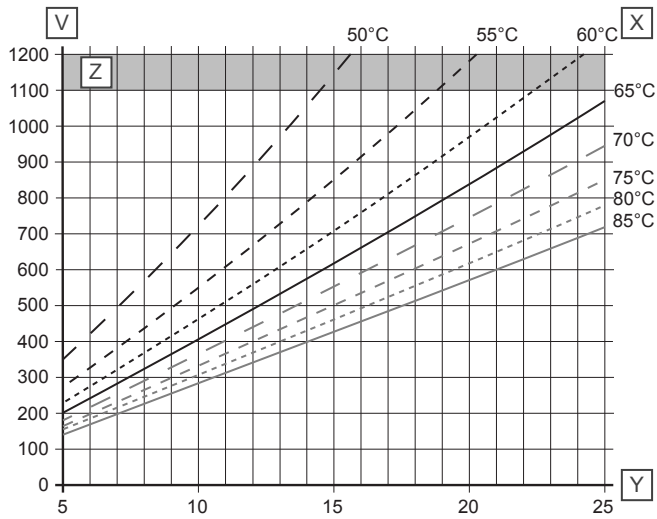
Item	Description
A	HIU without throttle disc, including TWB - kvs = 1,01
B	HIU without throttle disc - kvs = 1,06

Pressure losses at the throttle disc must be added to the calculation.

- 10 l/min = 0.65 - 0.85 bar
- 12 l/min = 0.68 - 0.88 bar
- 15 l/min = 0.70 - 0.90 bar
- 17 l/min = 0.75 - 0.95 bar
- 19 l/min = 1.00 - 1.20 bar

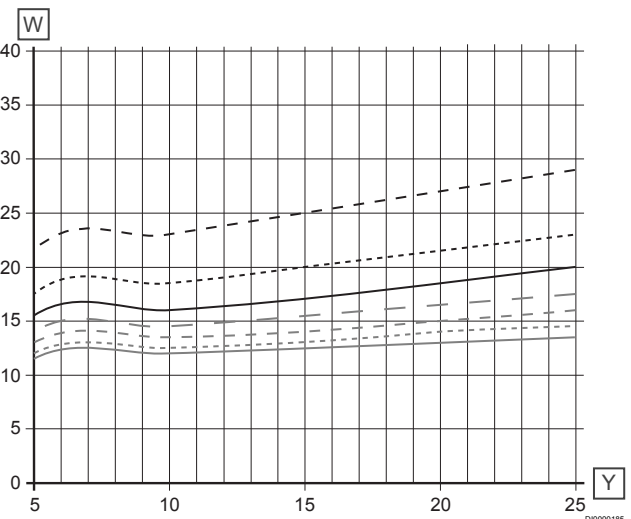
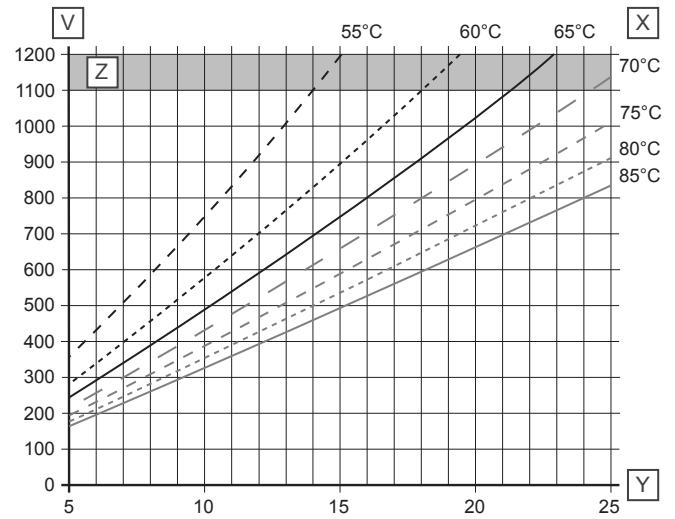
Performance curves and return temperatures

Cold water warming 35 K (10-45 °C)



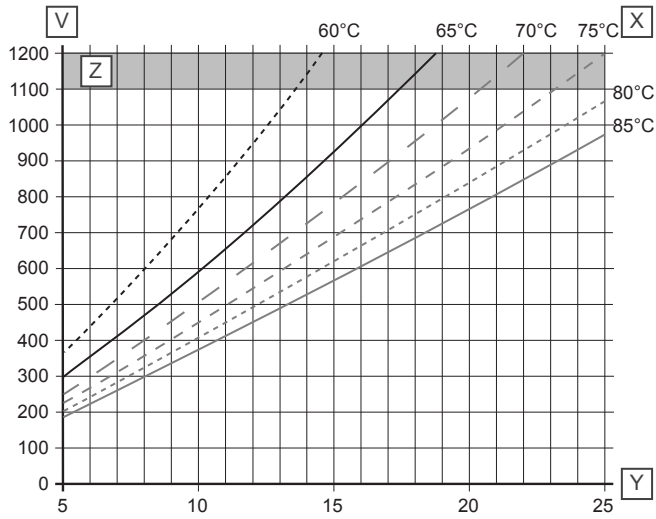
Item	Description
V	Primary heating demand in litres/hour (l/h)
W	Return temperature °C
X	Primary heating supply temperatures
Y	Tapping capacity in litres/minute (l/min)
Z	Max range

Cold water warming 40 K (10-50 °C)

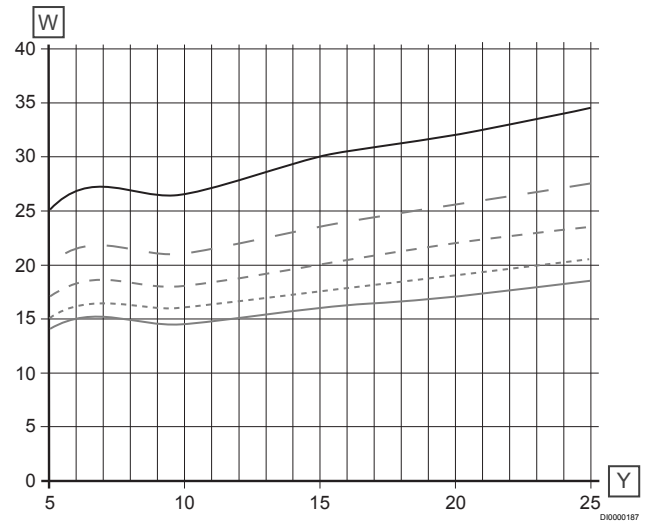
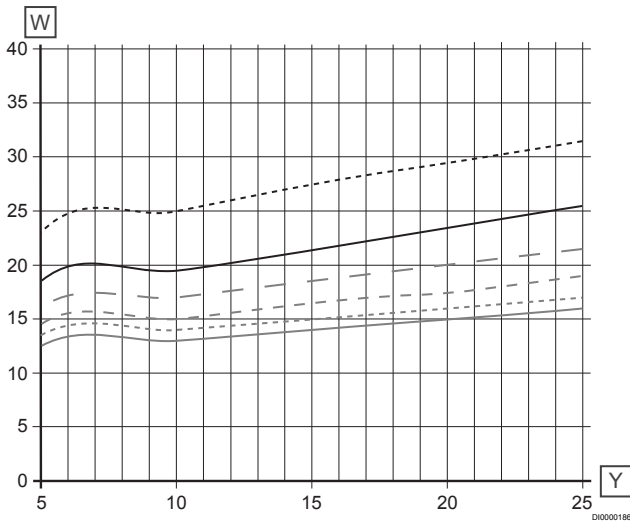
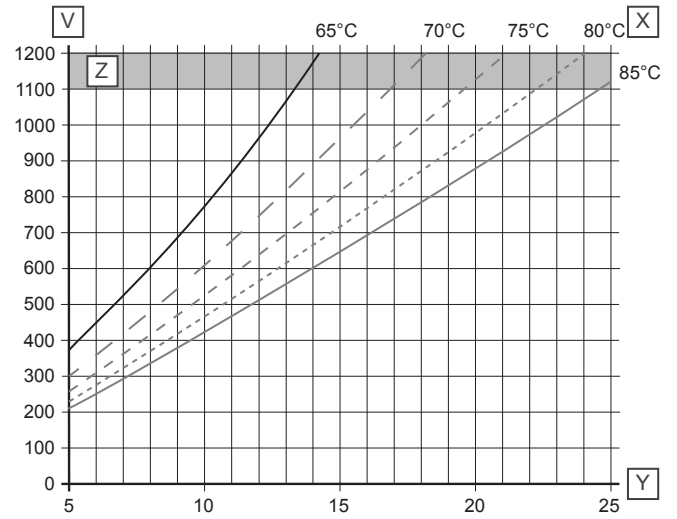


Item	Description
V	Primary heating demand in litres/hour (l/h)
W	Return temperature °C
X	Primary heating supply temperatures
Y	Tapping capacity in litres/minute (l/min)
Z	Max range

Cold water warming 45 K (10-55 °C)



Cold water warming 50 K (10-60°C)



Item	Description
V	Primary heating demand in litres/hour (l/h)
W	Return temperature °C
X	Primary heating supply temperatures
Y	Tapping capacity in litres/minute (l/min)
Z	Max range

Item	Description
V	Primary heating demand in litres/hour (l/h)
W	Return temperature °C
X	Primary heating supply temperatures
Y	Tapping capacity in litres/minute (l/min)
Z	Max range

Uponor

Uponor GmbH

Industriestraße 56,
D-97437 Hassfurt, Germany

1121211 v1_08_2021_EN
Production: Uponor/DCO

Uponor reserves the right to make changes, without prior notification,
to the specification of incorporated components in line with its policy of
continuous improvement and development.



www.uponor.com