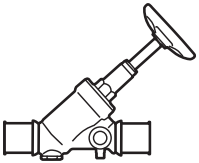
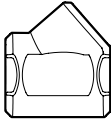
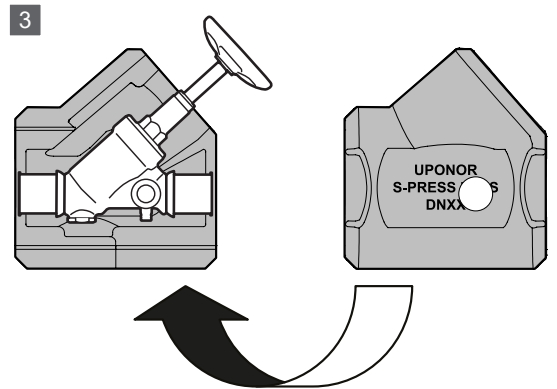
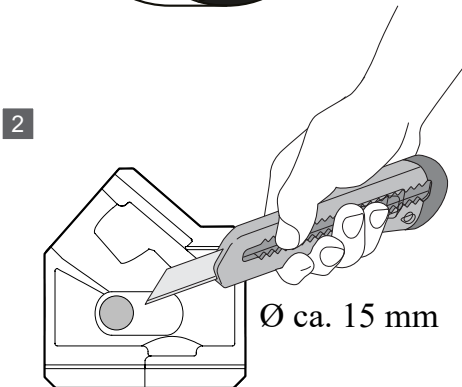
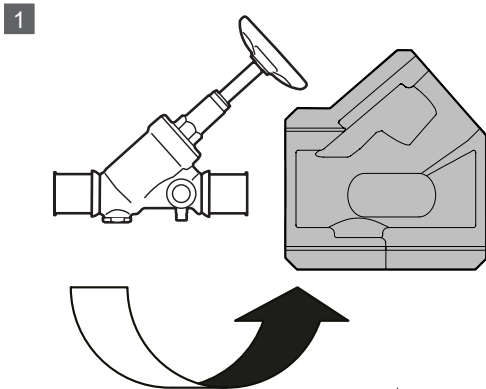


Uponor S-Press PLUS insulation shell DN20, DN25, DN32, DN40



 d [mm]	 d [mm]
20	20
25	25
32	32 / 40
40	32 / 40



SI0000630

Uponor GmbH

Industriestraße 56,
D-97437 Hassfurt, Germany

1140198 v1_04_2023_INT
Production: Uponor/DCO

Uponor reserves the right to make changes, without prior notification, to the specification of incorporated components in line with its policy of continuous improvement and development.

