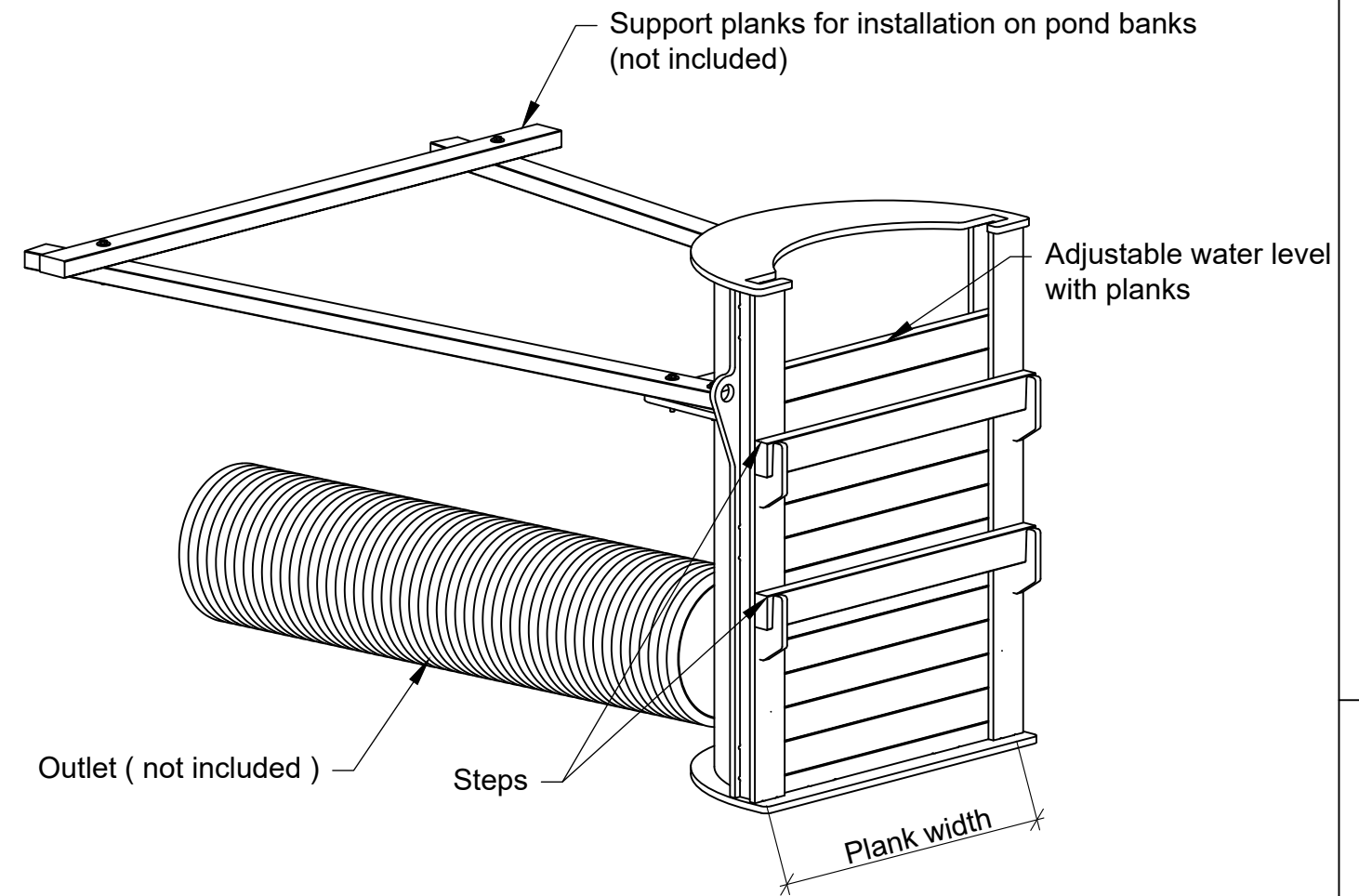
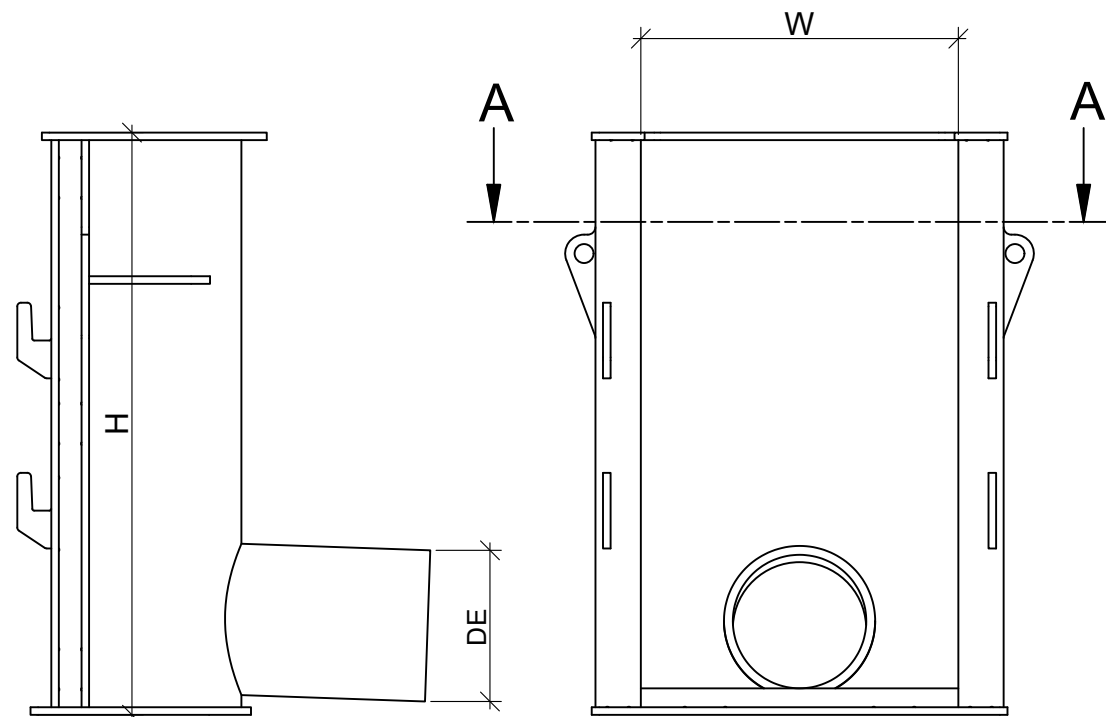


# Uponor Stormwise Level regulator chamber M2

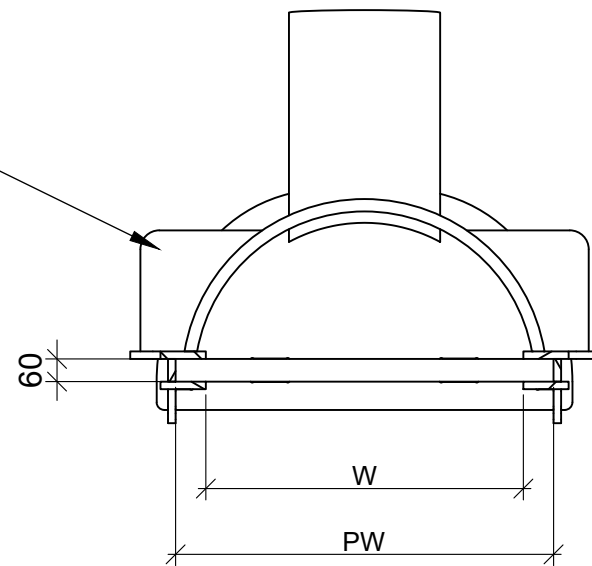
Ponds and water bodies

Flow direction →



A-A

Fastening plates for support planks



Height: H= \_\_\_\_\_ mm

### Outlet pipe

- |                              |                               |
|------------------------------|-------------------------------|
| IQ-pipe                      | Weholite                      |
| <input type="checkbox"/> 300 | <input type="checkbox"/> 520  |
| <input type="checkbox"/> 400 | <input type="checkbox"/> 600  |
| <input type="checkbox"/> 500 | <input type="checkbox"/> 800  |
| <input type="checkbox"/> 600 | <input type="checkbox"/> 1000 |
| <input type="checkbox"/> 800 |                               |

|  | W    | PW Plank width |
|--|------|----------------|
|  | 840  | 980            |
|  | 1040 | 1180           |
|  | 1240 | 1380           |
|  | 1440 | 1580           |

- The support planks are bolted to the fastening plates and buried underground during installation to stabilize the chamber.
- The height of the water level is adjusted by adding planks to the desired level
- Planks and bolts are not included in delivery

|                                   |                |            |
|-----------------------------------|----------------|------------|
| CASE NUMBER                       | DRAWN BY       | HANDLED BY |
|                                   | ---            | ---        |
| DATE                              | CONTACT PERSON |            |
| 31.01.2023                        | ---            |            |
| CONTENT                           |                |            |
| Level regulator chamber for ponds |                |            |
| SCALE                             | NUMBER         |            |
| 1:20 (A3)                         | 1138354-M2     |            |