

4

3

2

1

F

F

E

E

D

D

C

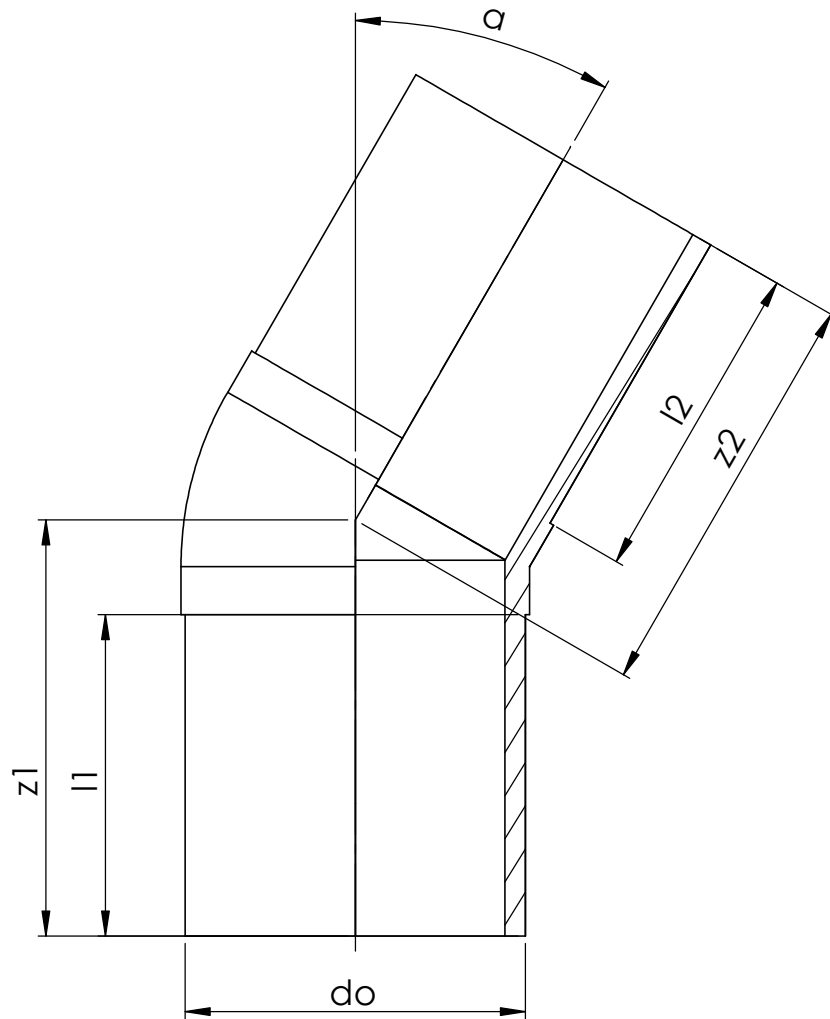
C

B

B

A

A



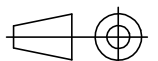
Item	Size	do	l1	l2	z1	z2	$\alpha$
1072509	90x30	90	85	85	110	110	30°
1068414	110x30	110	95	95	130	130	30°
1068415	140x30	140	103	103	144	144	30°
1068416	160x30	160	116	116	155	155	30°
1068417	200x30	200	125	125	175	175	30°
1068418	225x30	225	133	133	188	188	30°

**Uponor**

Description  
INFRA  
Mounting dimensions  
Pressure elbow 30° PN10 SDR17  
Cold fittings

Drawing number  
Z\_Pressure\_elbow\_30\_deg\_PN10\_SDR17

Sheet: 1/1



4

3

2

1