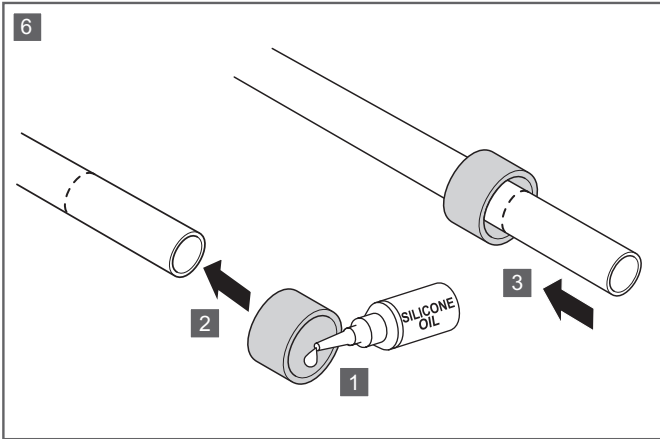
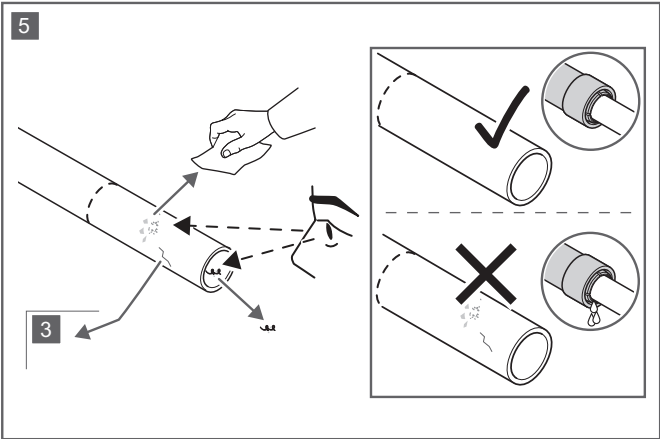
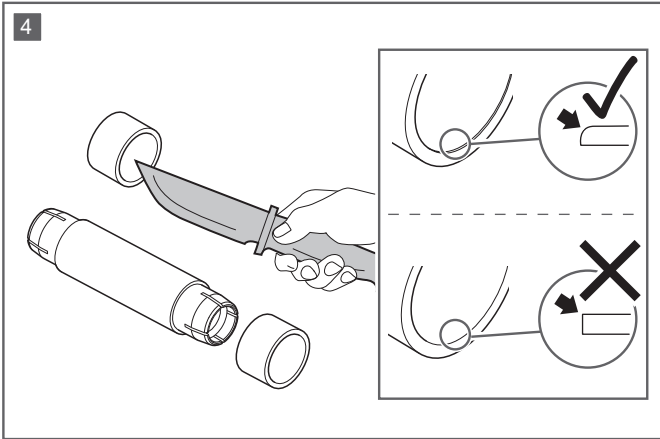
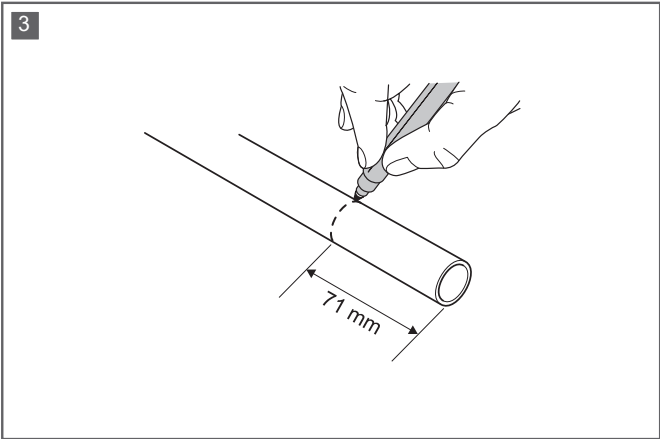
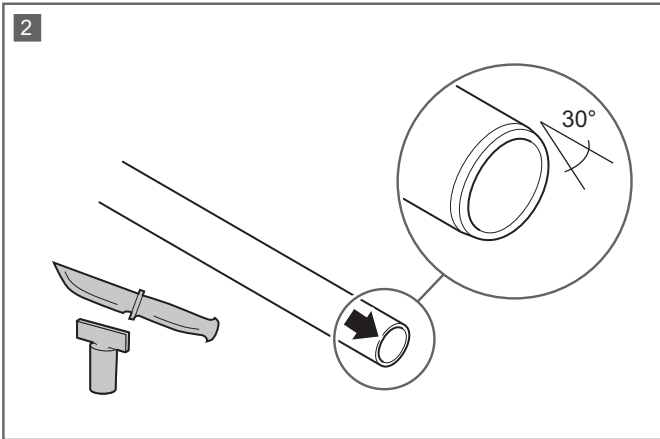
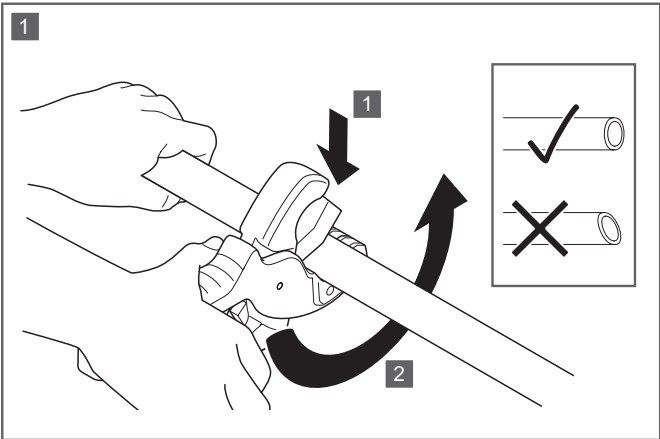
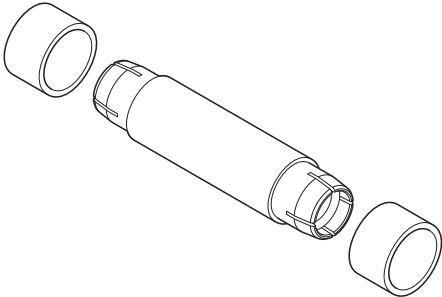
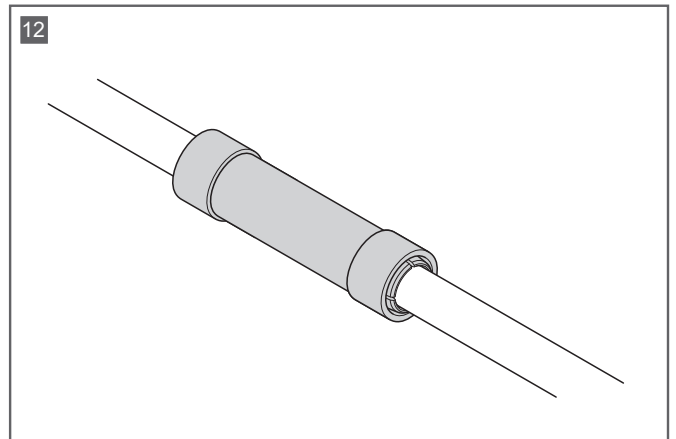
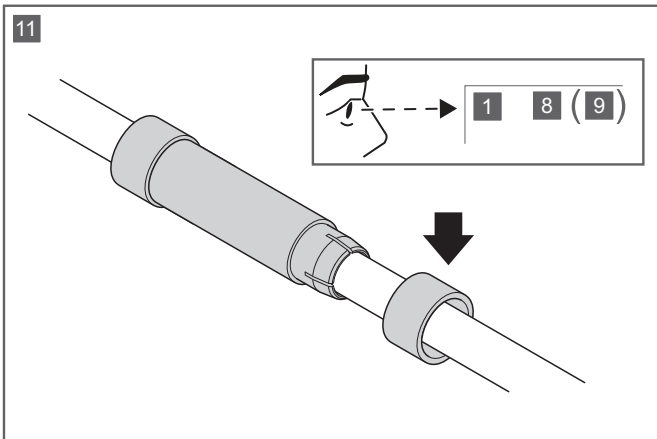
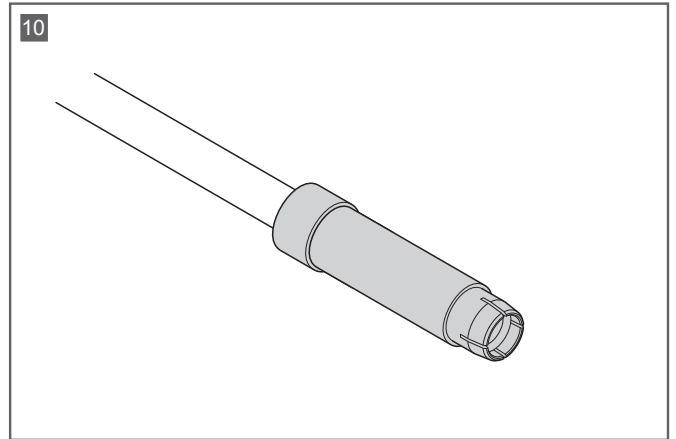
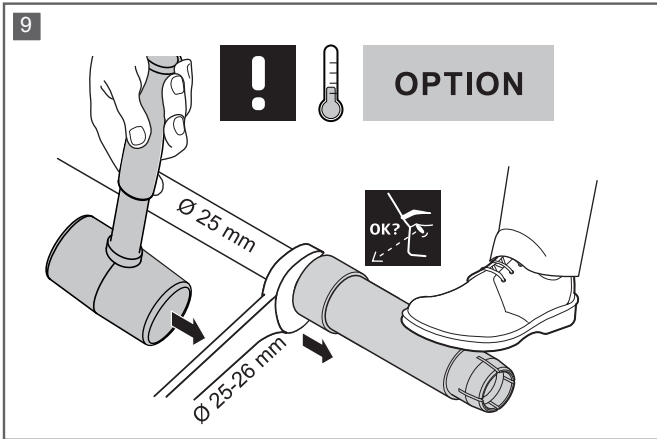
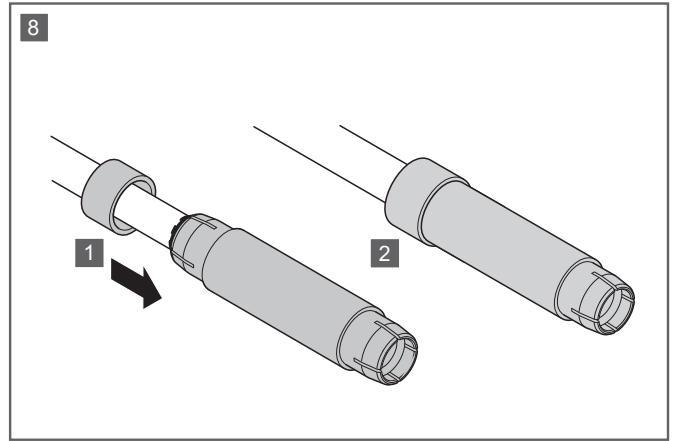
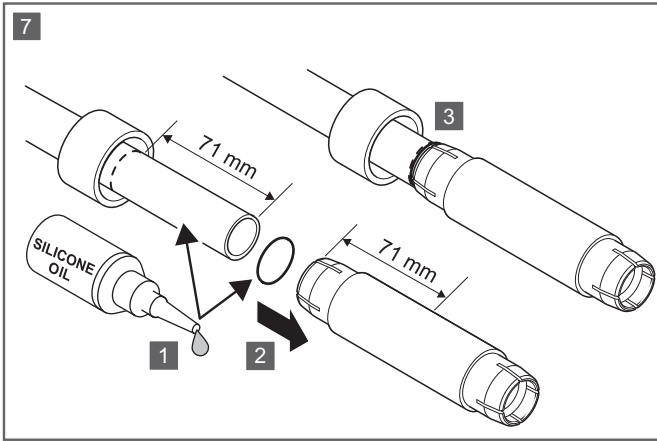


Uponor Meltaway coupling





Uponor GmbH
 Industriestraße 56,
 D-97437 Hassfurt, Germany

1121541. 05_2021 INT
 Production: Uponor / ELO

Uponor reserves the right to make changes, without prior notification, to the specification of incorporated components in line with its policy of continuous improvement and development.



www.uponor.com