

4

3

2

1

F

F

E

E

D

D

C

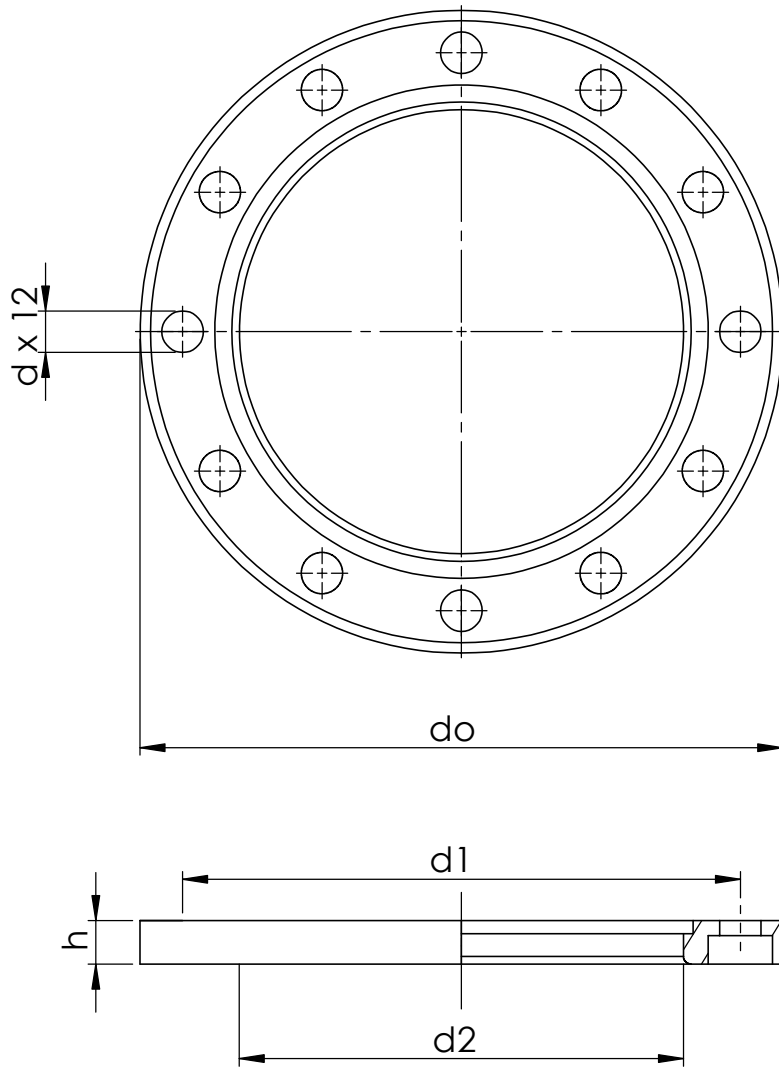
C

B

B

A

A



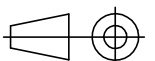
Item	Size (flange/collar)	d	Bolt size	d1	d2	d _o	h	Operating pressure (max)
1068680	200/200	22	M20	295	235	340	23	16
1068681	200/225	22	M20	295	238	340	23	16
1068682	250/250	26	M24	355	288	405	29	16
1068683	250/280	26	M24	355	294	405	29	16
1068684	300/315	26	M24	410	338	460	34	16

Uponor

Description
INFRA
Mounting dimensions
Pressure flange PN16 EPOX
Flanges

Drawing number
Z_Pressure_flange_DN200_300_PN16_EPOX

Sheet: 1/1



4

3

2

1