

## Uponor MLCP RED 14 – 16 mm



16 mm  
S-Press PLUS  
S-Press PLUS PPSU

14 mm  
MLCP RED press coupling

14 mm Vario compression  
adapter MLCP RED

16 mm Uni-X compression  
adapter MLC

Uponor MLCP RED



14 – 16 mm

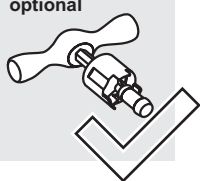


$d_a$ [mm]	$R_{min}$ [mm]
14	70
16	80

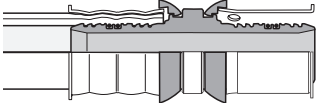
$d_a$ [mm]	$R_{min}$ [mm]
14	56
16	64



**optional**

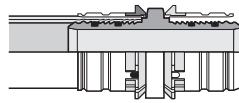


16 mm

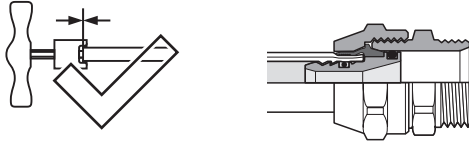


S-Press PLUS  
S-Press PLUS PPSU

14 mm



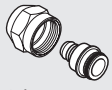
MLCP RED  
press coupling



14 mm Vario compression adapter MLCP RED  
16 mm Uni-X compression adapter MLC

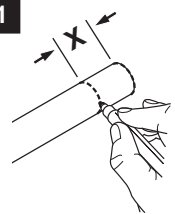


14 – 16 mm



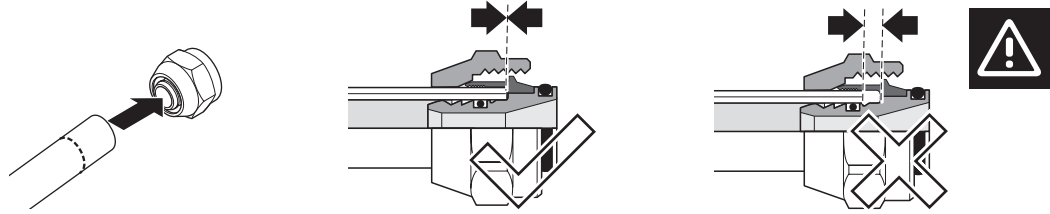
Metal

**1**

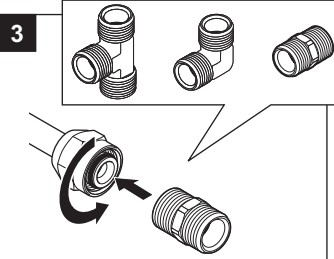


Fitting dim.	X [mm]
14 – 3/4"	10
16 – 3/4"	10

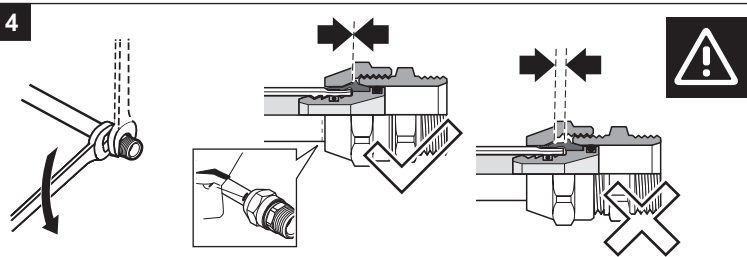
**2**



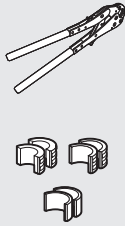
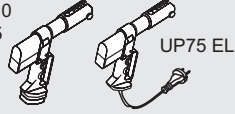



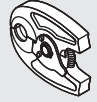
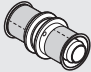
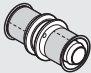

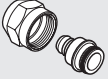
**3**

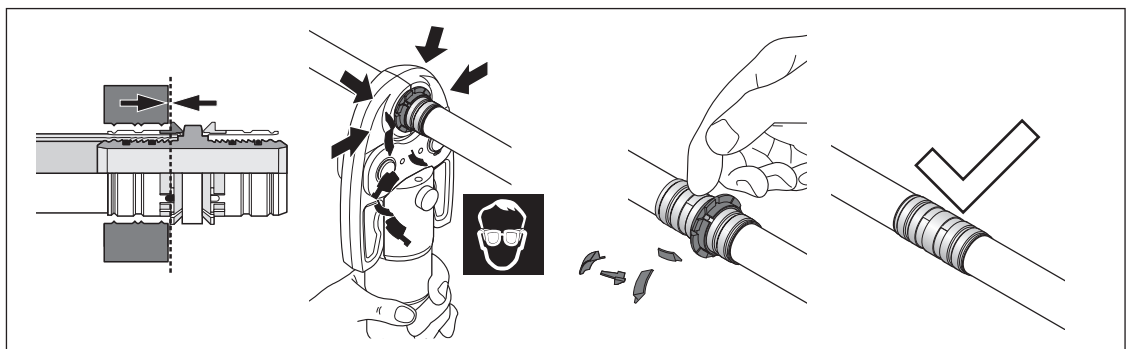
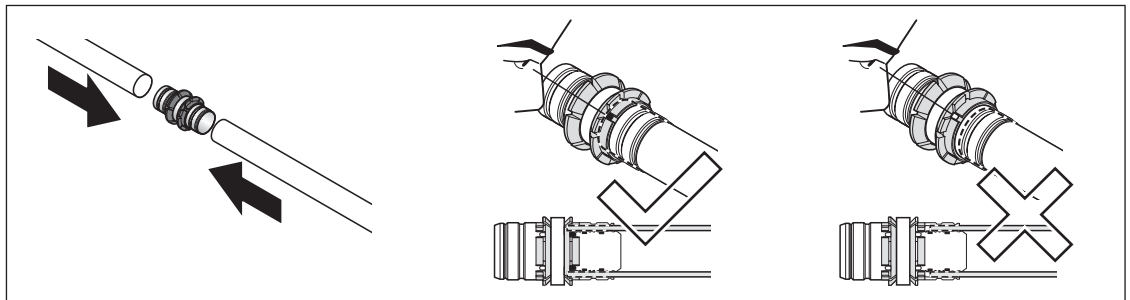
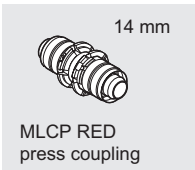


**4**

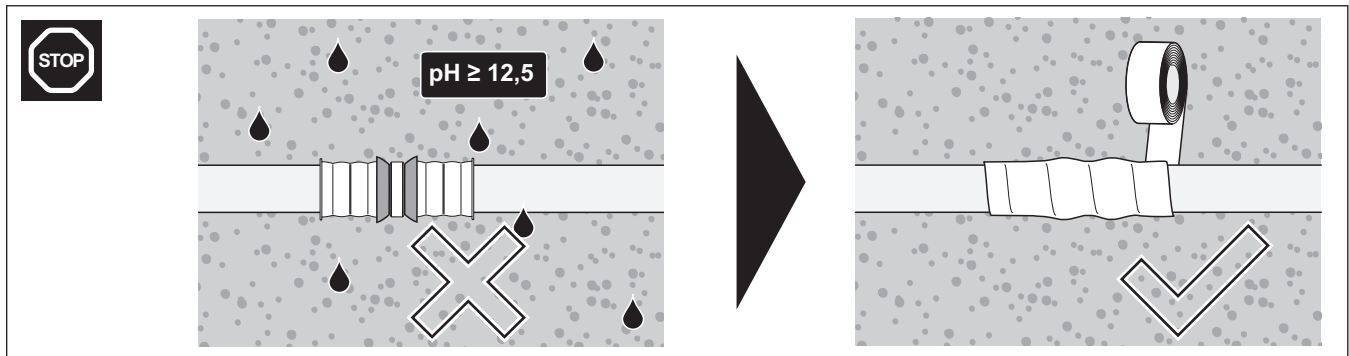
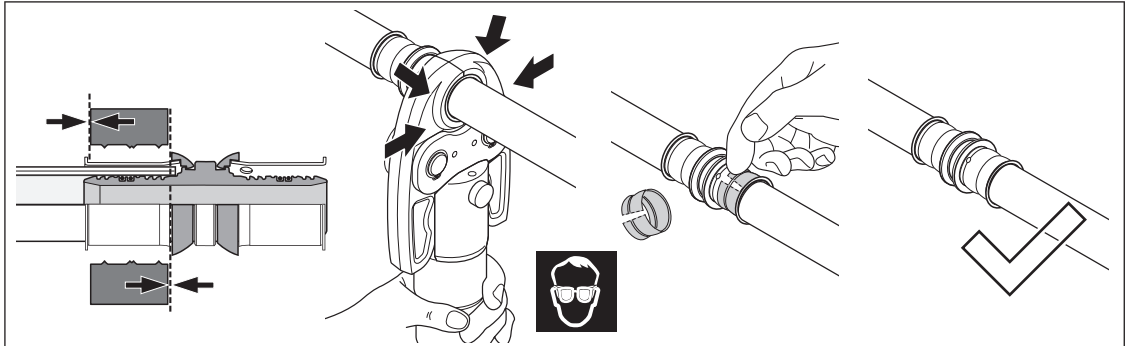
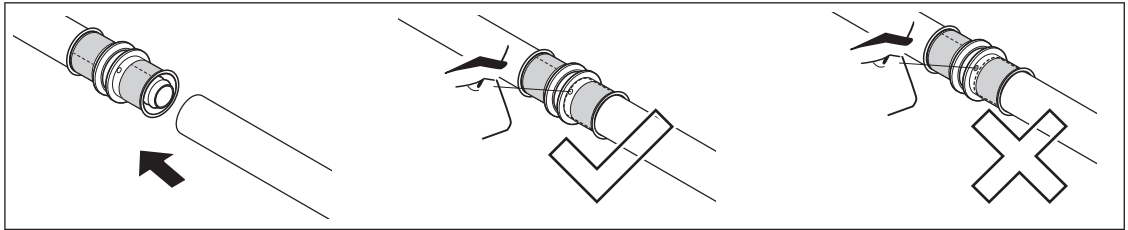




		UP110 UP75 	Mini2 Mini 	
		UPP1 		
 S-Press PLUS	16	16	16	–
 S-Press PLUS PPSU	16	16	16	–
 MLCP RED press coupling	14	14	14	–
	–	–	–	14 – 16



16 mm  
 S-Press PLUS  
 S-Press PLUS PPSU



**Uponor GmbH**  
 Industriestraße 56,  
 D-97437 Hassfurt, Germany

1048789 05\_2021  
 Production: Uponor / ELO

Uponor reserves the right to make changes, without prior notification, to the specification of incorporated components in line with its policy of continuous improvement and development.



[www.uponor.com](http://www.uponor.com)