

4

3

2

1

F

F

E

E

D

D

C

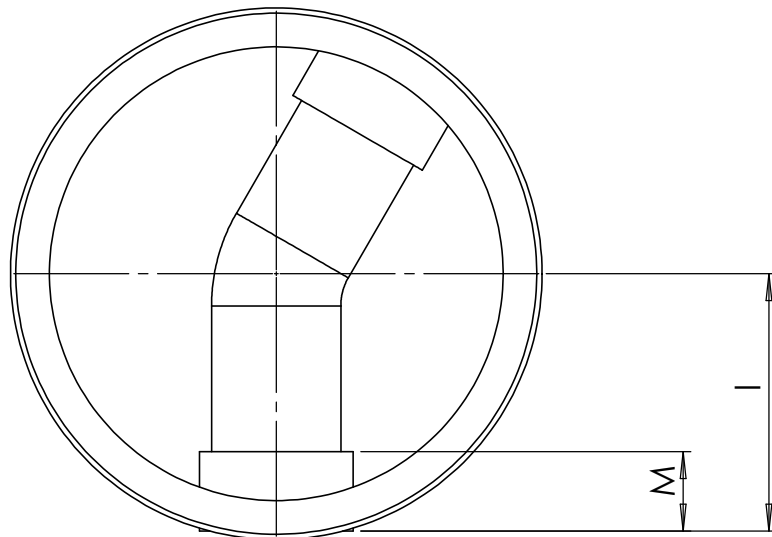
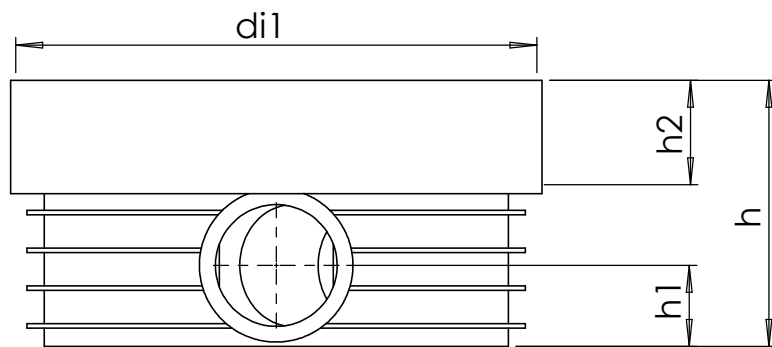
C

B

B

A

A



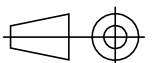
Item	Size	l	d1	h	h1	h2	M
1118295	600/160 0-150	367	689	393	121	158	105
1118301	600/200 0-150	378	689	435	142	158	125
1118307	600/250 0-150	392	689	487	168	158	155
1118313	600/315 0-150	397	689	556	203	158	180

**Uponor**

Description  
INFRA  
Mounting dimensions  
Sewer inspection chamber  
packages

Drawing number  
Z\_ACCESSO\_600\_0-150\_BLACK\_PP

Sheet: 1/1



4

3

2

1