

4

3

2

1

F

F

E

E

D

D

C

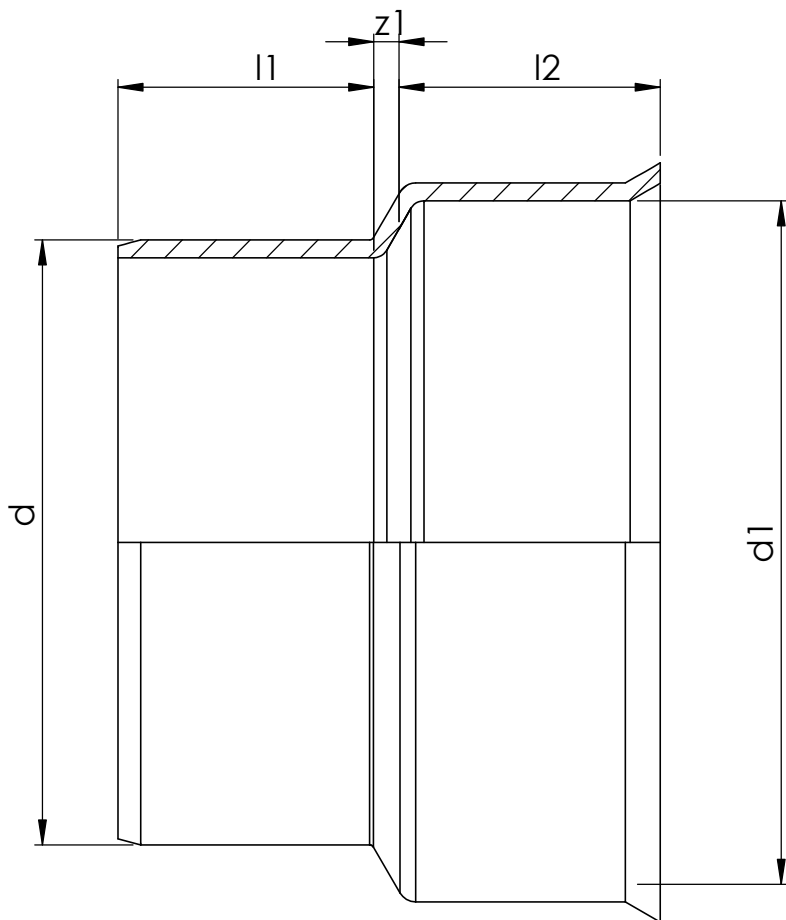
C

B

B

A

A



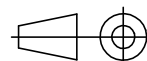
Item	Size	d	d1	l1	l2	z1
1050361	450/400	400	450	175	162	42

Uponor

Description
INFRA
Mounting dimensions
Ultra rib 2 fittings

Drawing number
Z_Ultra_rib_2_connector_450_400

Sheet: 1/1



4

3

2

1