

4

3

2

1

F

F

E

E

D

D

C

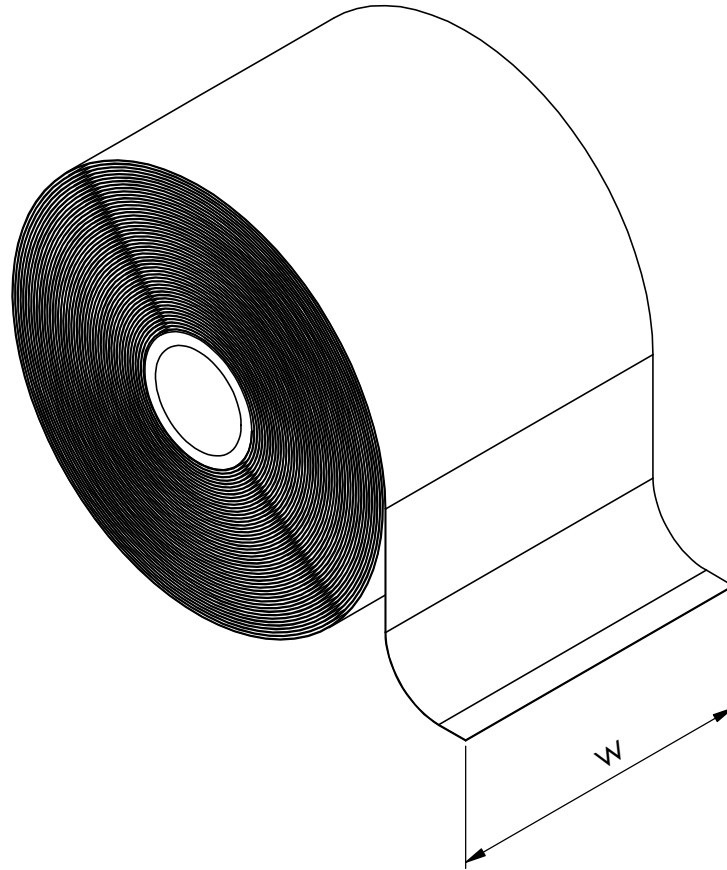
C

B

B

A

A



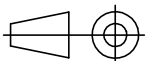
Item	Size	Length	w
1072235	50	50	50

Uponor

Description
 INFRA
 Mounting dimensions
 Pressure tape
 Barrier accessories

Drawing number
Z_Pressure_tape_aluminium

Sheet: 1/1



4

3

2

1