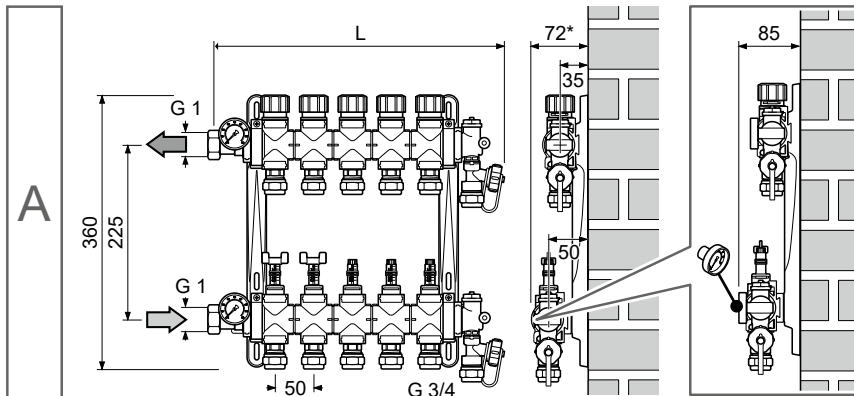
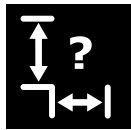
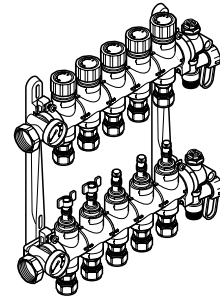
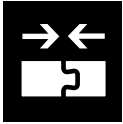
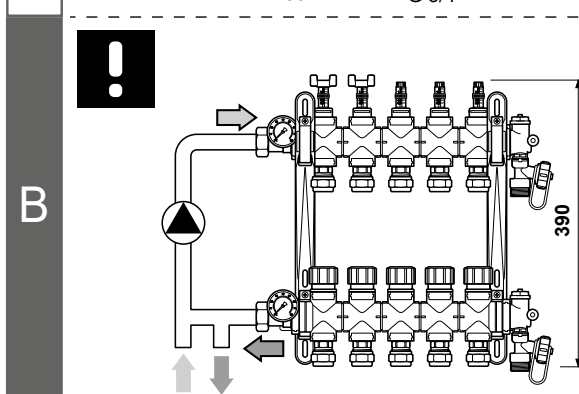


Uponor Vario M



n	L [mm]	n	L [mm]
2	220	9	570
3	270	10	620
4	320	11	710
5	370	12	760
6	420	13	810
7	470	14	860
8	520	15	910



$\vartheta_{sec} = 15 - 60^{\circ}C$



$P_{max} = 6 \text{ bar}$



$P_{test} = 10 \text{ bar}$



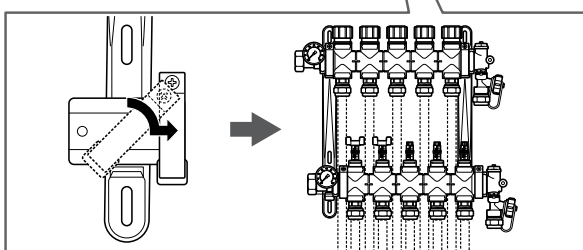
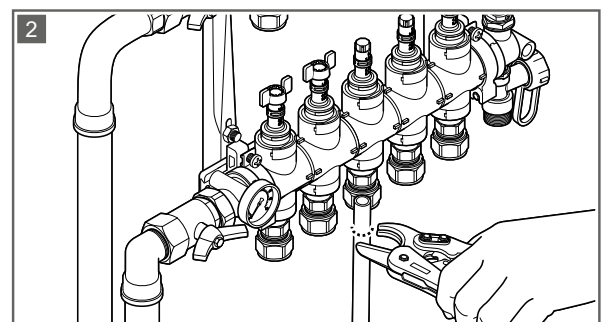
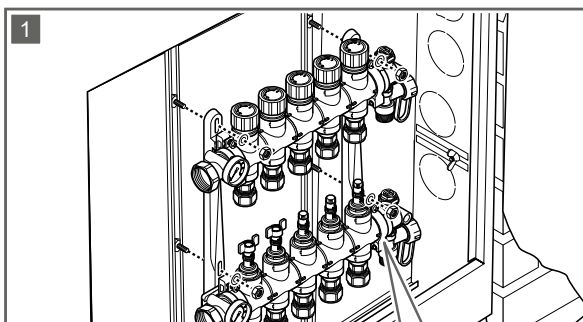
$kvs = 1,0 \text{ m}^3/h$

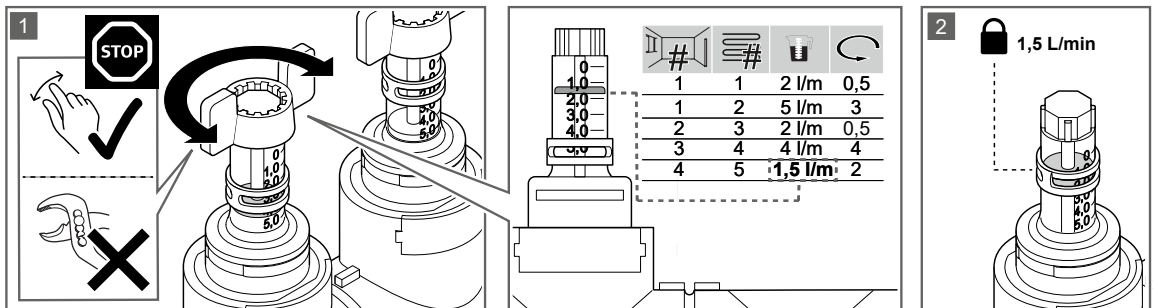
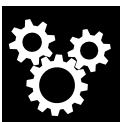
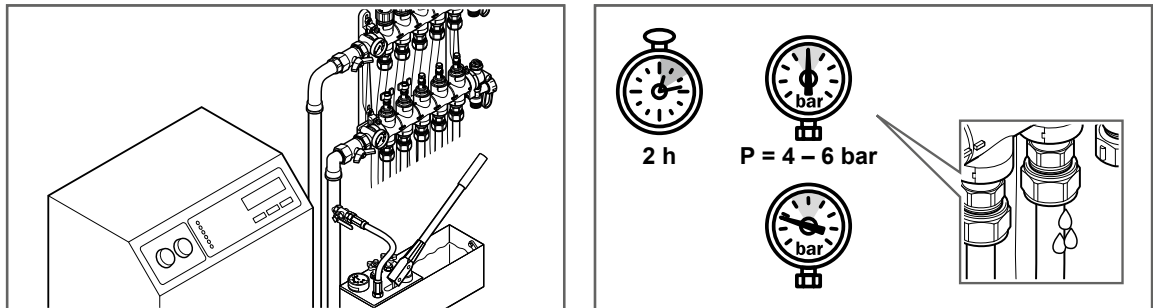
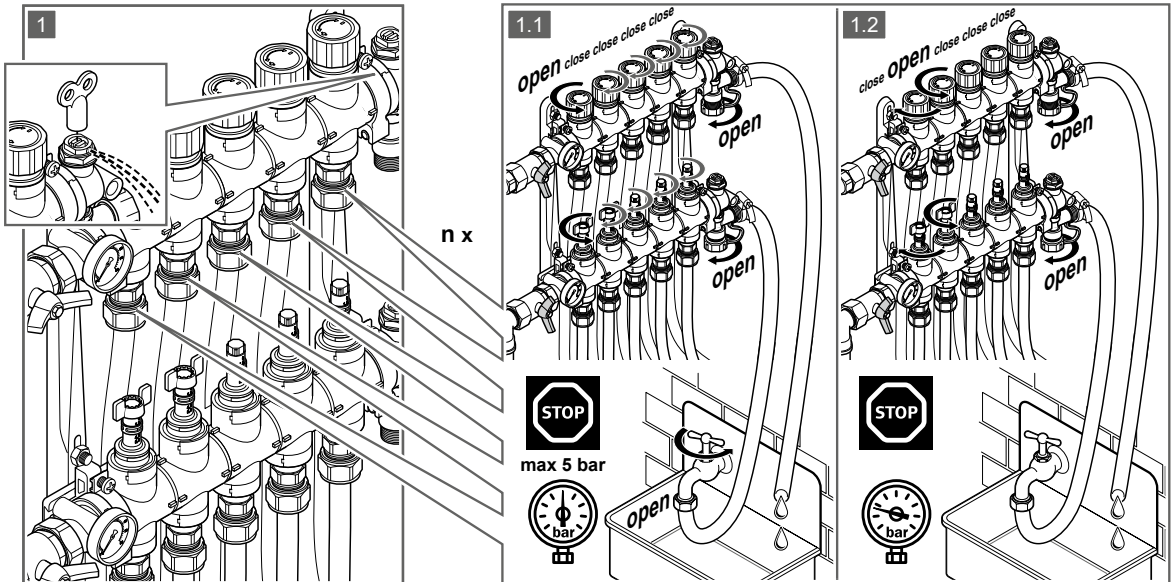
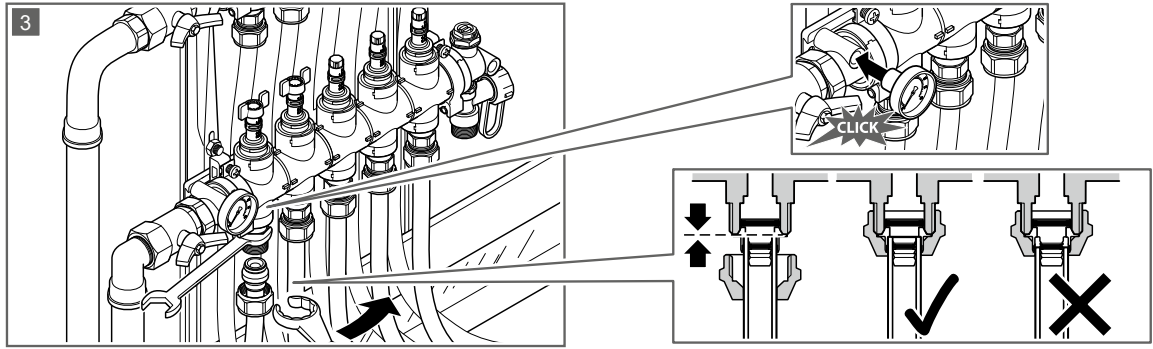


$kvs = 2,5 \text{ m}^3/h$



$\dot{V}_{max} = 3,5 \text{ m}^3/h$





Uponor GmbH

Industriestraße 56,
D-97437 Hassfurt, Germany

1087442 v4_05_2023_INT
Production: Uponor / SDE

Uponor reserves the right to make changes, without prior notification, to the specification of incorporated components in line with its policy of continuous improvement and development.



www.uponor.com