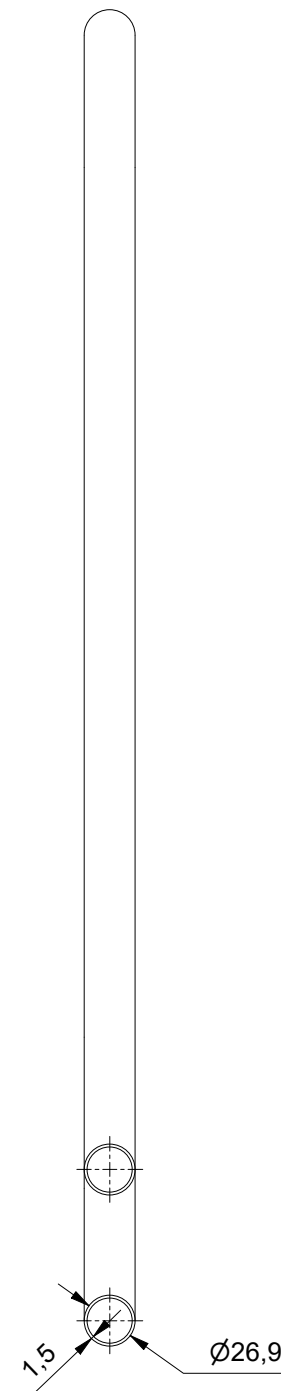
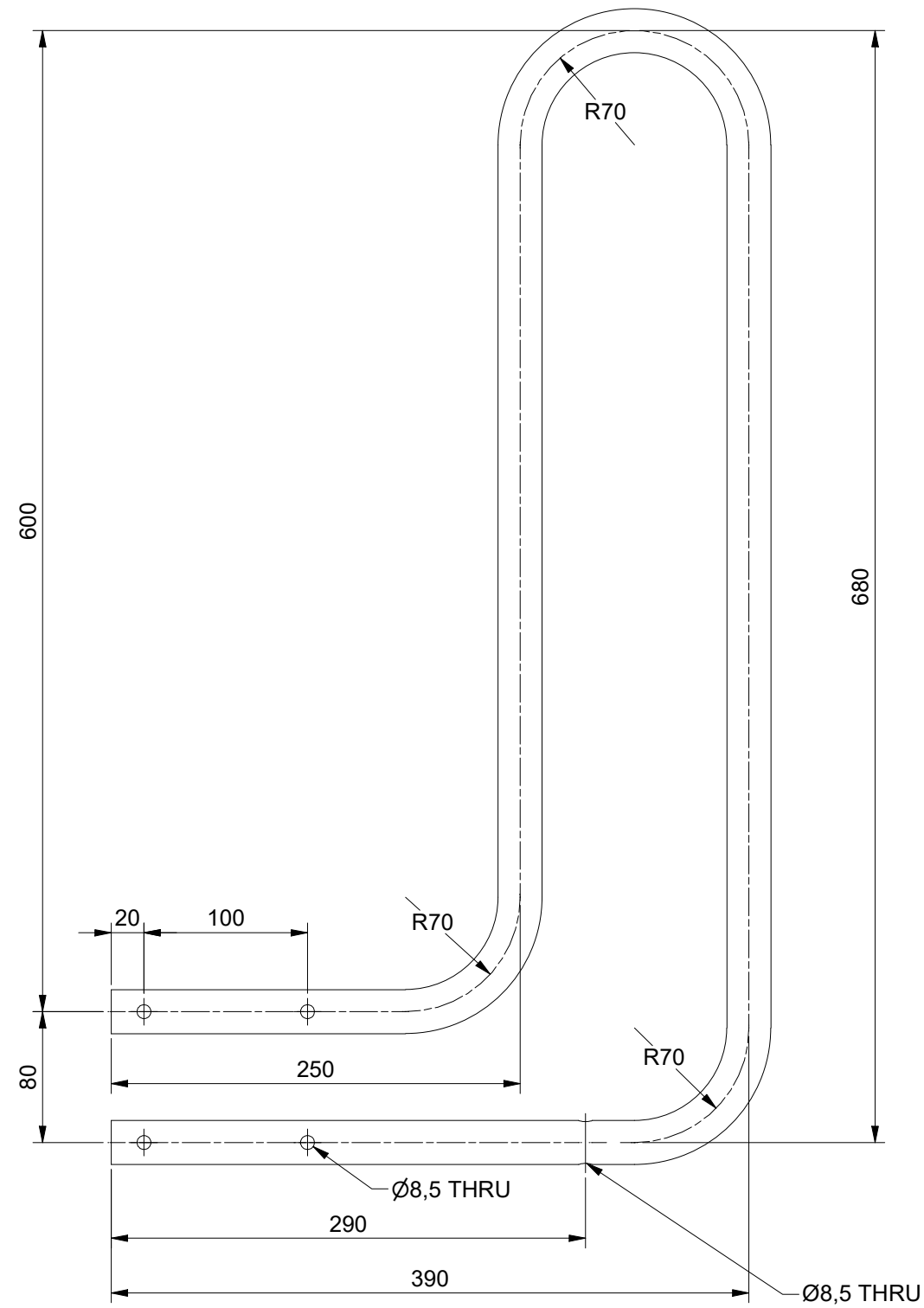
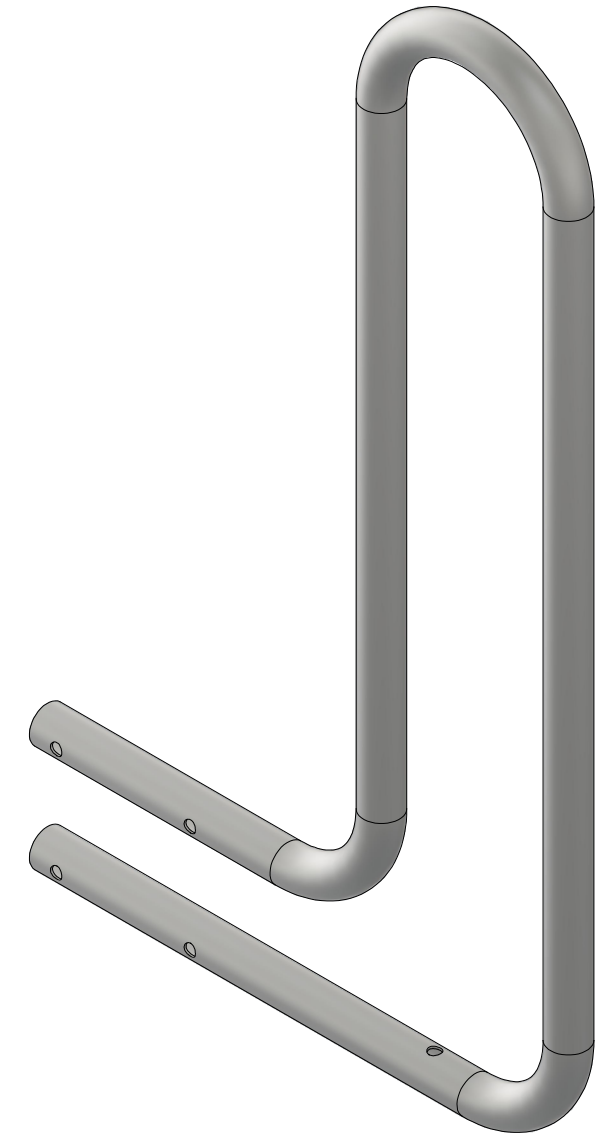


1160952 Handrail



Pipe length 1940 mm (Centerline)



General Tolerances ISO 2768-m			Description				uponor INFRA					
>	≤	Tol.	Handrail				Drg.No					
0,5	6	± 0,1	Client / Project / Order No.				Weight					
6	30	± 0,2	Material Stainless Steel AISI 304				Scale		Time		Status	
30	120	± 0,3	Drawn 21/10/2024 / oskar.om				1 : 4		2 kg		Revision	
120	400	± 0,5	File Name 1160952 Handrail.idw				Sheet A3		Chkd.		Appr.	
400	1000	± 0,8									1	
1000	2000	± 1,2										

This document constitutes confidential and proprietary information of Uponor Corporation. Any party accepting receipt of this document does so on the express understanding and agreement that it will neither reproduce, disclose to third parties or use this document for any purpose other than those expressly agreed to by any Uponor group company.