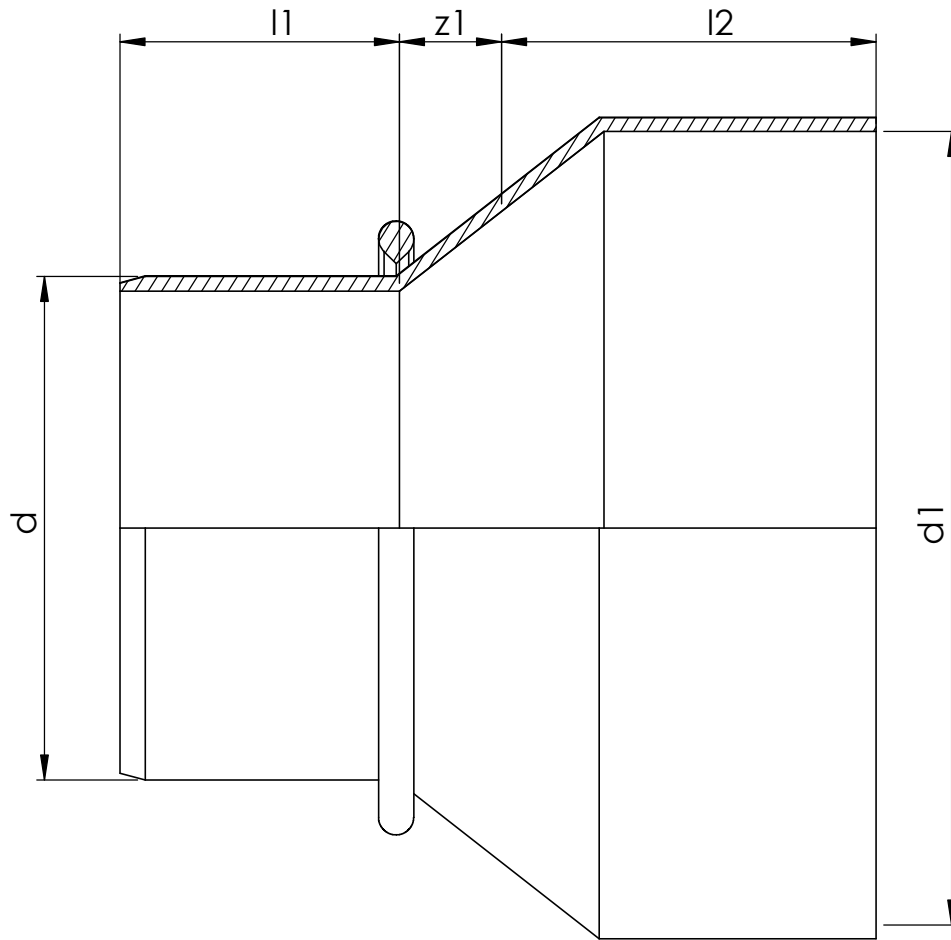


4

3

2

1



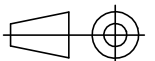
Item	Size	d	d1	l1	l2	z1
1050585	200/200	200	231			
1050587	225/200	200	315	111	41	148
1050588	315/300	300	430			

Uponor

Description
INFRA
Mounting dimensions
PVC fittings >160

Drawing number
Z_Sewer_connector_concrete_spigot_heat_shrinking

Sheet: 1/1



4

3

2

1