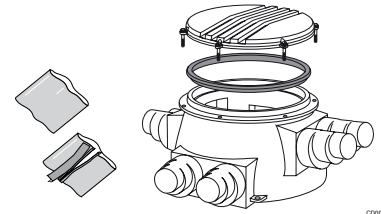
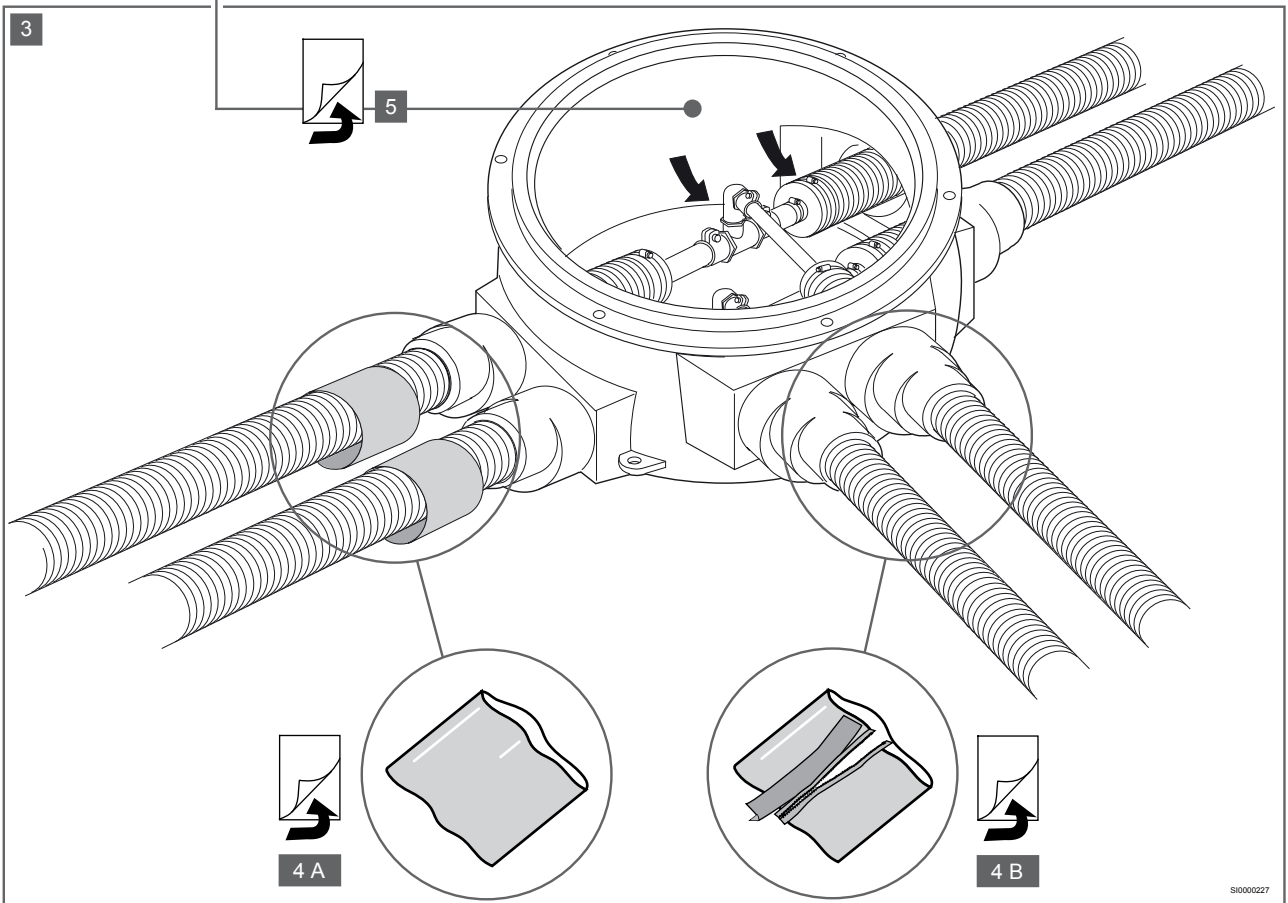
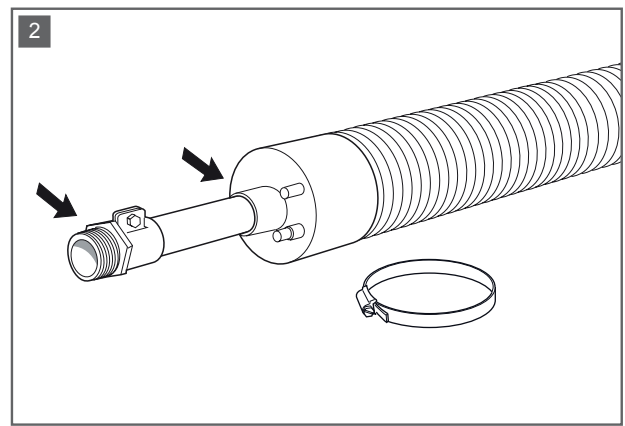
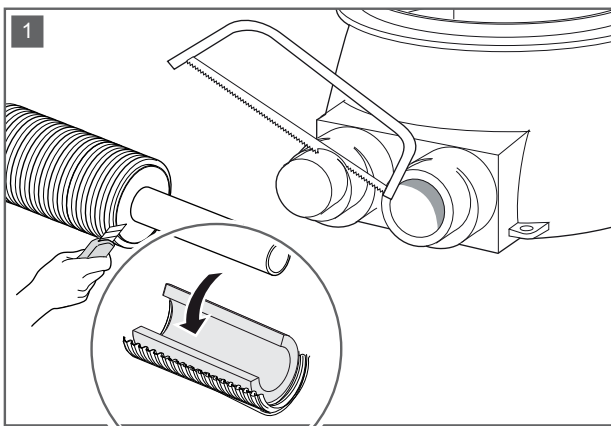


Uponor Ecoflex chamber

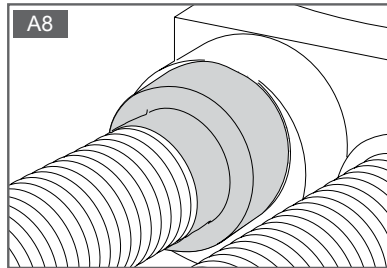
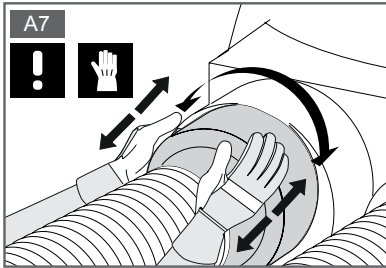
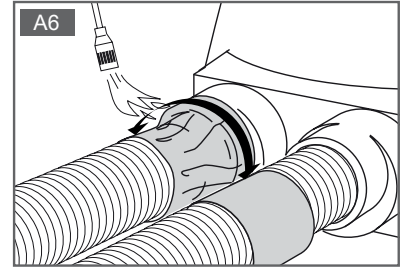
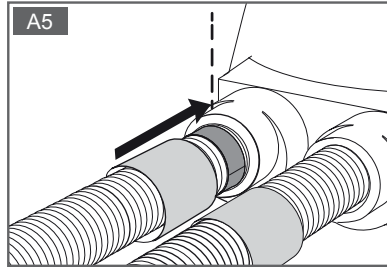
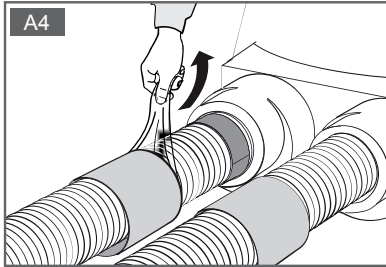
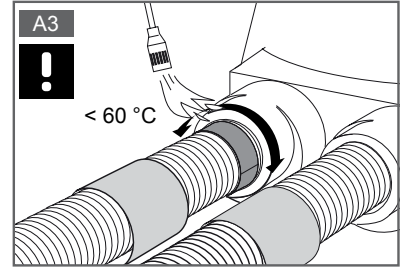
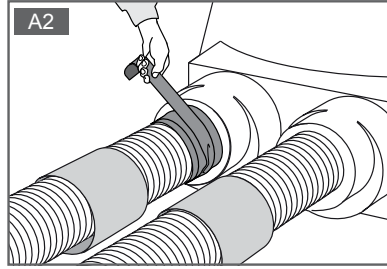
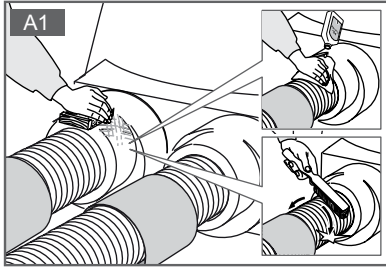


C0000213

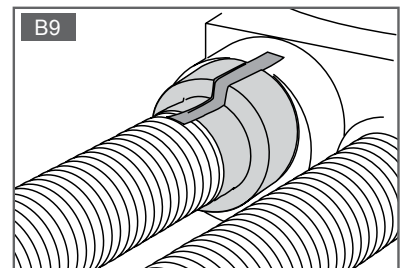
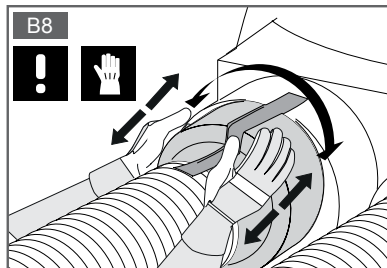
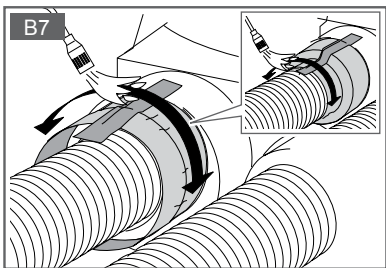
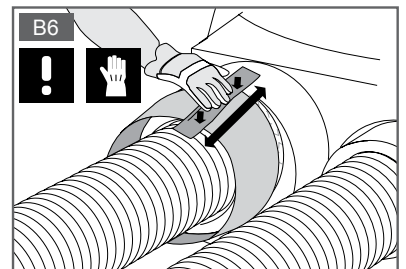
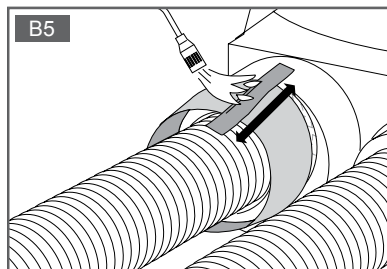
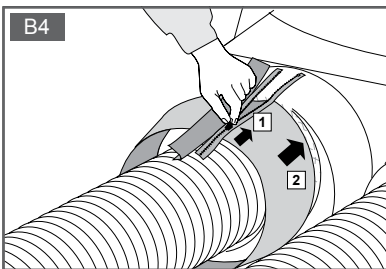
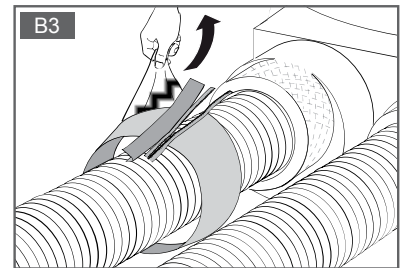
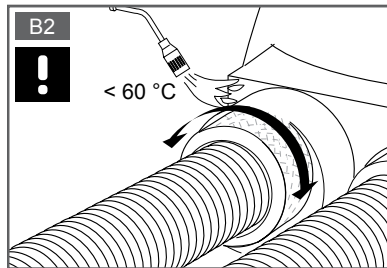
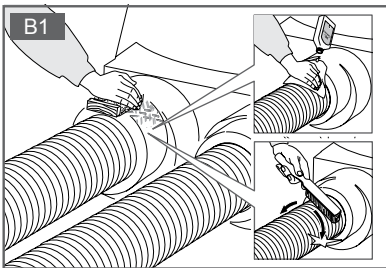


SI0000227

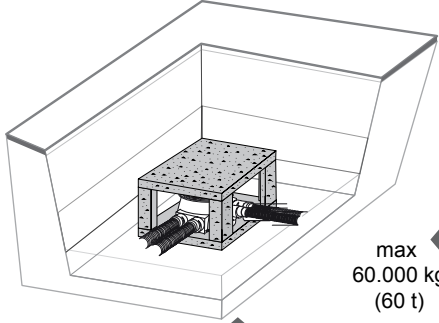
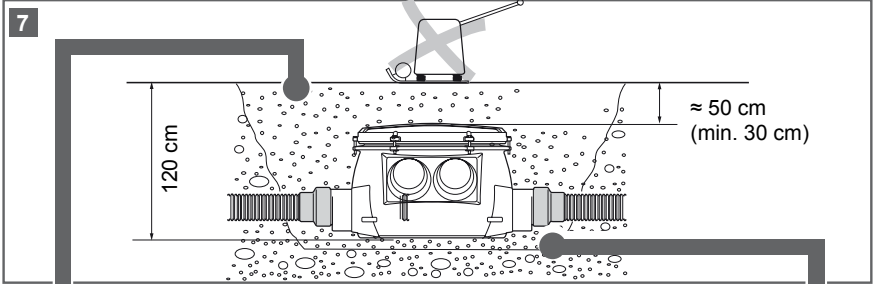
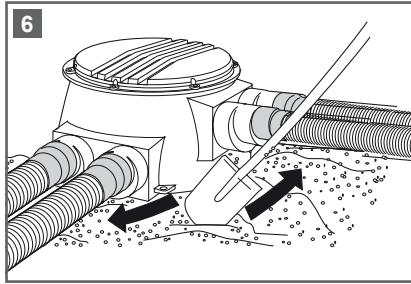
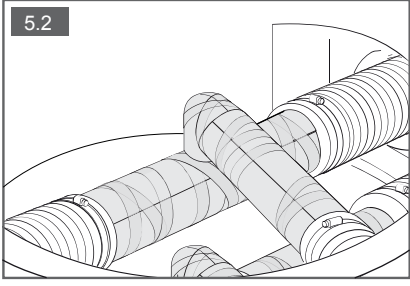
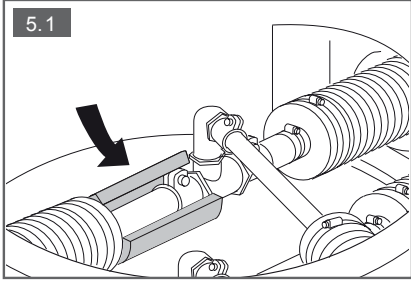
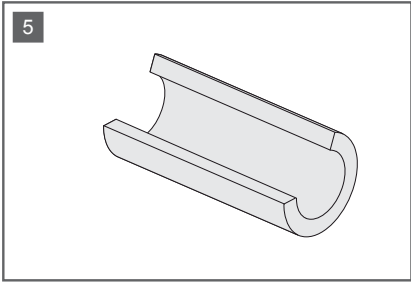
4 A



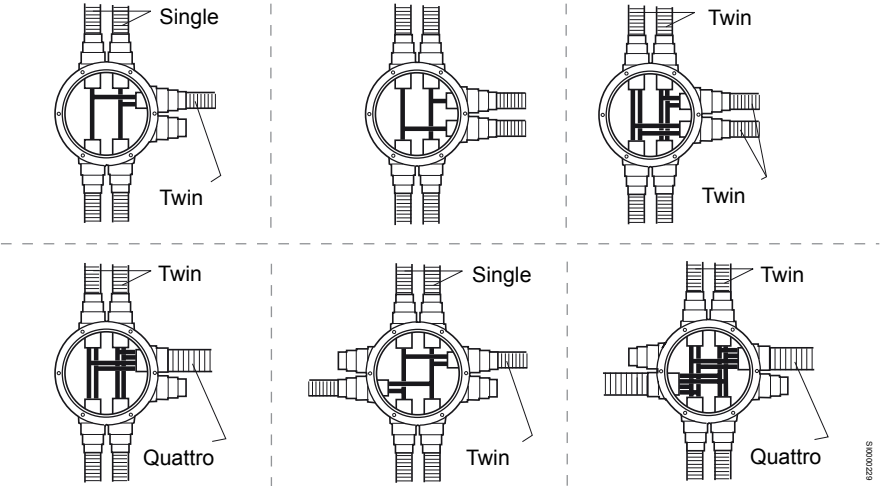
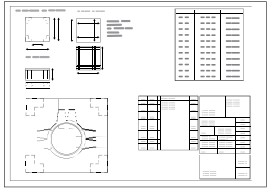
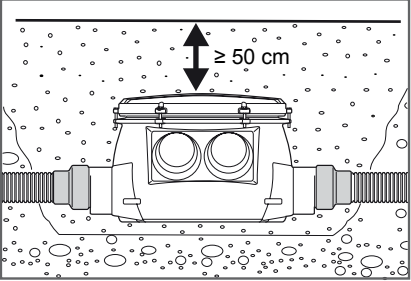
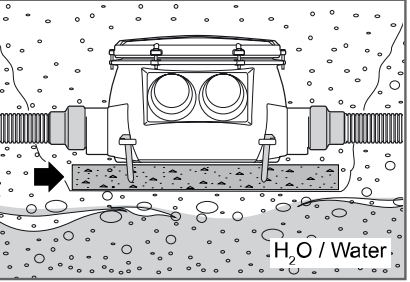
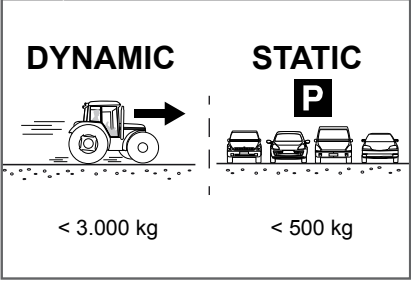
4 B



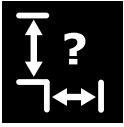
510000228



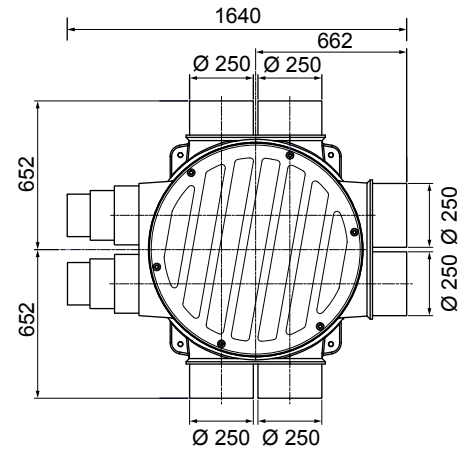
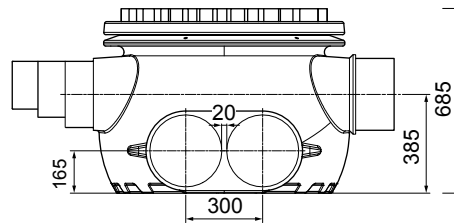
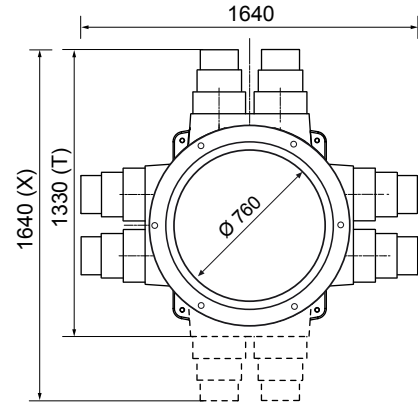
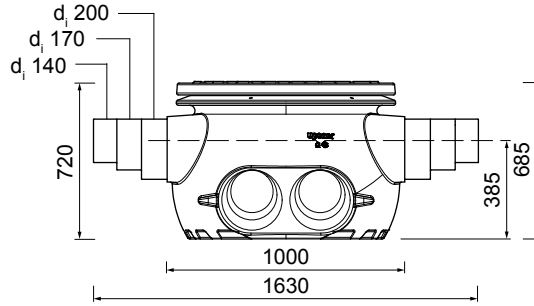
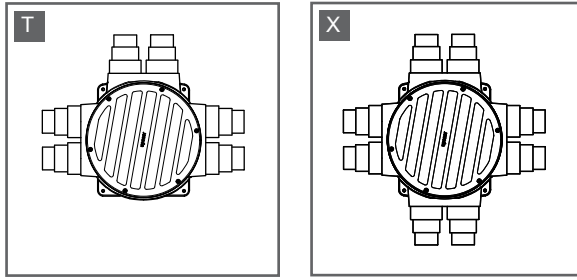
max
60.000 kg
(60 t)



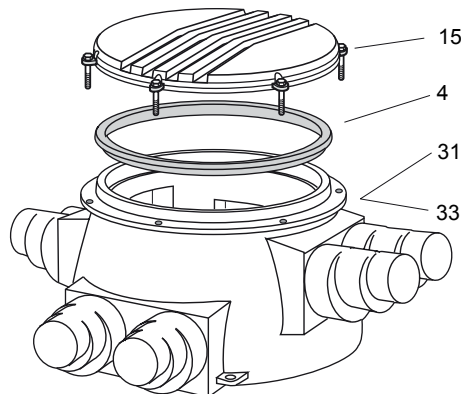
50000229



[mm]



[kg]



ALL PIPE SYSTEMS

Uponor Suomi Oy
Nastola - Forssa

ZD0000048

Uponor GmbH

Industriestraße 56,
D-97437 Hassfurt, Germany

1071353 11_2019_INT
Production: Uponor/ELO

Uponor reserves the right to make changes, without prior notification, to the specification of incorporated components in line with its policy of continuous improvement and development.



www.uponor.com