

4

3

2

1

F

F

E

E

D

D

C

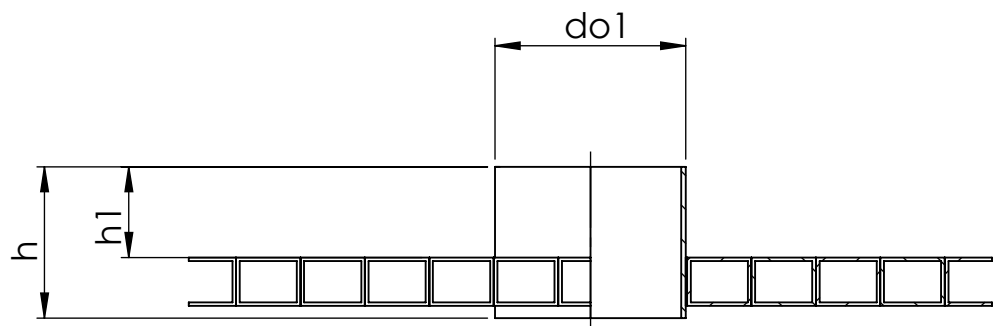
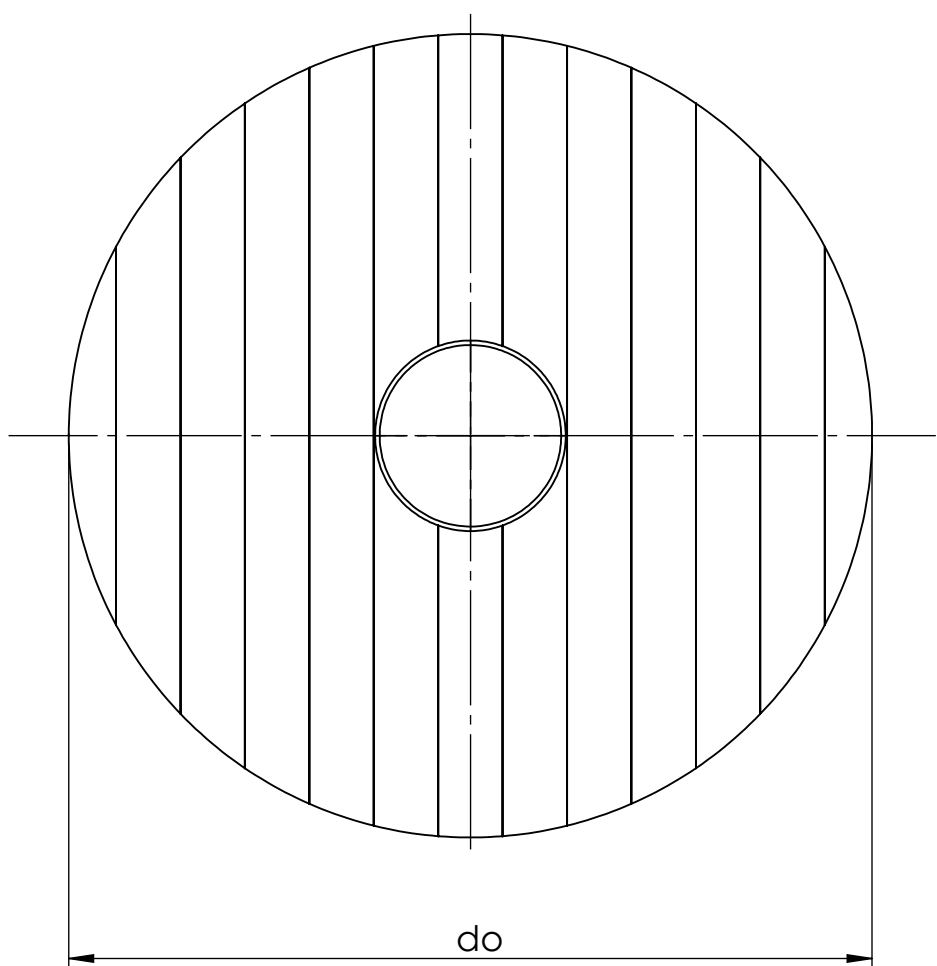
C

B

B

A

A



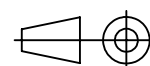
Item	Size	di	do	do1	h	h1
1135593	2500-630	581	2656	630	500	300
1135595	2500-710	655	2656	710	500	300



**Description**  
 INFRA  
 Mounting dimensions  
 Valve Chamber Centric Top solution Non  
 Traffic Area  
 Other

**Drawing number**  
 Z\_valve\_chamber\_2500\_630\_centric\_top\_solution\_non\_traffic\_area

Sheet: 1/1



4

3

2

1