

4

3

2

1

F

F

E

E

D

D

C

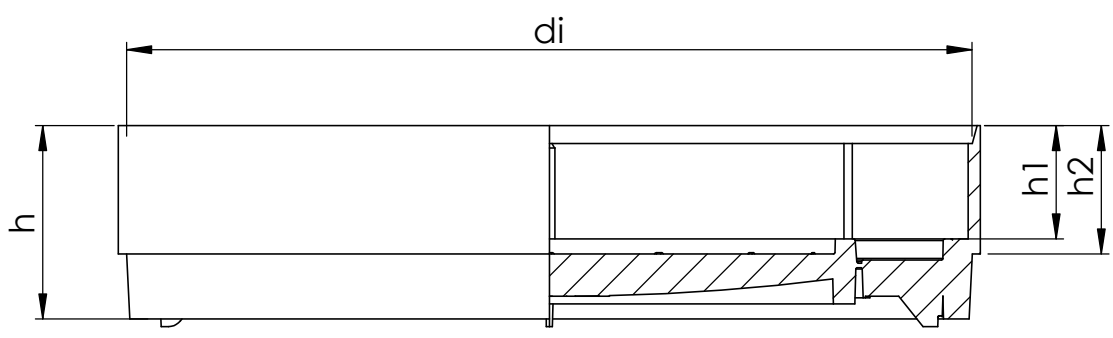
C

B

B

A

A



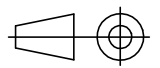
Item	Size	di	h	h1	h2
1050655	560	560	127	74	84

**Uponor**

Description  
 INFRA  
 Mounting Dimensions  
 Chamber components  
 Chamber lid PE

Drawing number  
**Z\_Chamber\_lid\_PE**

Sheet: 1/1



4

3

2

1