

4

3

2

1

F

F

E

E

D

D

C

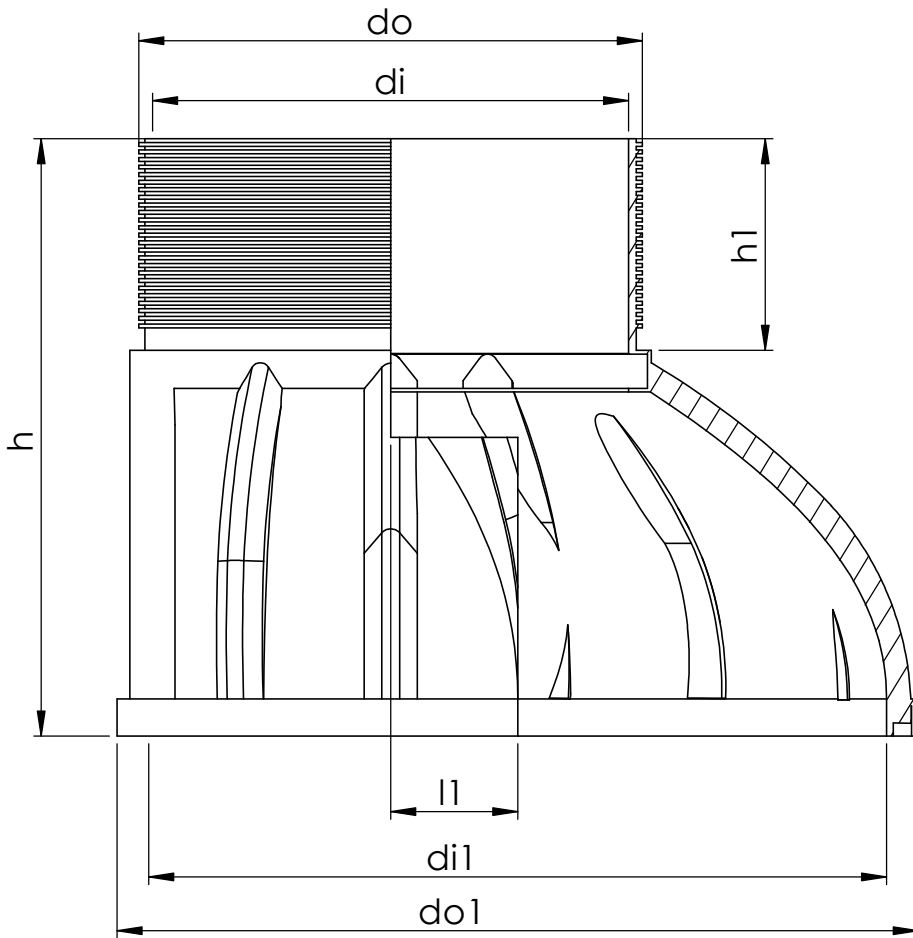
C

B

B

A

A

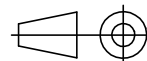


Item	Size	d_i	d_{i1}	d_o	d_{o1}	l_1	h	h_1
1057620	1000	630	976	666	1060	168	790	280



Description
 INFRA
 Mounting dimensions
 Sewer inspection chamber modular

Drawing number
 Z_Accesso_sewer_chamber_cone



Sheet: 1/1

4

3

2

1