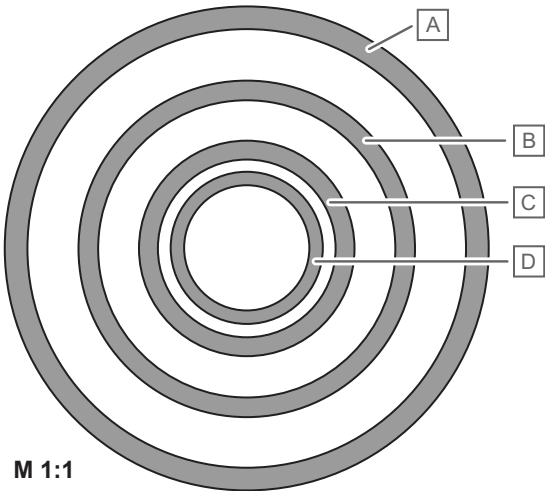




Wipex o-ring-set PN10

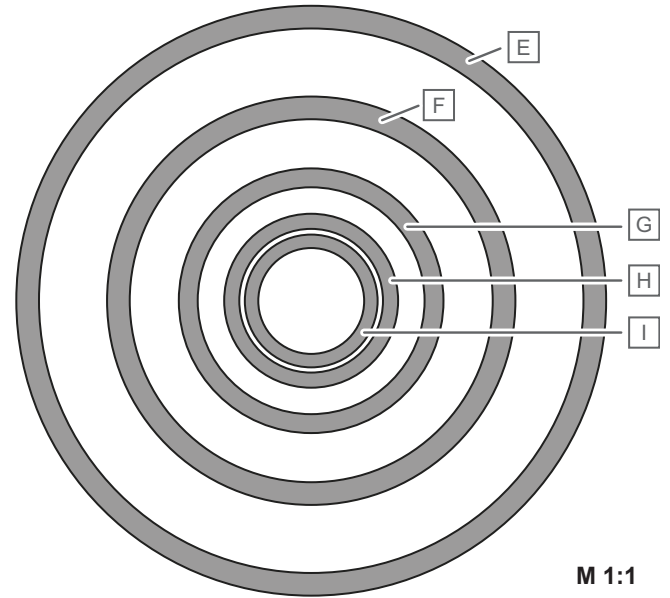
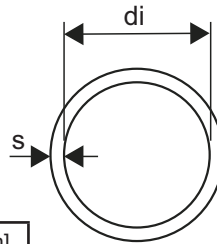
25 - 110 mm

Uponor



M 1:1

Pos.	Dimension	di [mm]	s [mm]
A	90 x 12,3; PN10	58,0	3,0
B	63 x 8,6; PN10	39,3	2,6
C	40 x 5,5; PN10	23,5	2,5
D	28 x 4,0; PN10	16,56	1,78



M 1:1

Pos.	Dimension	di [mm]	s [mm]
E	110 x 15,1; PN10	72,0	3,0
F	75 x 10,3; PN10	48,0	3,0
G	50 x 6,9; PN10	30,0	2,5
H	32 x 4,4; PN10	19,0	2,0
I	25 x 3,5; PN10	14	1,78



www.uponor.com

Uponor GmbH

Industriestraße 56, D-97437 Hassfurt, Germany

1143317 v1_11_2023_INT
Production: Uponor / SDE

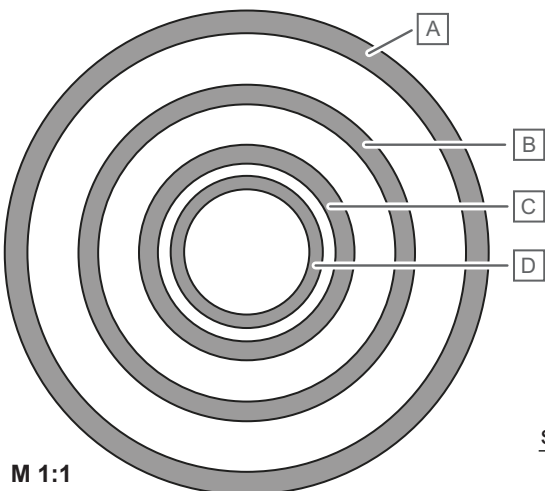
Uponor reserves the right to change the product portfolio and the related documentation without prior notification, in line with its policy of continuous improvement and development.



Wipex o-ring-set PN10

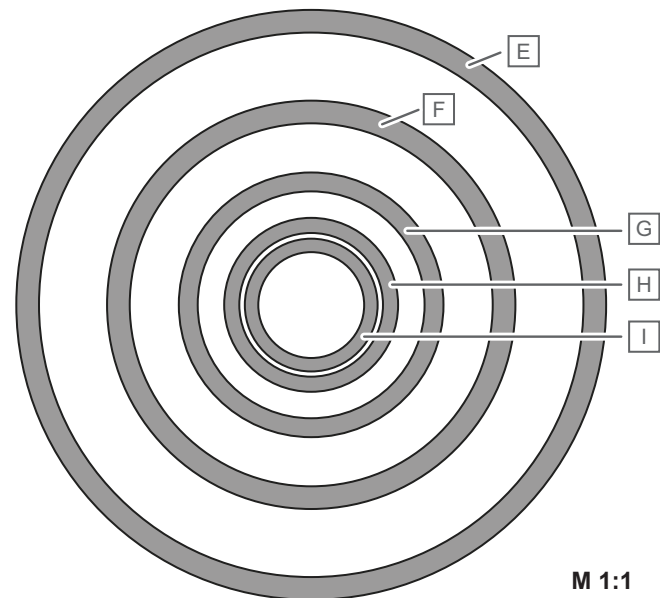
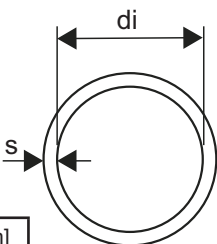
25 - 110 mm

Uponor



M 1:1

Pos.	Dimension	di [mm]	s [mm]
A	90 x 12,3; PN10	58,0	3,0
B	63 x 8,6; PN10	39,3	2,6
C	40 x 5,5; PN10	23,5	2,5
D	28 x 4,0; PN10	16,56	1,78



M 1:1

Pos.	Dimension	di [mm]	s [mm]
E	110 x 15,1; PN10	72,0	3,0
F	75 x 10,3; PN10	48,0	3,0
G	50 x 6,9; PN10	30,0	2,5
H	32 x 4,4; PN10	19,0	2,0
I	25 x 3,5; PN10	14	1,78



www.uponor.com

Uponor GmbH

Industriestraße 56, D-97437 Hassfurt, Germany

1143317 v1_11_2023_INT
Production: Uponor / SDE

Uponor reserves the right to change the product portfolio and the related documentation without prior notification, in line with its policy of continuous improvement and development.