

4

3

2

1

F

F

 $z2$  $l2$ 

E

E

D

D

C

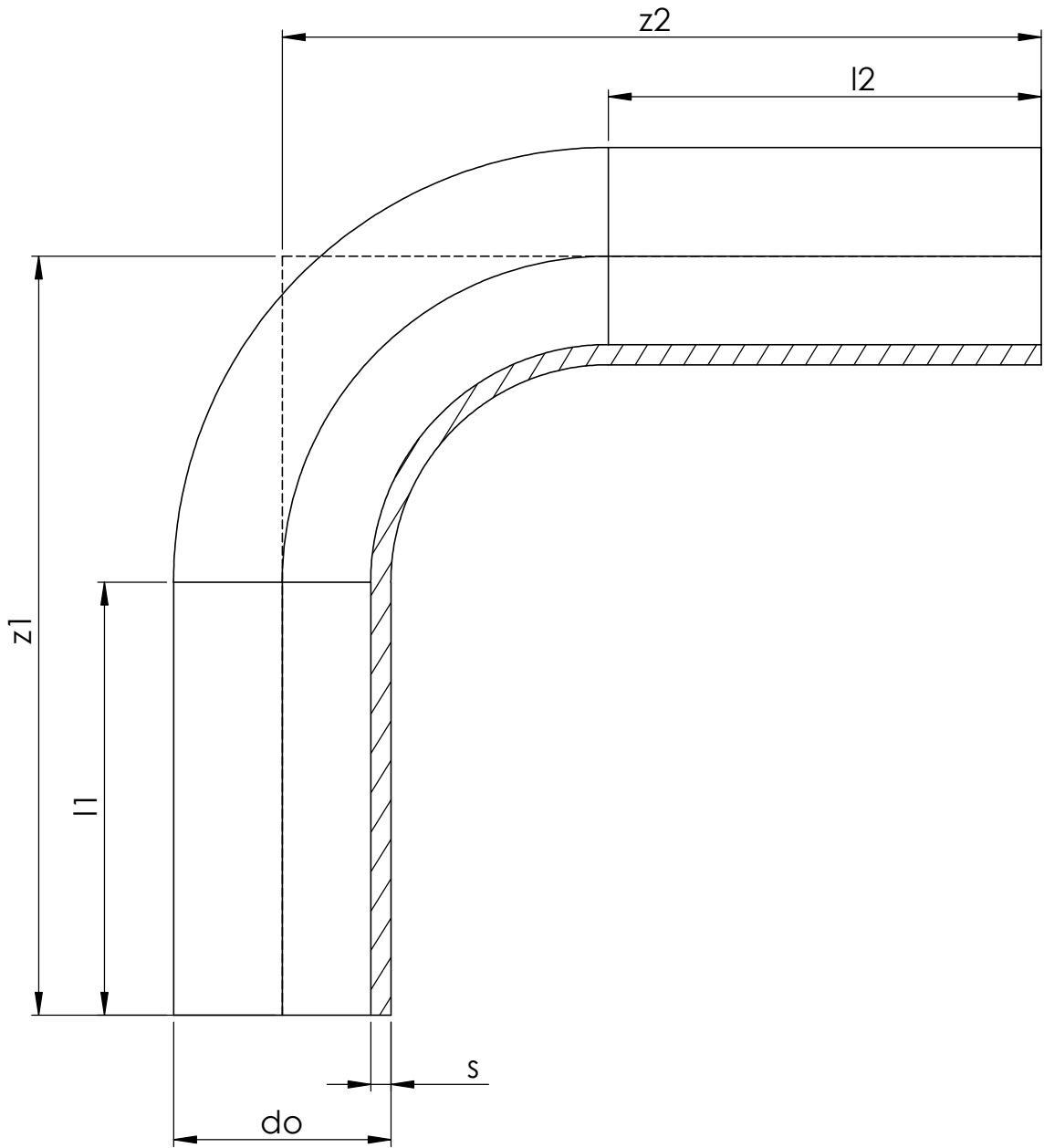
C

B

B

A

A



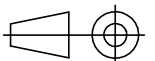
Item	Size	do	l1	l2	s	z1	z2
1118319	63	63	90	90	5,8	220	220
1121408	110	110	120	120	10	315	315

**Uponor**

Description  
INFRA  
Mounting dimensions  
Pressure bend PN16 SDR11  
Cold fittings

Drawing number  
Z\_Pressure\_bend\_PN16\_SDR11

Sheet: 1/1



4

3

2

1