

4

3

2

1

F

F

E

E

D

D

C

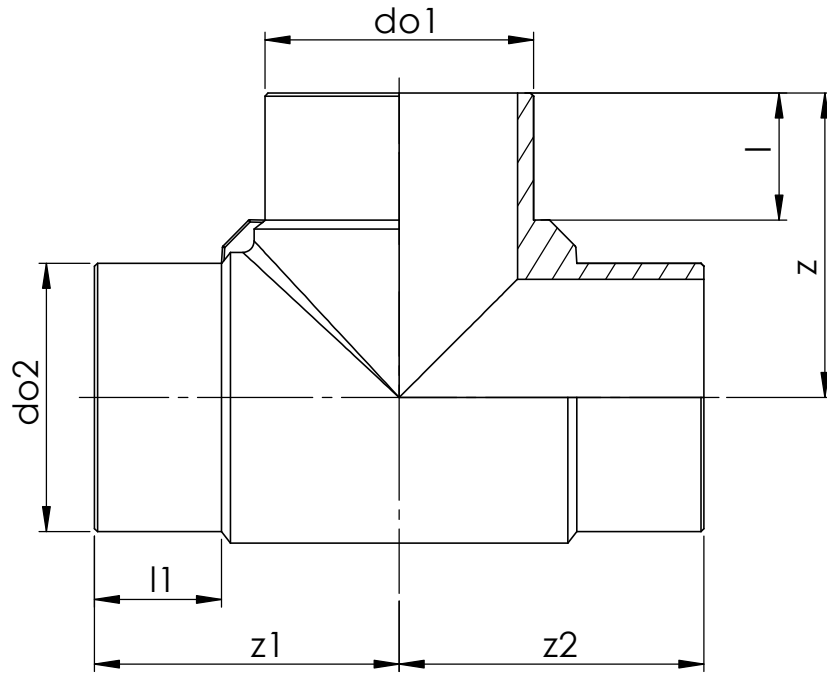
C

B

B

A

A



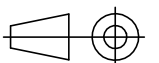
Item	Size	do1	do2	l	ll	z	z1	z2
1072511	355/355	355	355	168	168	400	400	400

Uponor

Description
INFRA
Mounting dimensions
Iplast Pressure tee PN10 SDR17 long
Cold fittings

Drawing number
Z_Iplast_Pressure_tee_PN10_SDR17_long

Sheet: 1/1



4

3

2

1