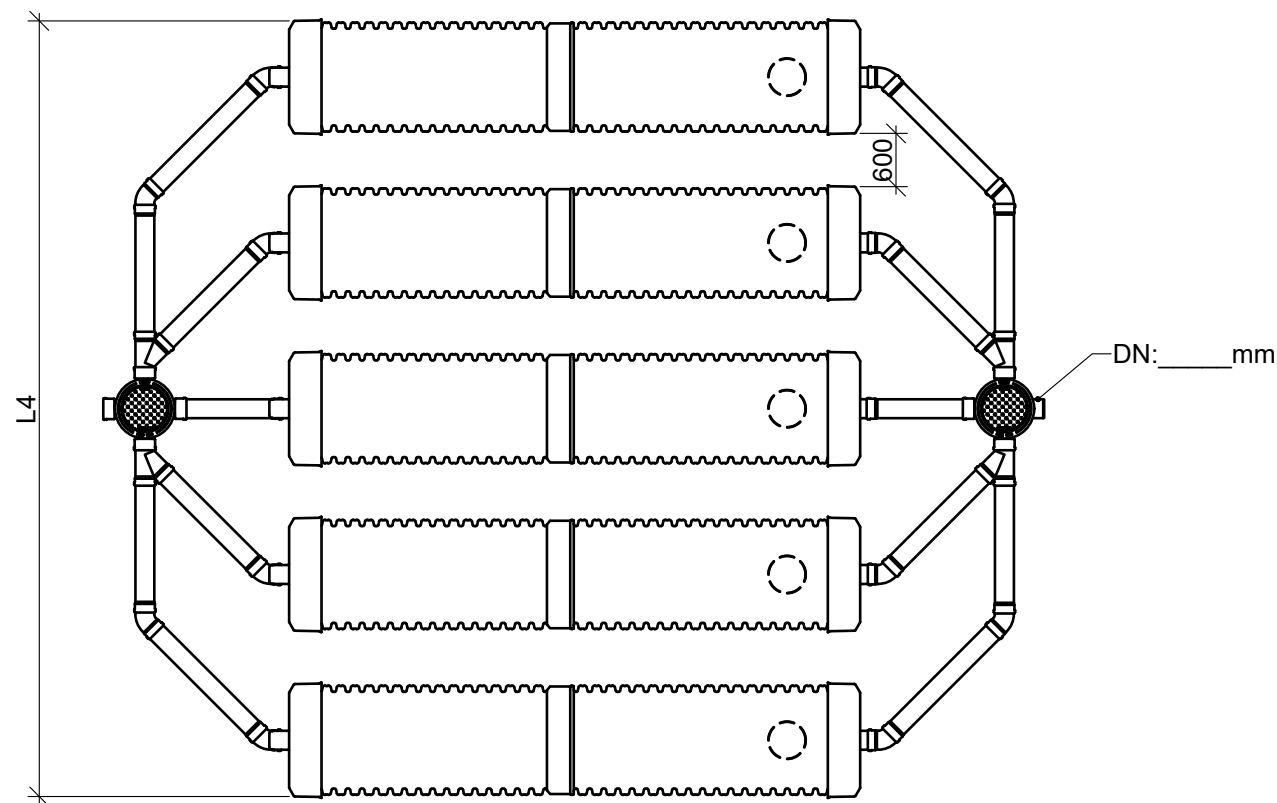
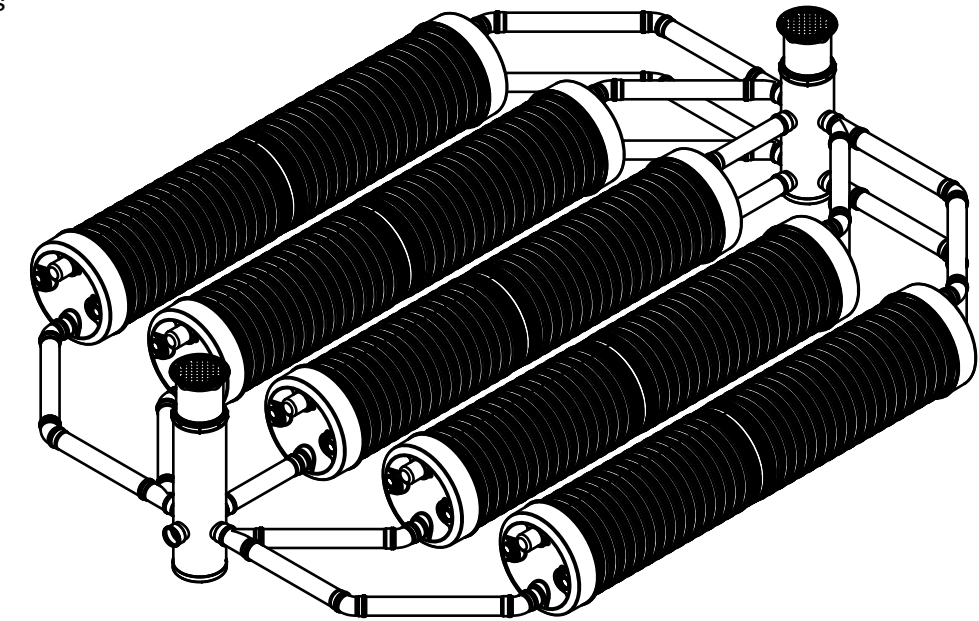
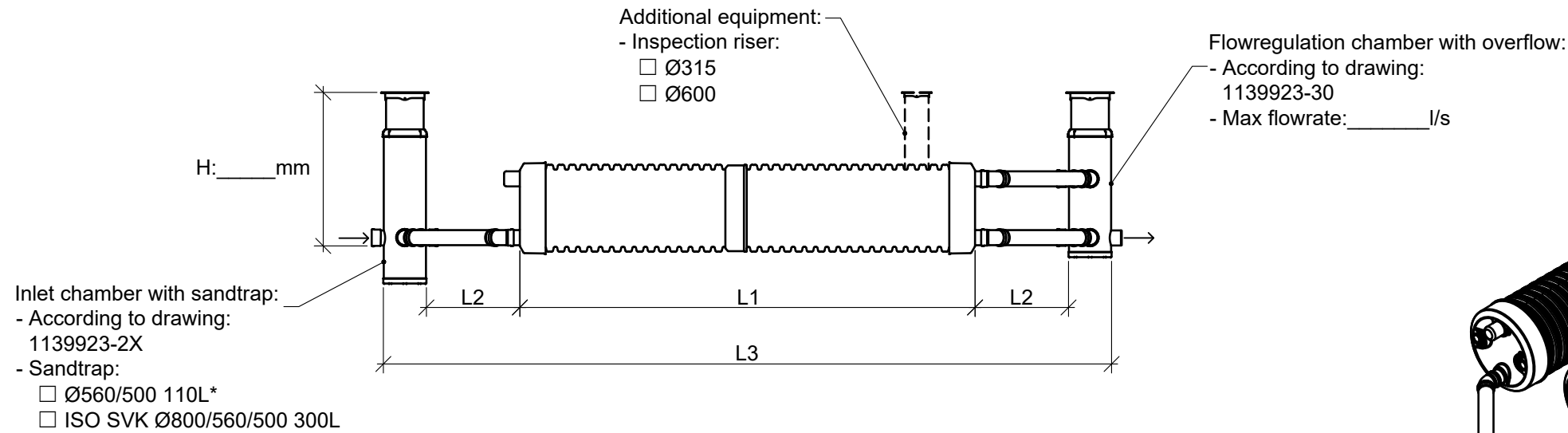


Uponor Stormwise Stormwater IQ-tank 5 strings



Dimension table [mm]			
String Ø	L2	L3	L4
680/600	≥690	L1+2500	5800
902/800	≥980	L1+3080	6910
1154/1000	≥1250	L1+3620	8170
1360/1200	≥1000	L1+3720	9200

L1 = Length of string (Volume in table calculated for 5 strings)									
	3 m	6 m	9 m	12 m	15 m	18 m	21 m	24 m	Other length
680/600	-	<input type="checkbox"/> 8,5m³	-	<input type="checkbox"/> 17,0m³	-	<input type="checkbox"/> 25,5m³	-	<input type="checkbox"/> 34,0m³	<input type="checkbox"/> _____ (1,40m³/m)
902/800	<input type="checkbox"/> 7,0m³	<input type="checkbox"/> 14,0m³	<input type="checkbox"/> 22,0m³	<input type="checkbox"/> 29,0m³	<input type="checkbox"/> 37,0m³	<input type="checkbox"/> 44,0m³	<input type="checkbox"/> 52,5m³	<input type="checkbox"/> 59,5m³	<input type="checkbox"/> _____ (2,50m³/m)
1154/1000	<input type="checkbox"/> 10,5m³	<input type="checkbox"/> 21,0m³	<input type="checkbox"/> 34,0m³	<input type="checkbox"/> 45,0m³	<input type="checkbox"/> 57,5m³	<input type="checkbox"/> 68,5m³	<input type="checkbox"/> 81,5m³	<input type="checkbox"/> 92,0m³	<input type="checkbox"/> _____ (3,90m³/m)
1360/1200	<input type="checkbox"/> 14,5m³	<input type="checkbox"/> 29,5m³	<input type="checkbox"/> 47,5m³	<input type="checkbox"/> 62,0m³	<input type="checkbox"/> 80,5m³	<input type="checkbox"/> 95,0m³	<input type="checkbox"/> 113,0m³	<input type="checkbox"/> 128,0m³	<input type="checkbox"/> _____ (5,65m³/m)



CASE NUMBER	DRAWN BY	HANDLED BY
	---	---
DATE	CONTACT PERSON	
30.09.2022	---	
CONTENT		
UPONOR STORMWISE IQ RETENTION TANK		
SCALE	NUMBER	
1:80 (A3)	1139923-5	