

4

3

2

1

F

F

E

E

D

D

C

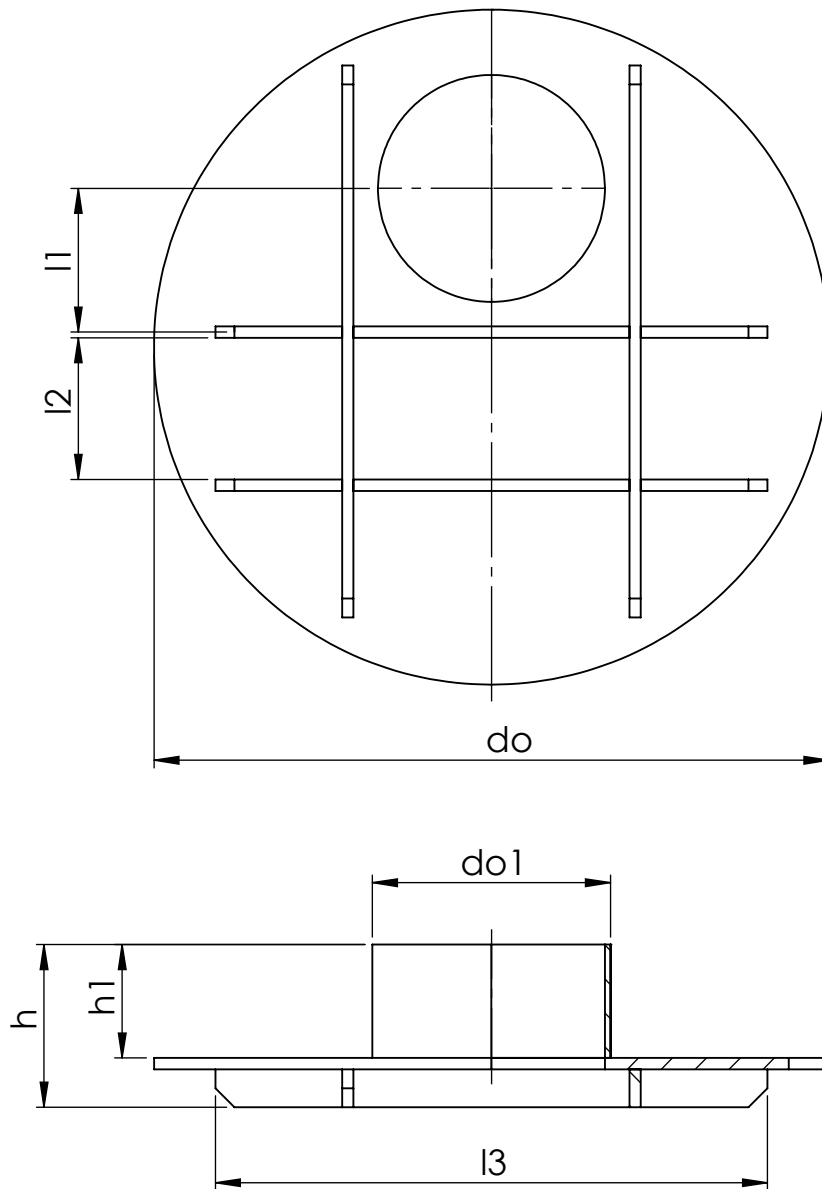
C

B

B

A

A



| Item | Size | d_i | d_o | d_{o1} | $l1$ | $l2$ | $l3$ | h | $h1$ |
|---------|------|-------|-------|----------|------|------|------|-----|------|
| 1135586 | 1600 | 581 | 1785 | 630 | 420 | 405 | 1600 | 430 | 300 |
| 1135588 | 1600 | 655 | 1785 | 710 | 730 | 730 | 1600 | 430 | 300 |
| 1135590 | 2000 | 581 | 2275 | 630 | 600 | 690 | 2000 | 430 | 300 |
| 1135592 | 2000 | 655 | 2275 | 710 | 600 | 690 | 2000 | 430 | 300 |

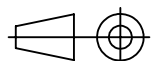
uponor

Description

Mounting dimensions
Valve Chamber Eccentric Top solution Non Traffic Area
Other

Drawing number

Z_valve_chamber_1600_630_eccentric_top_solution_non_traffic_area



Sheet: 1/1

4

3

2

1