

4

3

2

1

F

F

E

E

D

D

C

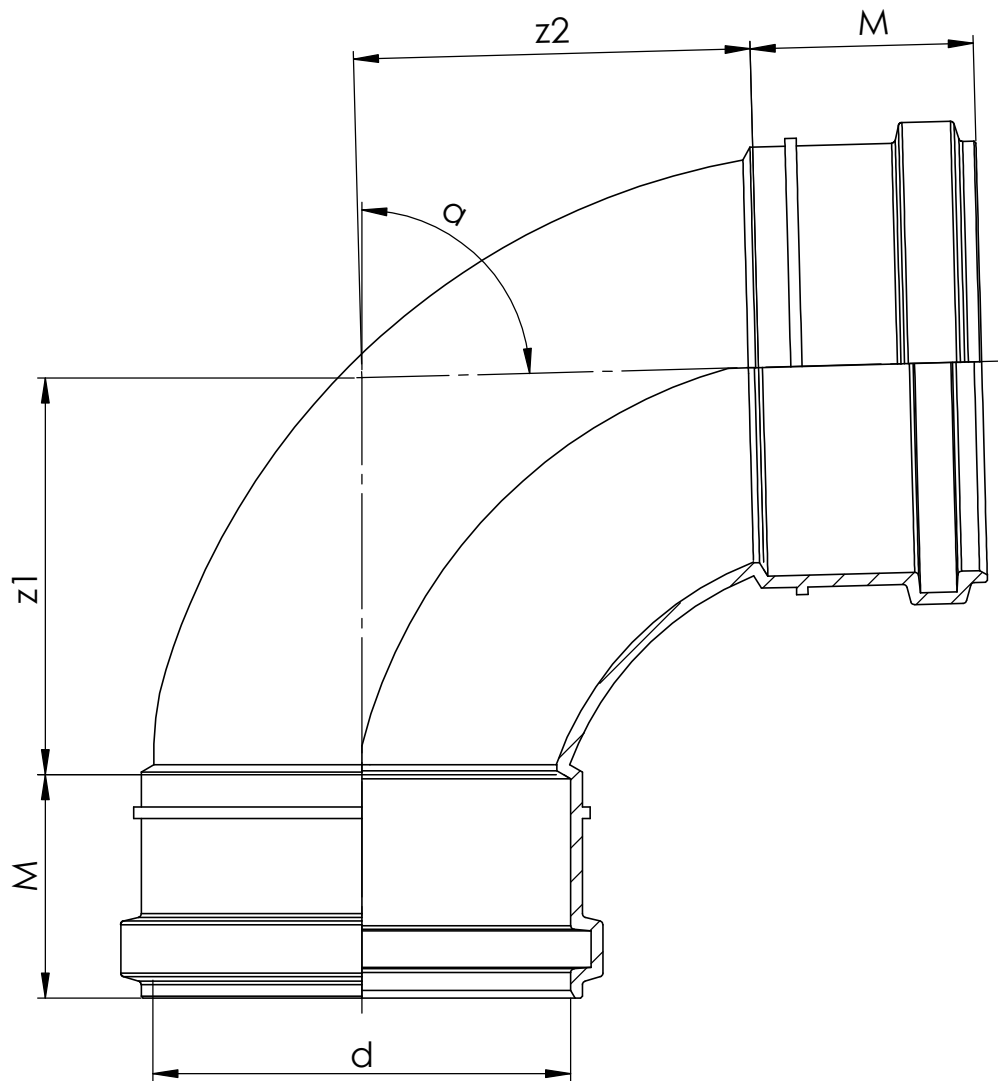
C

B

B

A

A



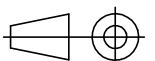
Item	Size	d	z1	z2	M	a
1050092	110	110	105	105	59	88,5°
1050093	160	160	157	157	77	87,5°

**Uponor**

Description  
INFRA  
Mounting dimensions  
Socket bend 88,5° and 87,5°  
Underground drainage

Drawing number  
Z\_Underground\_drainage\_socket\_bend\_88\_deg\_swept

Sheet: 1/1



4

3

2

1