

4

3

2

1

F

F

E

E

D

D

C

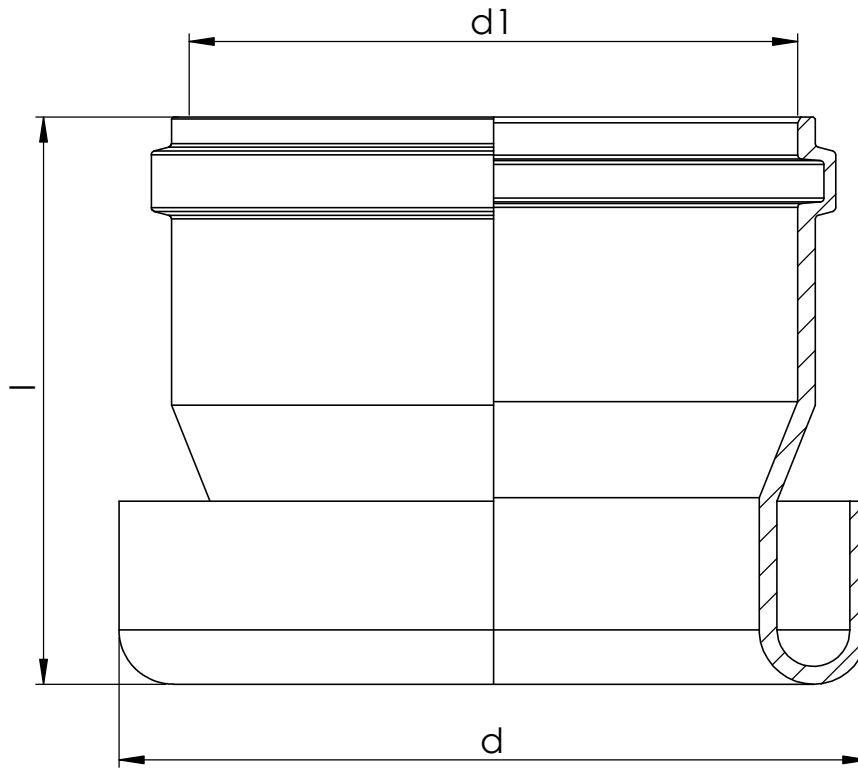
C

B

B

A

A



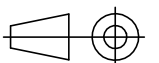
Item	Size	d	d1	l
1054499	160	198	160	150

**Uponor**

Description  
 INFRA  
 Mounting dimensions  
 Connector  
 Underground drainage

Drawing number  
 Z\_Underground\_drainage\_connector\_160

Sheet: 1/1



4

3

2

1