

4

3

2

1

F

F

E

E

D

D

C

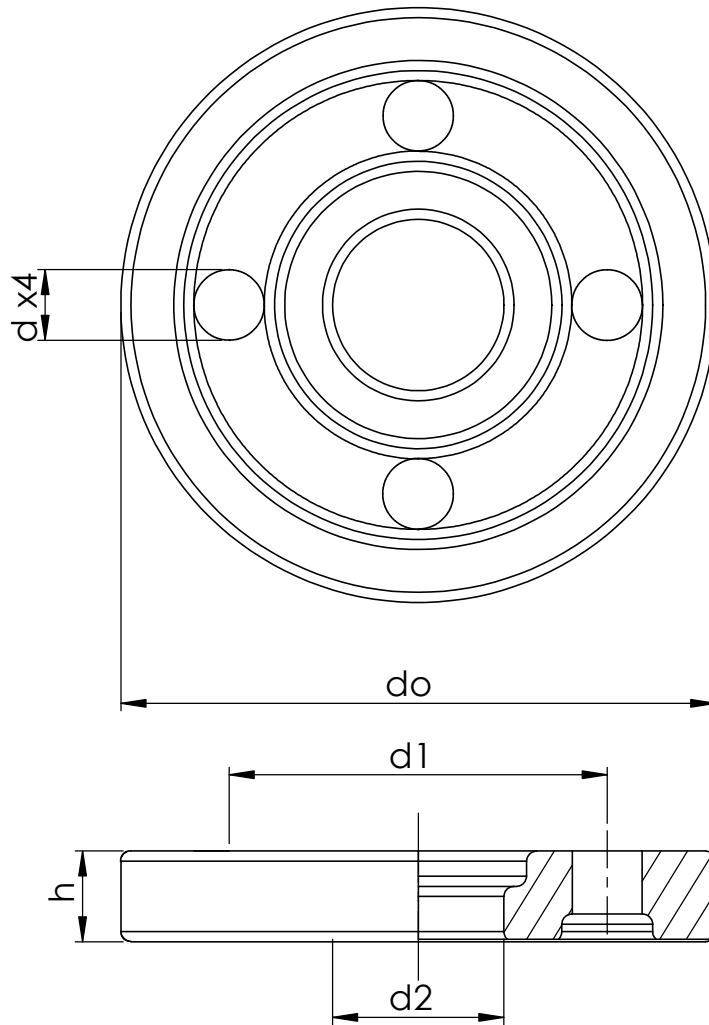
C

B

B

A

A



Item	Size (flange/collar)	d	Bolt size	d1	d2	do	h	Operating pressure (max)
1068652	20/25	14	M12	75	34	118	18	16
1068653	25/32	14	M12	85	42	122	17	16
1068654	32/40	18	M16	100	51	142	17	16
1053778	40/50	18	M16	110	62	150	19	16
1033666	65/75	18	M16	145	92	185	21	16

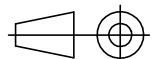
Uponor

Description

INFRA
Mounting dimensions
Pressure flange DN 15-65 PN10/PN16 PP
Flanges

Drawing number

Z_Pressure_flange_DN_15_65_PN10_PN16_PP



Sheet: 1/1

4

3

2

1