

4

3

2

1

F

F

E

E

D

D

C

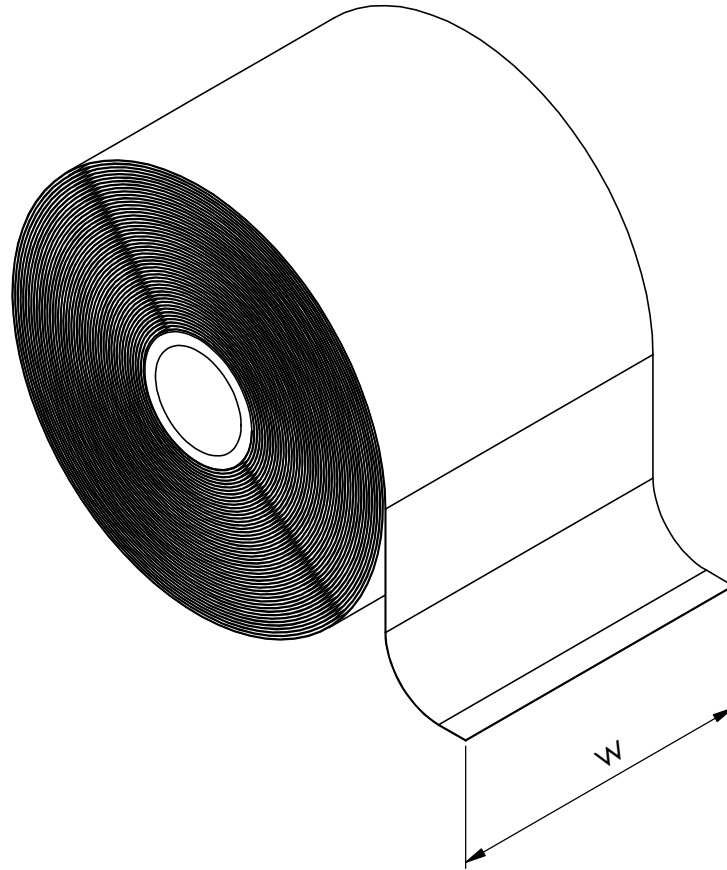
C

B

B

A

A



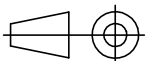
| Item | Size | Length | w |
|---------|------|--------|-----|
| 1072239 | 50 | 10 | 50 |
| 1073423 | 100 | 10 | 100 |

Uponor

Description
INFRA
Mounting dimensions
Densotape
Barrier accessories

Drawing number
Z_Densotape

Sheet: 1/1



4

3

2

1