

4

3

2

1

F

F

E

E

D

D

C

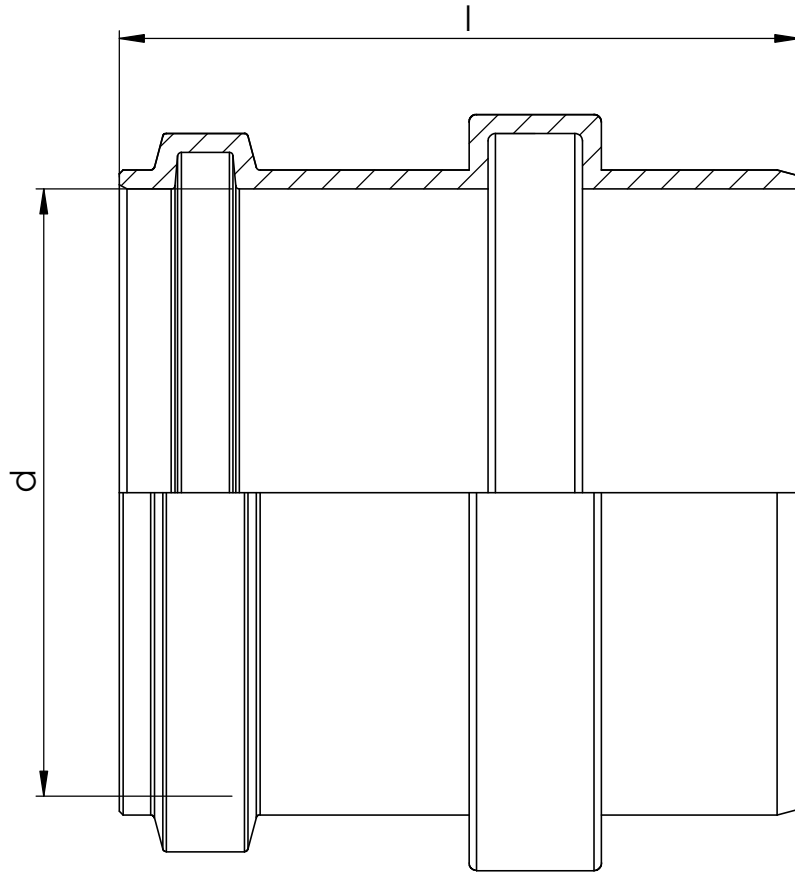
C

B

B

A

A



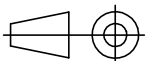
Item	Size	d	l
1050668	160	160	180

Uponor

Description
 INFRA
 Mounting dimensions
 Branch Socket
 Underground drainage

Drawing number
 Z_Underground_drainage_branch_socket

Sheet: 1/1



4

3

2

1