

4

3

2

1

F

F

E

E

D

D

C

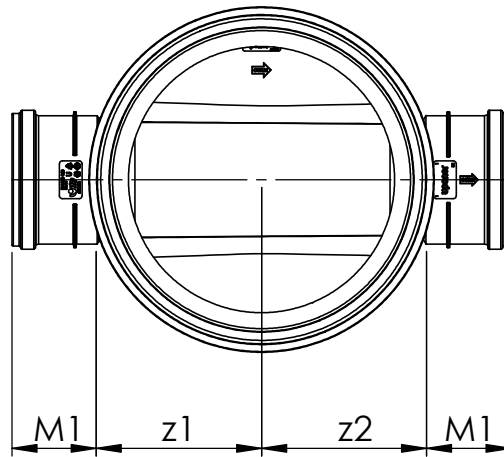
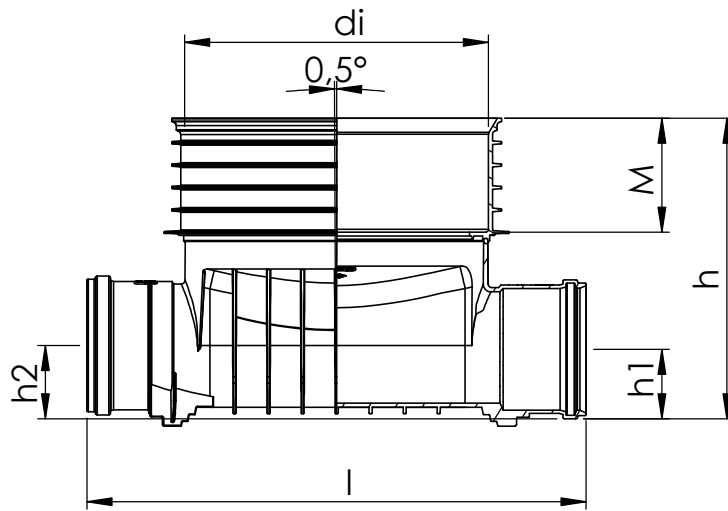
C

B

B

A

A



Item	Size	di	l	h	h1	h2	M	M1	z1	z2
1086643	400/110	400	546	353	64	79	151	59	214	214
1086645	400/160	400	660	398	92	97	151	112	218	218
1086647	400/200	400	710	447	114	121	151	129	226	226

**uponor**

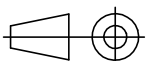
Description

INFRA  
Mounting dimensions  
Sewer inspection chamber packages

Drawing number

Z\_Sewer\_chamber\_T1\_for\_corrugated\_riser\_110-200

Sheet: 1/1



4

3

2

1