

4

3

2

1

F

F

E

E

D

D

C

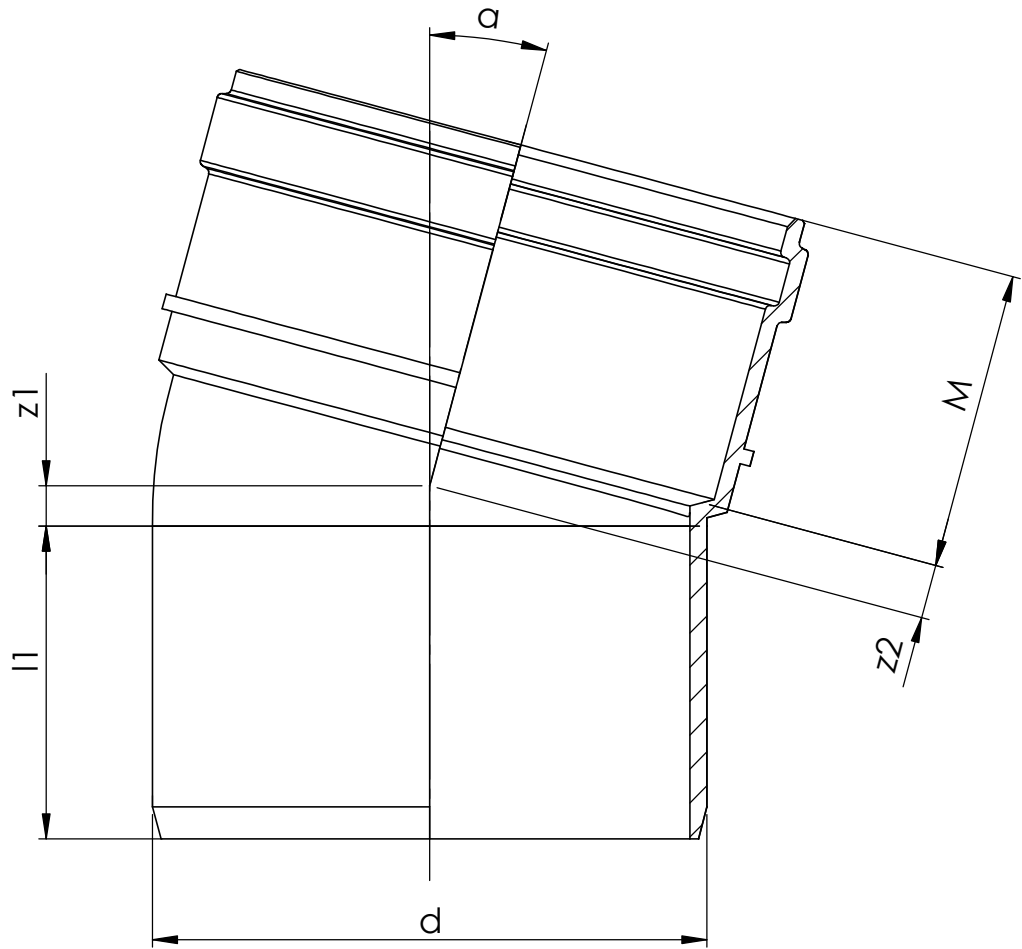
C

B

B

A

A



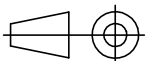
| Item | Size | d | l1 | z1 | z2 | M | a |
|---------|------|-----|-----|----|----|----|-----|
| 1071970 | 110 | 110 | 62 | 8 | 11 | 59 | 15° |
| 1050065 | 160 | 160 | 107 | 11 | 36 | 82 | 15° |

Uponor

Description
INFRA
Mounting dimensions
Bend 15°
Underground drainage

Drawing number
Z_Underground_drainage_bend_15_deg

Sheet: 1/1



4

3

2

1