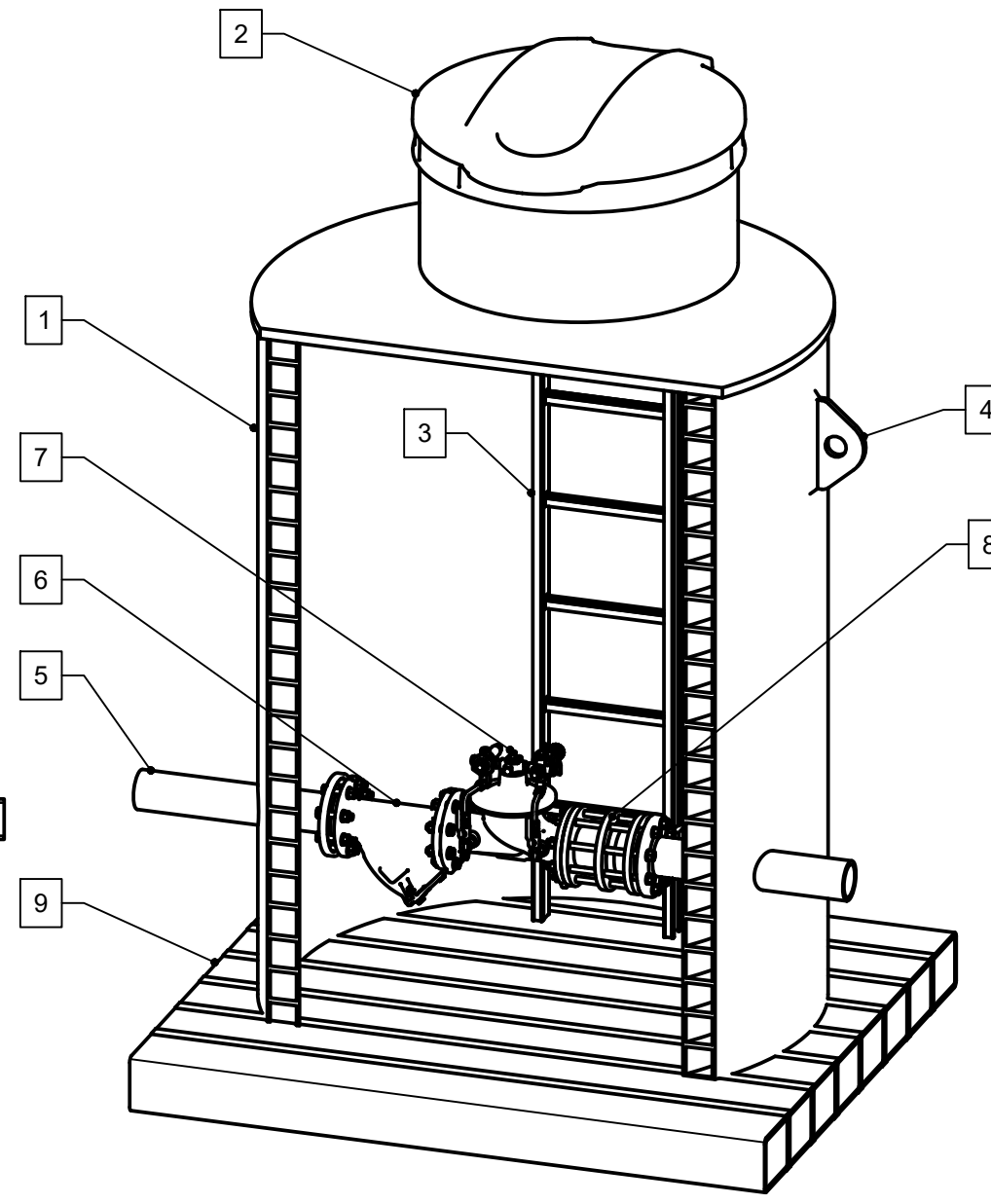
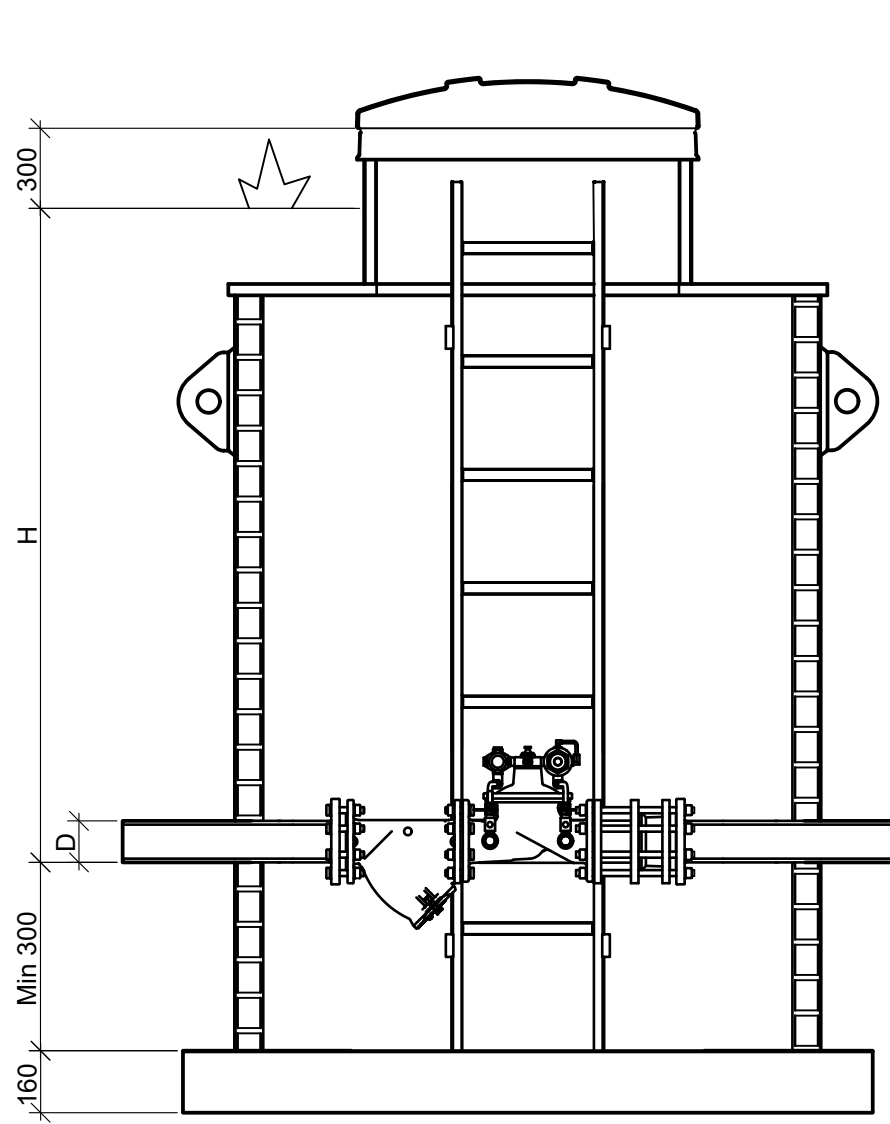
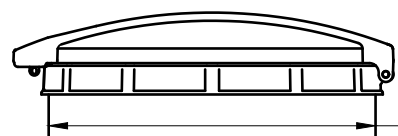
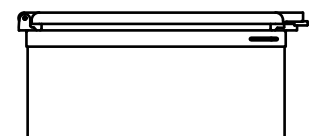
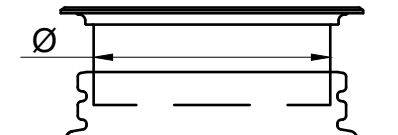
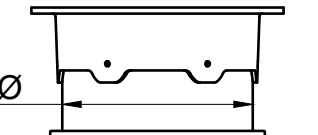



# Uponor Flowise Pressure reduction chamber



Pressure reduction chamber			
Pos.	Description	Model/Size	Qty.
1	Chamber body PE100	Acc. selection	1
2	Chamber top	Acc. selection	1
3	Ladder	Acc. selection	0-1
4	Lifting yoke		2-4
5	Pressure pipe	Acc. selection	1
6	Strainer Valve	Acc. selection	1
7	Pressure regulating valve	Acc. selection	1
8	Dismantling joint	( ) YES ( ) NO	1
9	Bottom, self anchoring		1

Selections	
Feature	Selection
Chamber body diameter	( ) 1000 ( ) 1200 ( ) 1250 ( ) 1400 ( ) 1600 ( ) 2000 ( ) 2400 ( ) 3000 ( ) Other: _____
Top solution	( ) A ( ) B ( ) D ( ) E
Ladder*	( ) YES ( ) NO
Groundwater level above invert	( ) YES ( ) NO _____ m
Handrail*	( ) YES ( ) NO
Pressure pipe invert from ground level	H= _____ mm
Pressure pipe diameter	D= _____ mm PN= _____
Secondary pressure	_____ bar
Gate Valve	( ) NO ( ) 1 pce ( ) 2 pce
Strainer Valve	( ) YES ( ) NO

<input type="checkbox"/> Ø 860/800 <input type="checkbox"/> Safety gridd 	<b>A</b>	<input type="checkbox"/> 600X600 aluminium <input type="checkbox"/> 800X800 aluminium 	<b>B</b>
<input type="checkbox"/> Ø600 cast iron 40tn <input type="checkbox"/> Ø630 cast iron 40tn <input type="checkbox"/> Without cast iron cover 	<b>D</b>	<input type="checkbox"/> Ø630 cast iron 40tn 0,75m <input type="checkbox"/> Ø800 cast iron 40tn 0,75m 	<b>E</b>



WWW.UPONOR.COM

CASE NUMBER	DRAWN BY	HANDLED BY
DATE	CONTACT PERSON	
Pressure reduction chamber		
SCALE	NUMBER	
1:20 (A3)	1140530-1	