

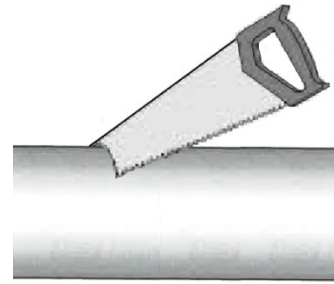
Installation Instructions Uponor Smooth Sewer Pipes

How to cut pipes and install pipe joints of these products:



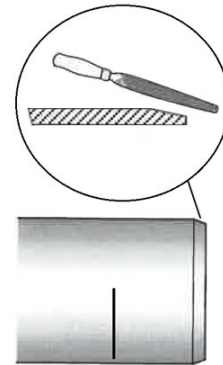
1. Cut the pipe perpendicularly using a fine-tooth hand saw or a pipe cutter.

Clean the cut chips from the cut lines and from inside the pipe.

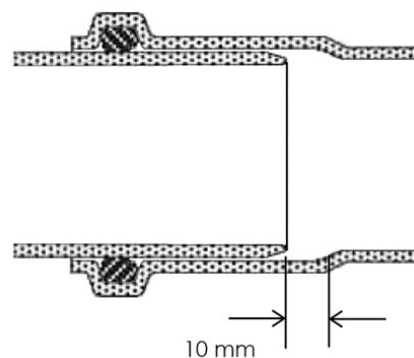


2. Make a chamfer to the pipe end.

Mark installation depth to the pipe so that a 10 mm space is left between pipe end and bottom of the socket.



3. Measure the length to the bottom of the socket and take 10 mm out. That is the length for the installation marking from the end of the pipe.



4. Clean the socket, pipe end and the sealing ring.

Check that the sealing ring is correctly installed.

Spread lubricant to pipe end.

Check for cleanliness once more.

Install the pipe.

NOTE! Installation depth marking must remain visible.

