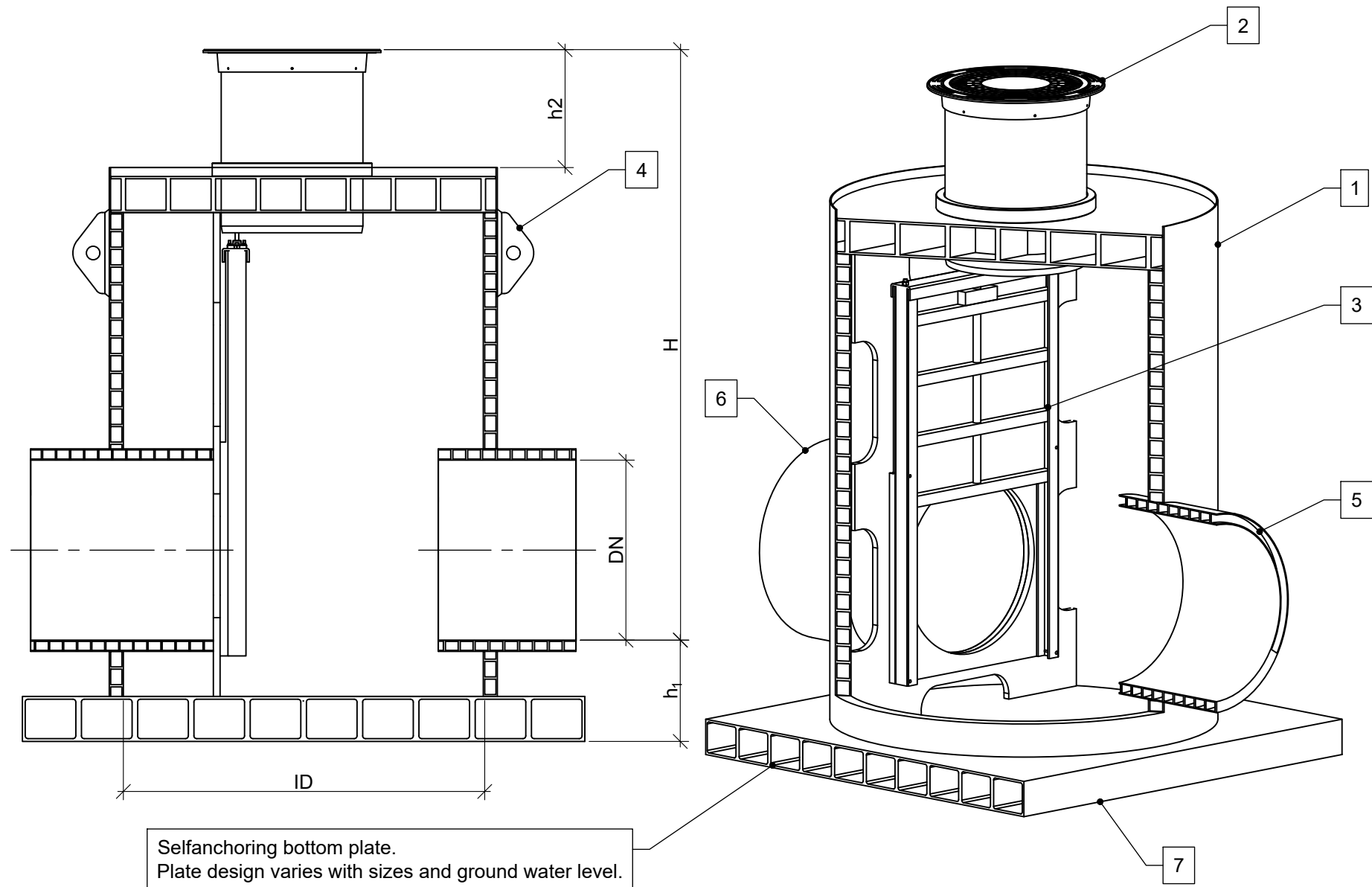


Uponor Stormwise Sluice gate chamber



Selfanchoring bottom plate.
Plate design varies with sizes and ground water level.

Sluice gate chamber			
Pos.	Description	Model/Size	Qty.
1	Chamber body PE100	Acc. selection	1
2	Chamber top	Acc. selection	1
3	Gate valve	Acc. selection	1
4	Lifting yoke		2-4
5	Outlet pipe	Acc. selection	1
6	Inlet pipe	Acc. selection	
7	Bottom, self anchoring	Acc. selection	1

Selections	
Feature	Selection
Chamber body diameter	<input type="checkbox"/> 800 <input type="checkbox"/> 1000 <input type="checkbox"/> 1200 <input type="checkbox"/> 1250 <input type="checkbox"/> 1400 <input type="checkbox"/> 1600 <input type="checkbox"/> 1800 <input type="checkbox"/> 2000 <input type="checkbox"/> 2400 <input type="checkbox"/> 3000 <input type="checkbox"/> 3400 <input type="checkbox"/> 3500 <input type="checkbox"/> Other _____
Top solution	<input type="checkbox"/> A <input type="checkbox"/> B <input type="checkbox"/> C <input type="checkbox"/> D
Groundwater level above invert	<input type="checkbox"/> YES <input type="checkbox"/> NO _____ m
Gate valve size and specification	
Inlet type and diameter	DN = _____ mm Angle: _____ Type: _____
Outlet type and diameter	DN = _____ mm Angle: _____ Type: _____
Other information	

<input type="checkbox"/> Ø 860/800 <input type="checkbox"/> Safety gritt 	<input type="checkbox"/> 600X600 aluminium <input type="checkbox"/> 800X800 aluminium
<input type="checkbox"/> Ø630 cast iron 40tn <input type="checkbox"/> 	<input type="checkbox"/> Ø630 cast iron 40tn <input type="checkbox"/> Ø800 cast iron 40tn

DN	ID	H	h ₁	h ₂
300	≥800	≥1150	≥250	≥500
400	≥1000	≥1350	≥250	≥500
500	≥1200	≥1550	≥300	≥500
600	≥1400	≥1750	≥400	≥500
800	≥1600	≥2350	≥400	≥500
1000	≥2000	≥2900	≥400	≥500
1200	≥2000	≥3450	≥400	≥500
1400	≥2400	≥4200	≥400	≥500

CASE NUMBER	DRAWN BY	HANDLED BY
DATE	CONTACT PERSON	
31.01.2023		
CONTENT		
Sluice gate chamber		
SCALE	NUMBER	
1:20 (A3)	1138352-SG	