

4

3

2

1

F

F

E

E

D

D

C

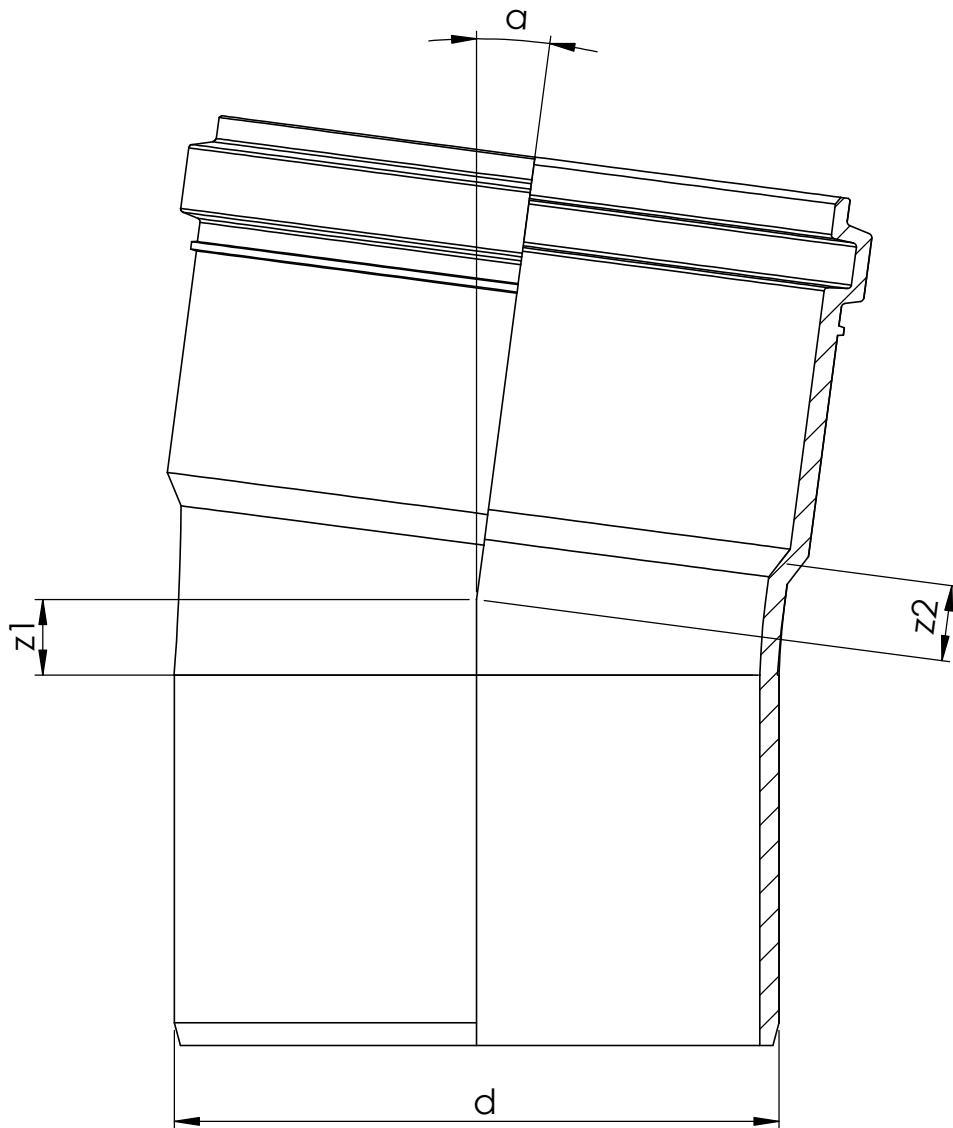
C

B

B

A

A



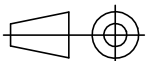
Item	Size	d	z1	z2	a
1053999	160	160	20	20	7.5°

**Uponor**

Description  
INFRA  
Mounting dimensions  
Bend 7.5°  
Underground drainage

Drawing number  
Z\_Underground\_drainage\_bend\_7\_deg

Sheet: 1/1



4

3

2

1