

4

3

2

1

F

F

E

E

D

D

C

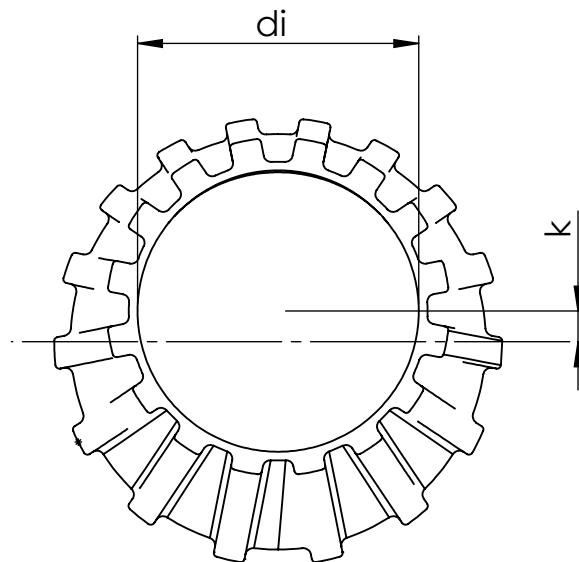
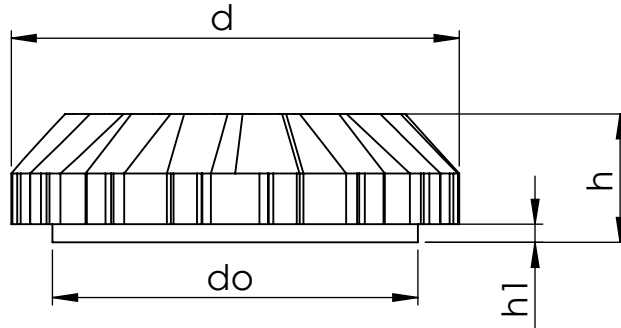
C

B

B

A

A



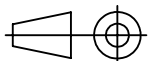
Item	Size	d	di	do	h	h1	k
1055763	1000	1185	744	966	340	48	81
1055764	1300	1470	744	1280	660	50	150

Uponor

Description
 Infra
 Mounting dimensions
 Chamber components

Drawing number
 Z-Manhole_Reducer_not_to_scale

Sheet: 1/1



4

3

2

1