

4

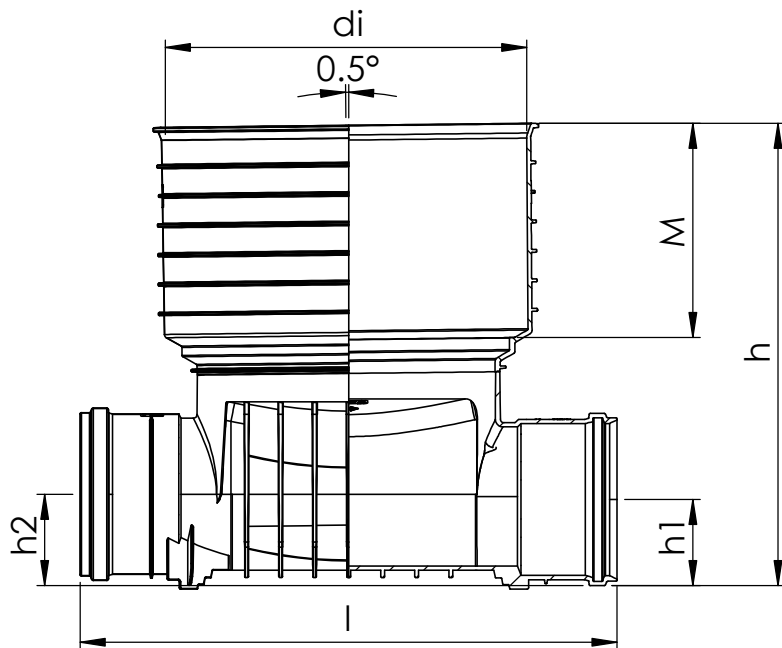
3

2

1

F

F

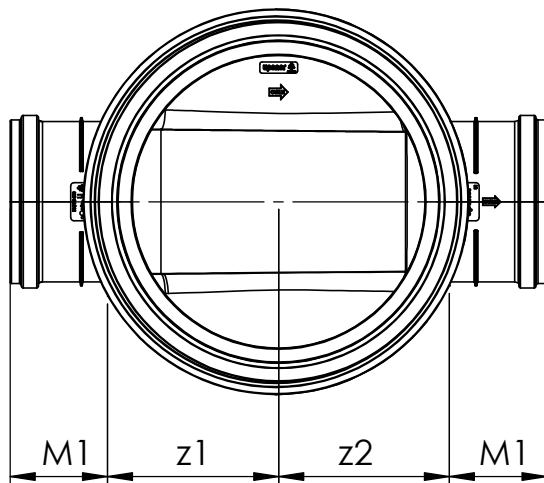


E

E

D

D



C

C

B

B

Item	Size	di	l	h	h1	h2	M	M1	z1	z2
1050411	425/110	425	546	518	64	79	283	59	214	214
1050479	425/160	425	660	566	92	97	283	112	218	218
1050483	425/200	425	710	611	114	121	283	129	226	226

A

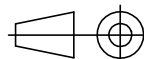
A

uponor

Description
INFRA
Mounting dimensions
Sewer inspection chamber packages

Drawing number
Z_Sewer_chamber_T1_425-110-200

Sheet: 1/1



4

3

2

1