

4

3

2

1

F

F

E

E

D

D

C

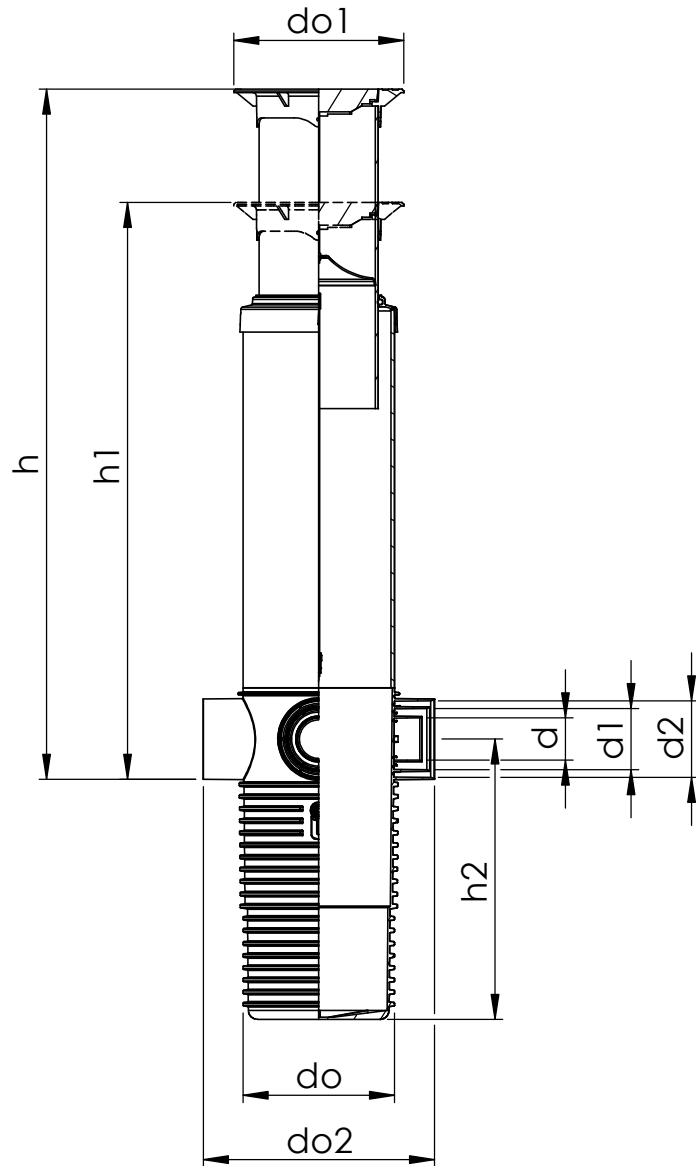
C

B

B

A

A



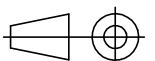
Item	Size	d	d1	d2	do	do1	do2	h	h1	h2
1050793	400/315	110	160	200	400	450	611	1300	800	742
1050794	400/315	110	160	200	400	450	611	1700	1200	742
1050795	400/315	110	160	200	400	450	611	2200	1700	742

uponor

Description
INFRA
Mounting dimensions
Storm water inspection chamber
packages

Drawing number
Z_Storm_chamber_round_grated_cover_set

Sheet: 1/1



4

3

2

1