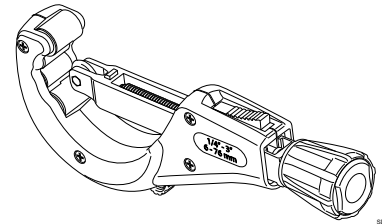
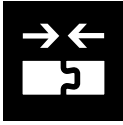
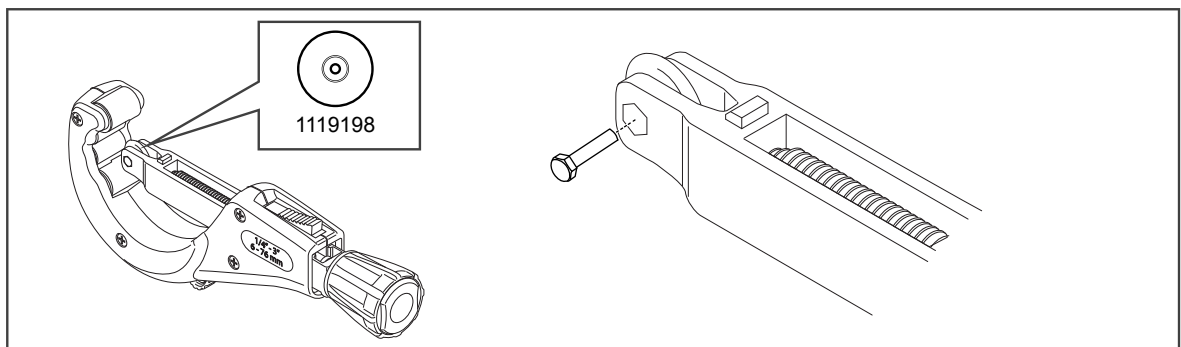
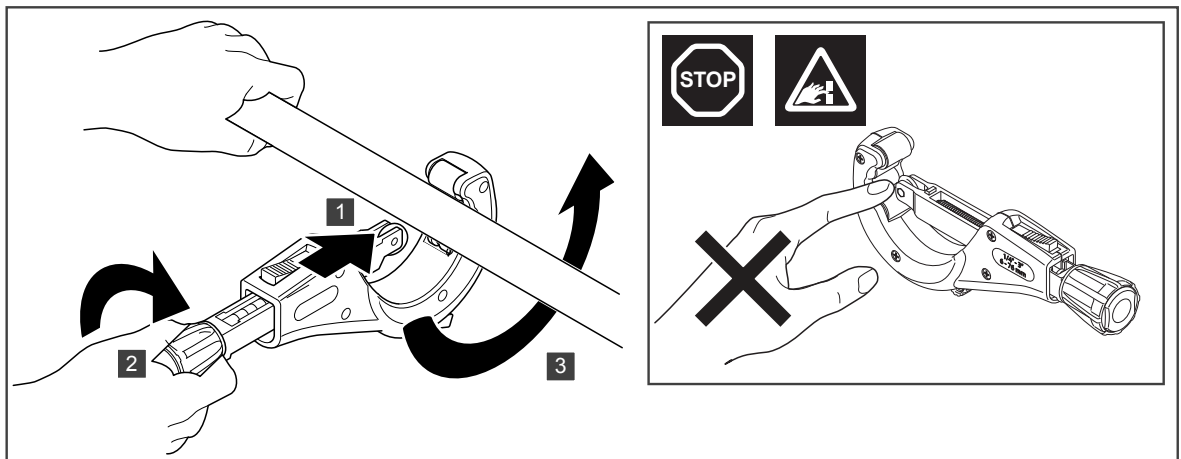
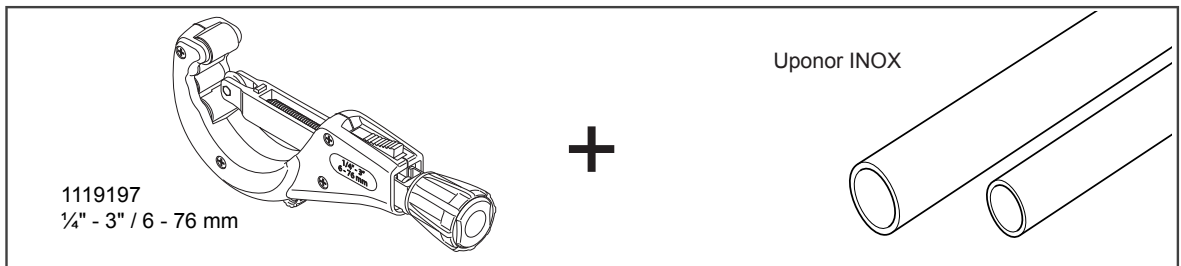


## Uponor INOX pipe cutting tool



S10000112



S10000406

### Uponor GmbH

Industriestraße 56,  
D-97437 Hassfurt, Germany

1119967 v1\_01\_2021\_INT  
Production: Uponor/DCO

Uponor reserves the right to make changes, without prior notification, to the specification of incorporated components in line with its policy of continuous improvement and development.

