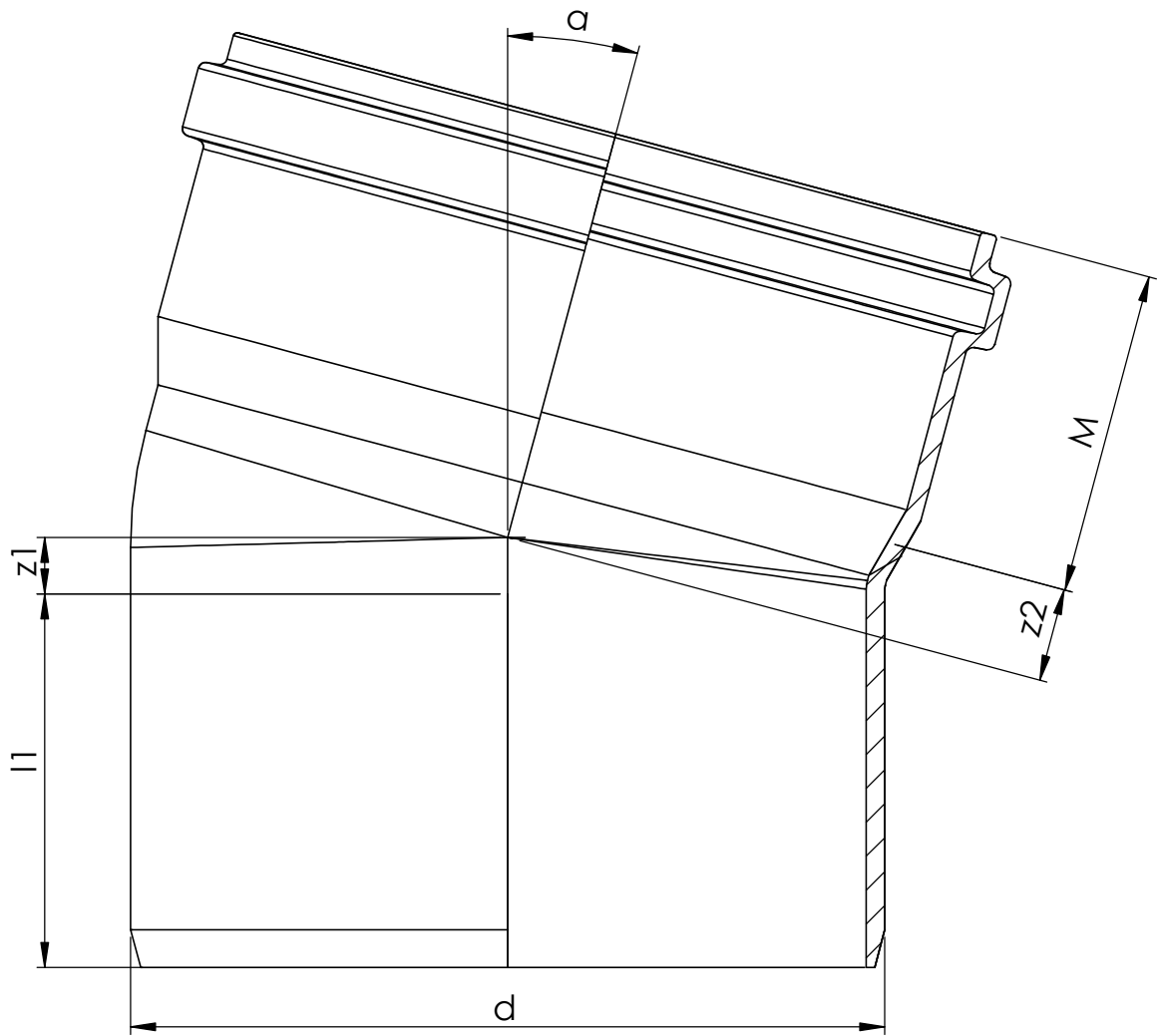


4

3

2

1



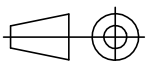
Item	Size	d	l1	z1	z2	M	$\alpha$
1050567	200	200	99	15	25	86	15°
1053668	250	250	125	28	34	111	15°
1050568	315	315	132	35	42	125	15°
1050569	400	400	150	34	53	142	15°

**uponor**

Description  
INFRA  
Mounting dimensions  
PVC Fittings

Drawing number  
Z\_PVC\_fittings\_sewer\_bend\_15\_deg

Sheet: 1/1



4

3

2

1