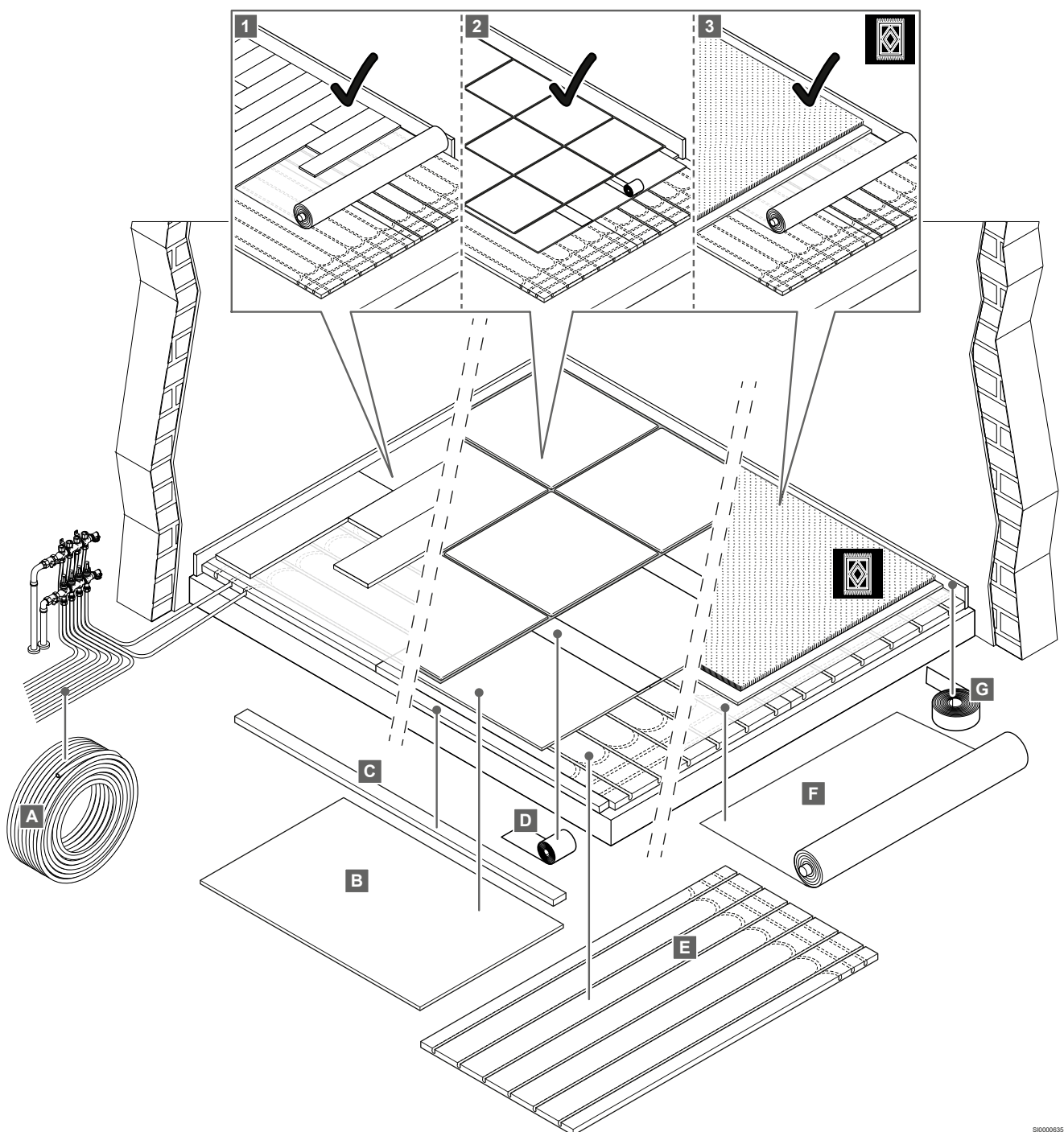
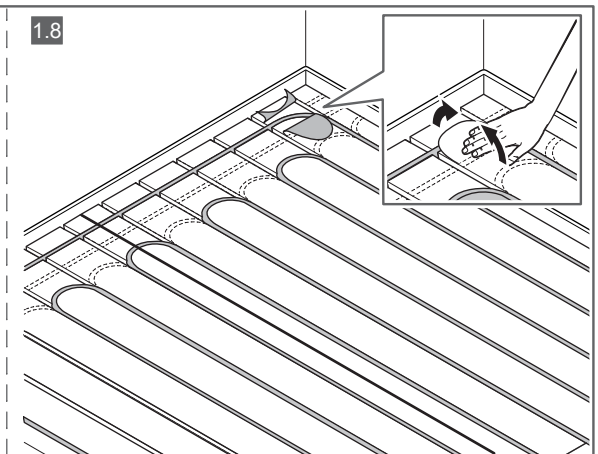
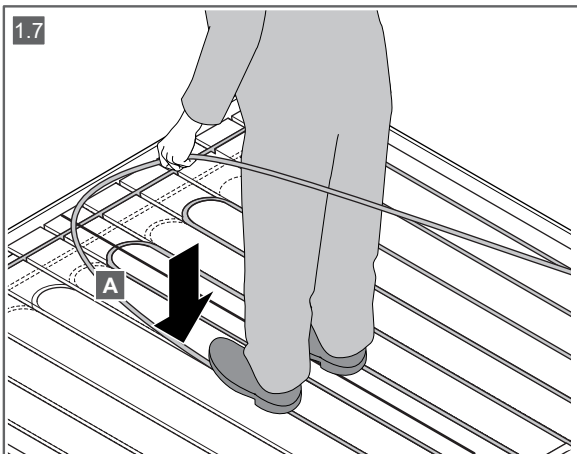
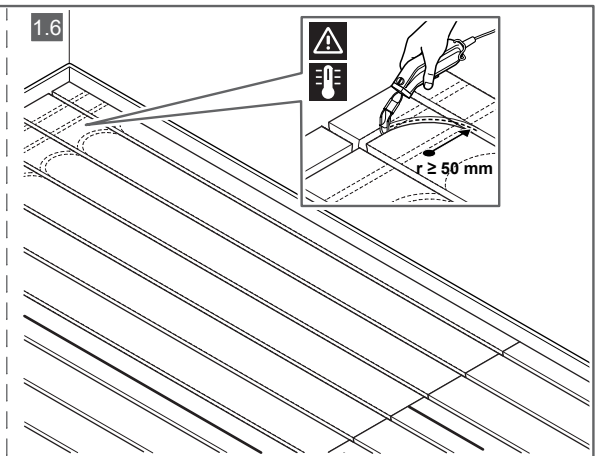
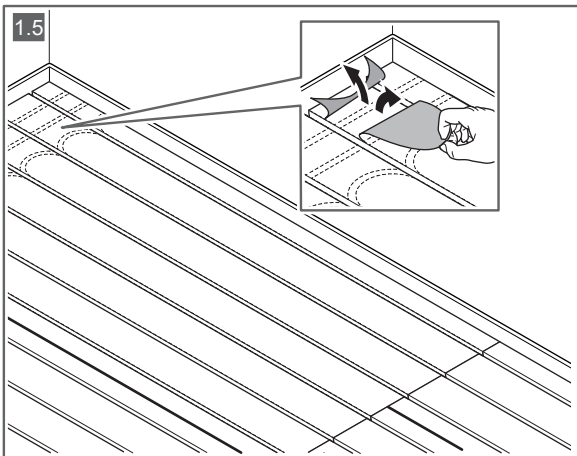
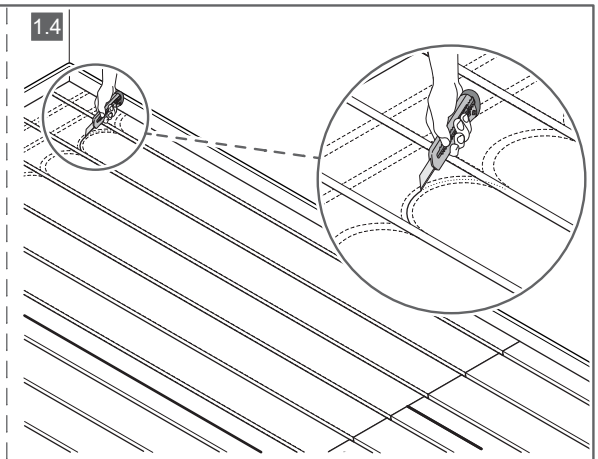
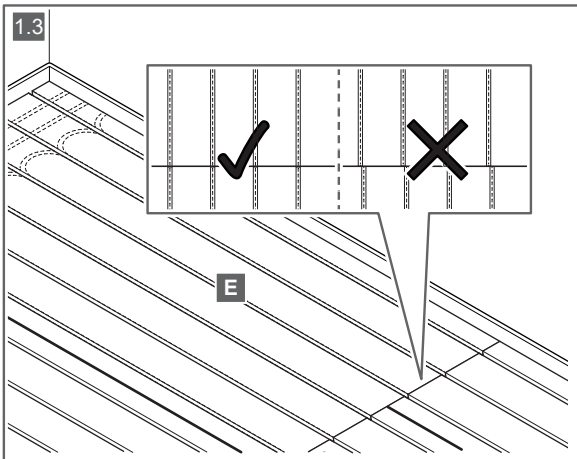
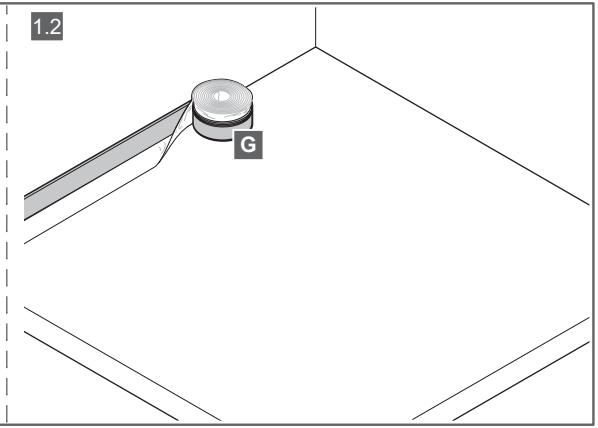
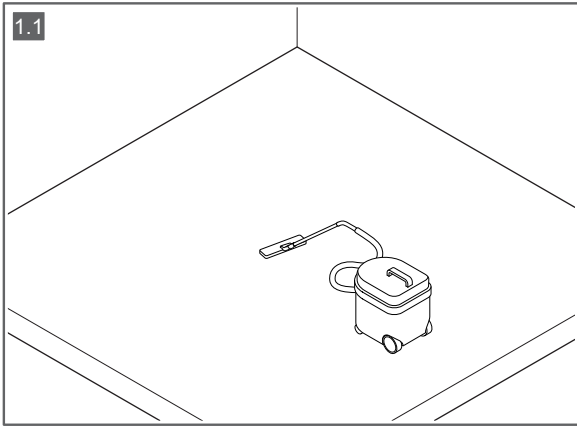
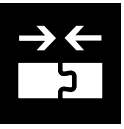
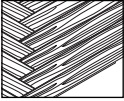


## Uponor Siccus Mini underfloor heating and cooling system

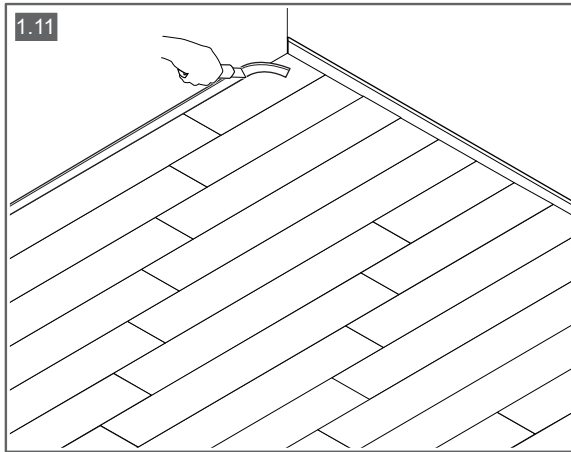
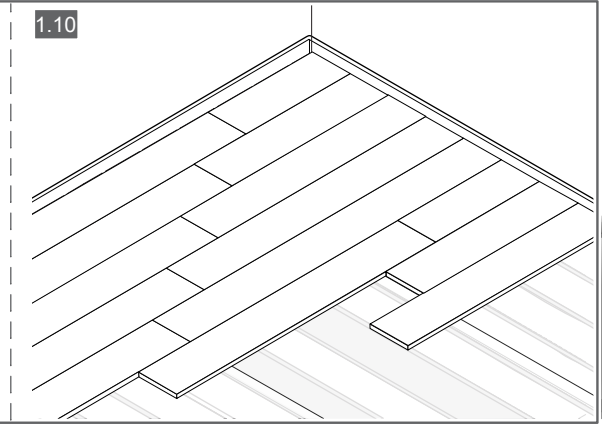
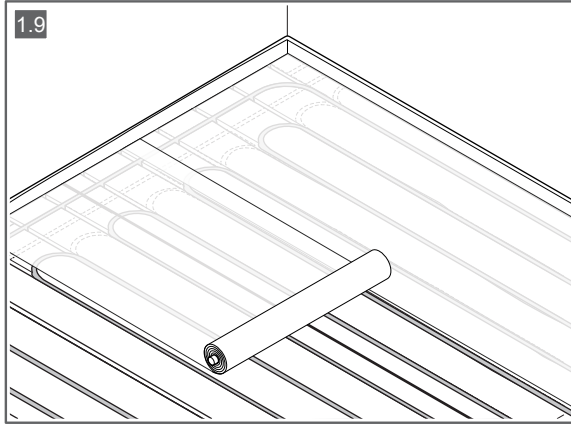
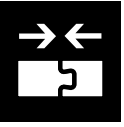
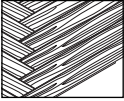


1

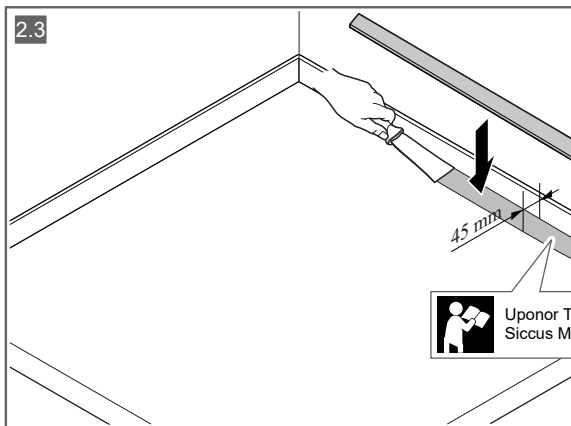
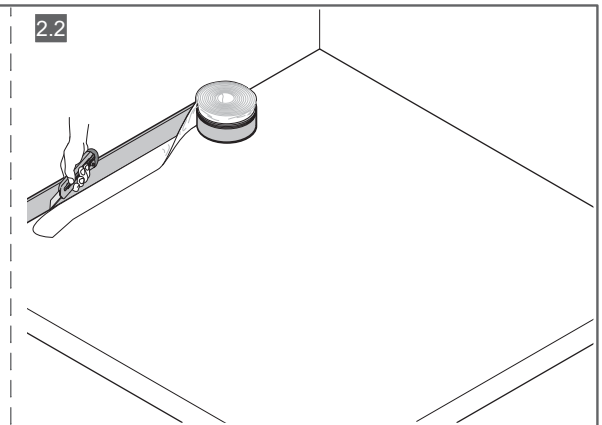
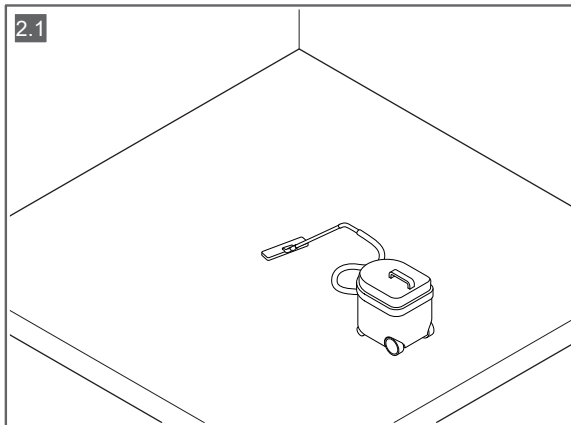
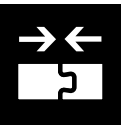
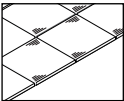


S10000630

1



2



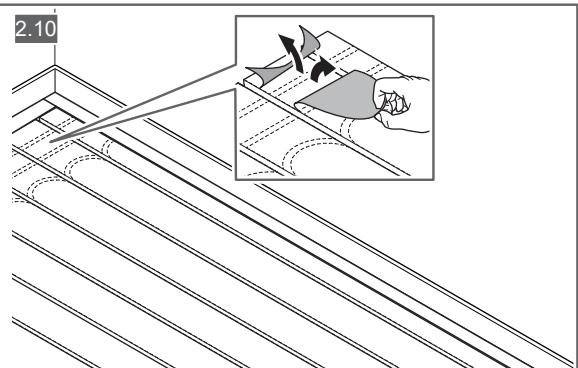
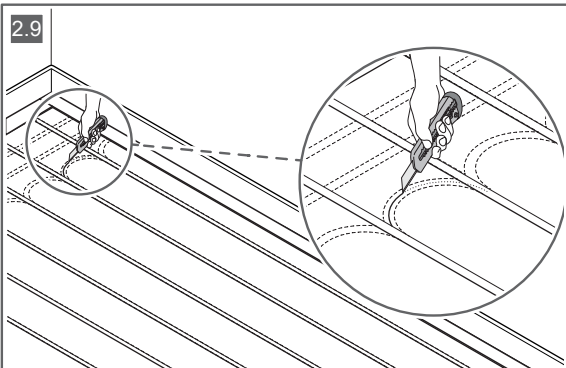
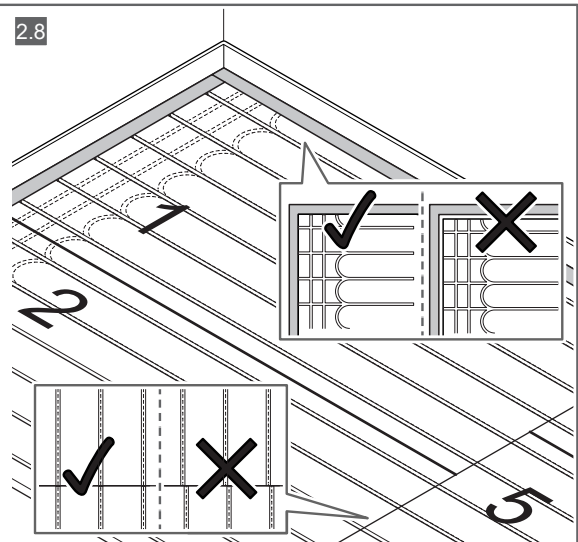
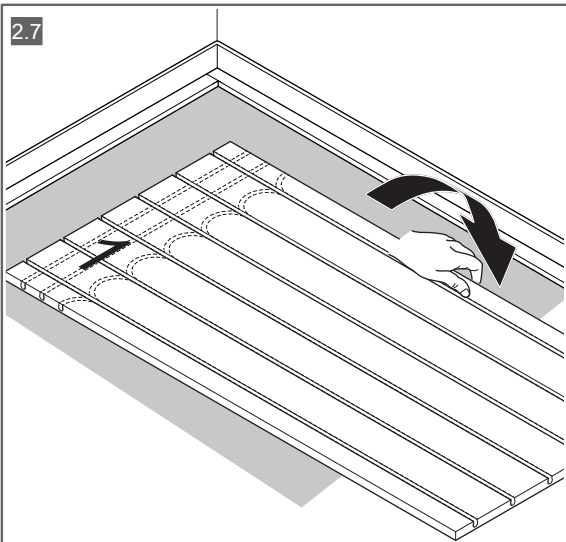
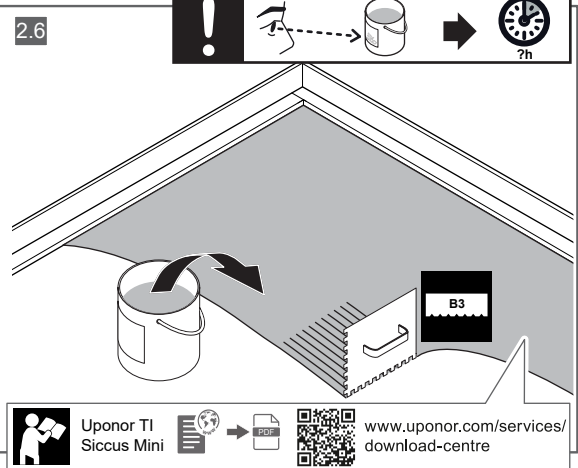
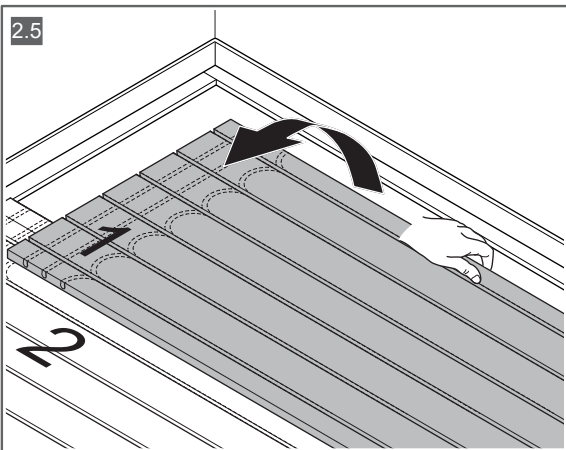
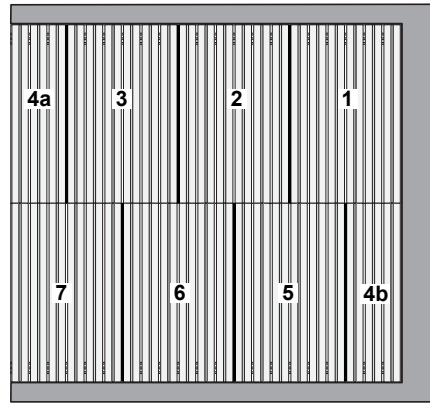
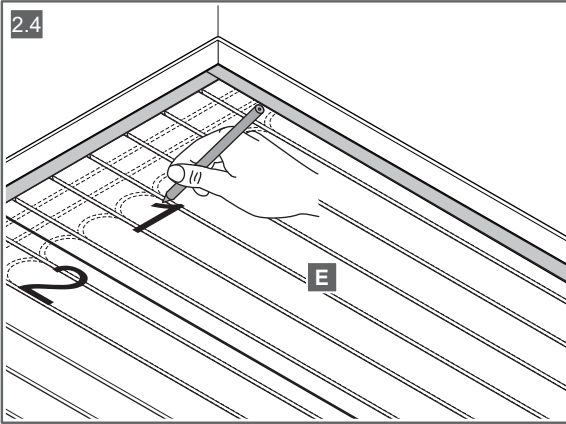
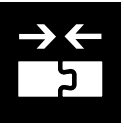
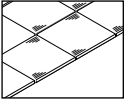
Uponor TI  
Siccus Mini



[www.uponor.com/services/download-centre](http://www.uponor.com/services/download-centre)

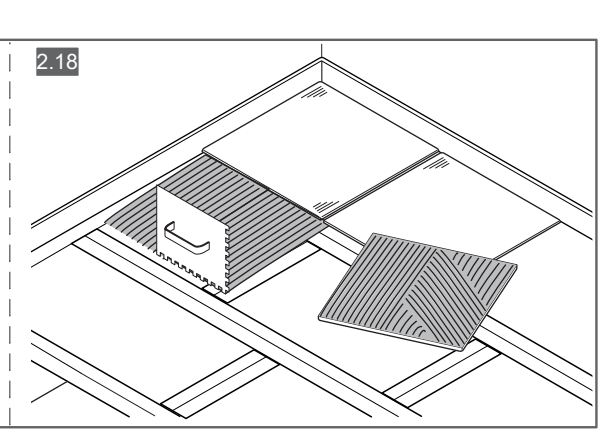
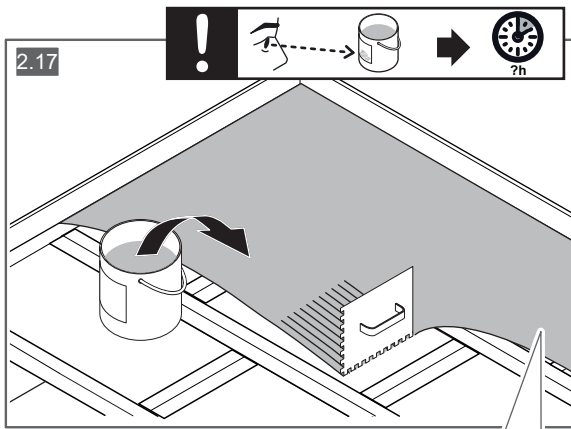
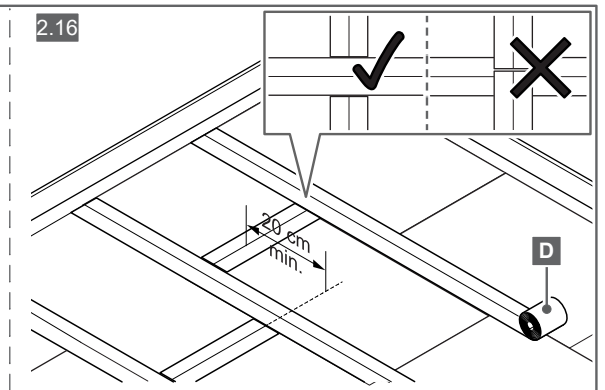
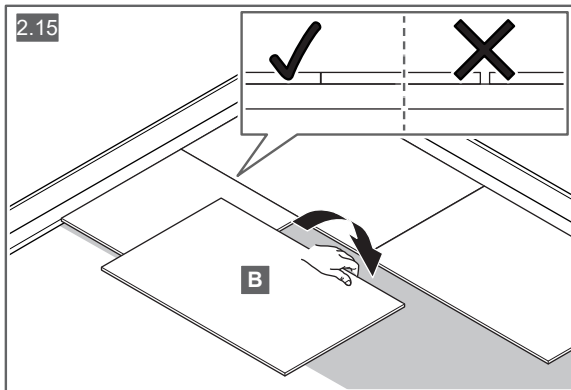
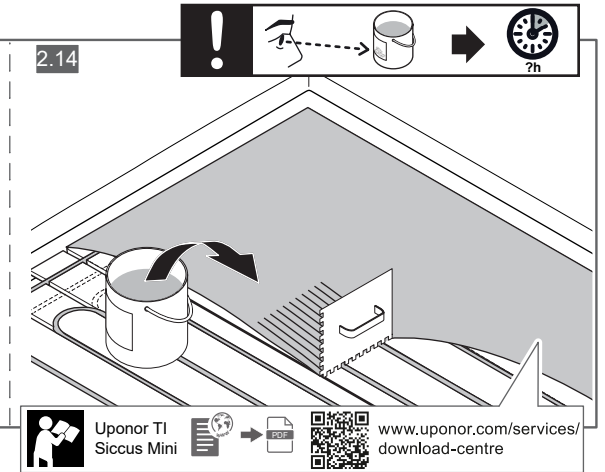
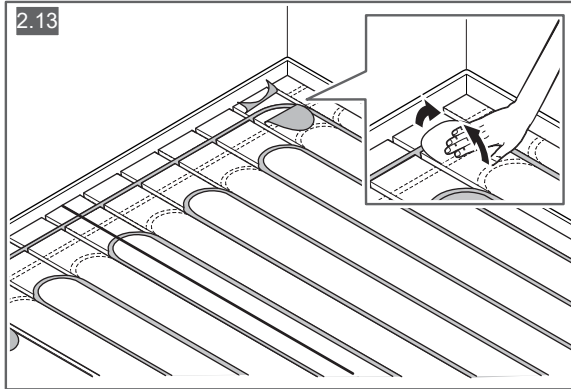
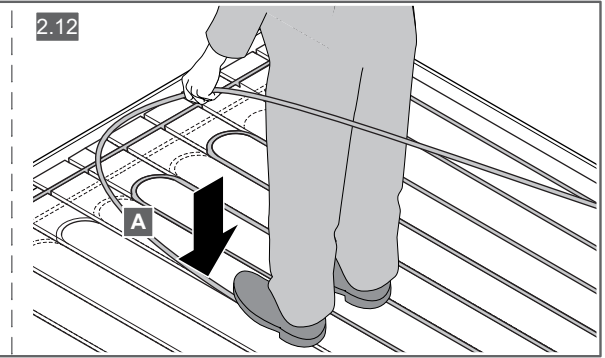
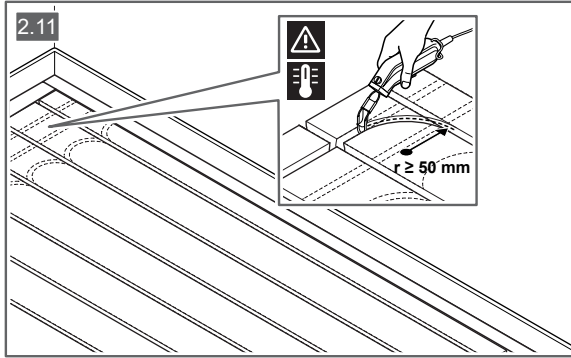
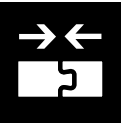
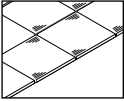
S1000637

2



S10000638

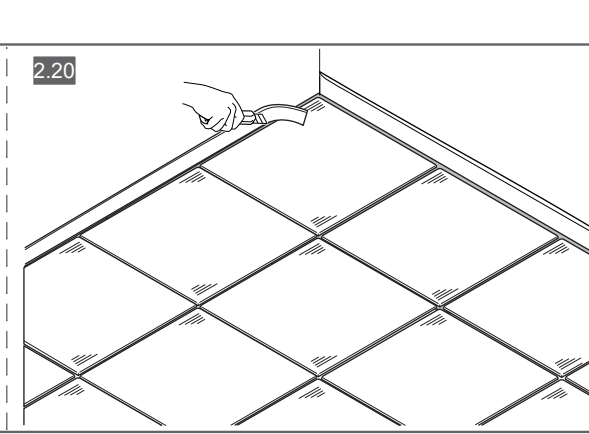
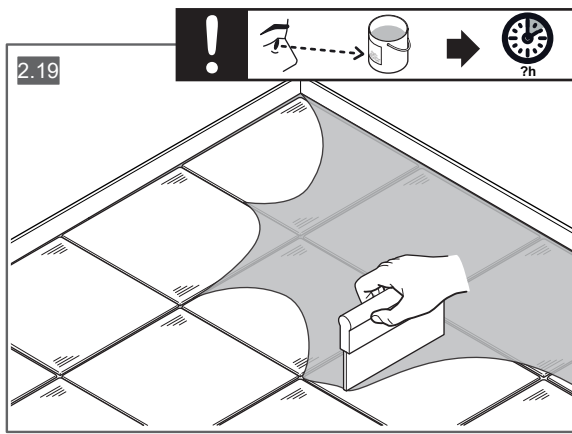
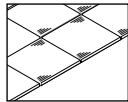
2



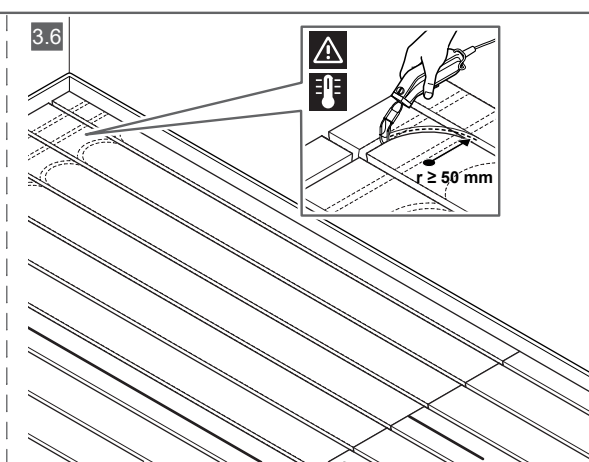
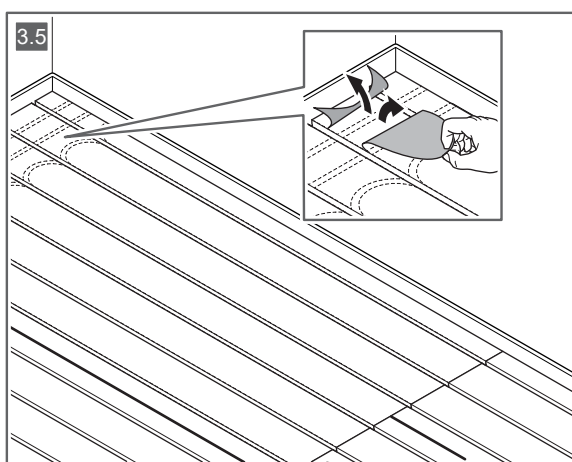
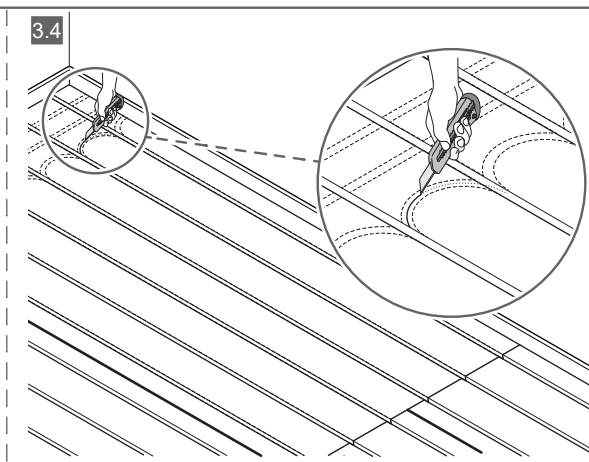
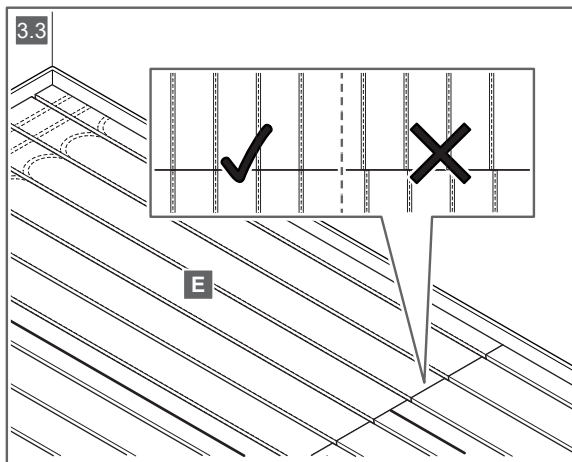
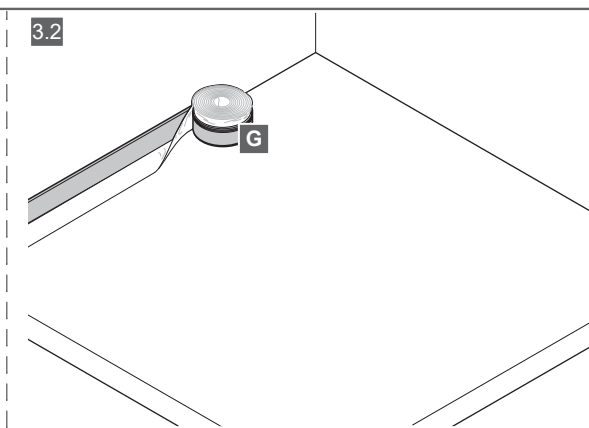
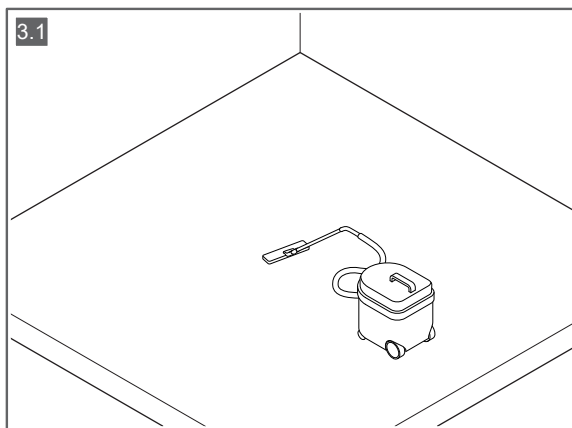
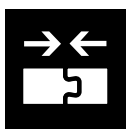
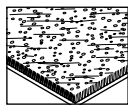
S10000639



2

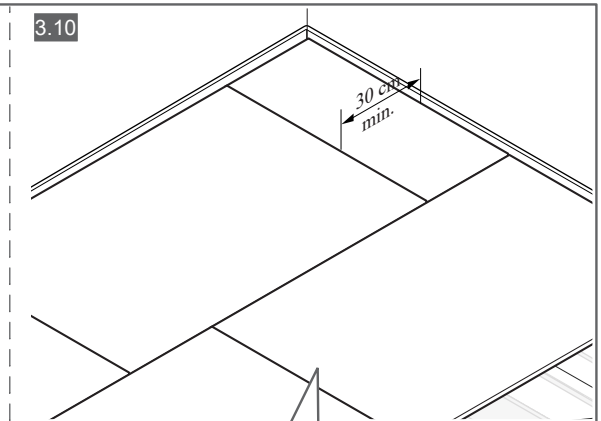
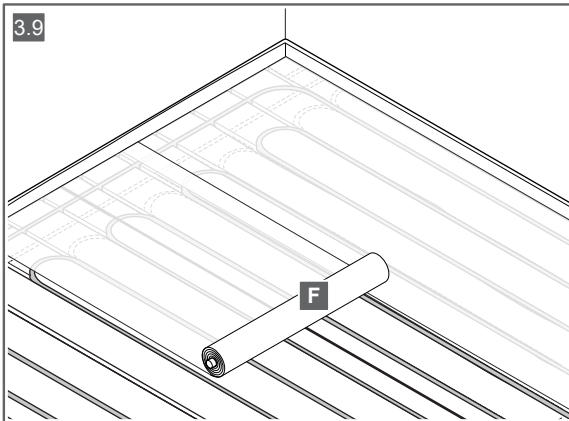
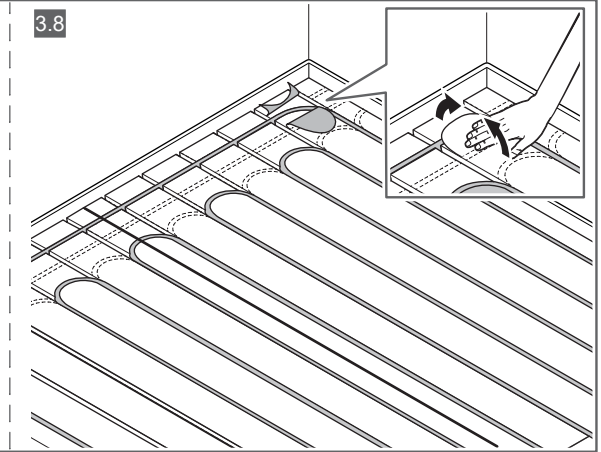
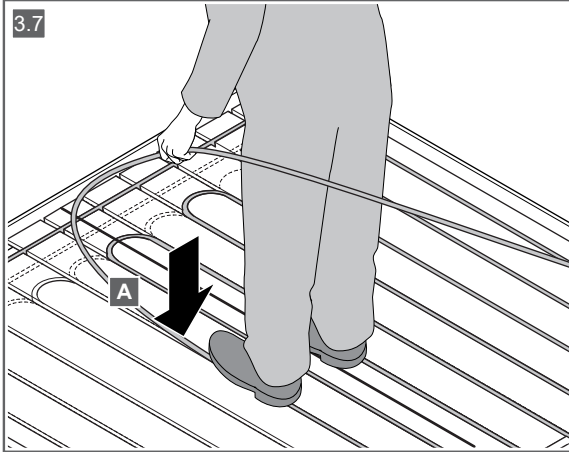
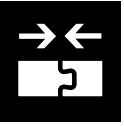
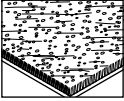


3



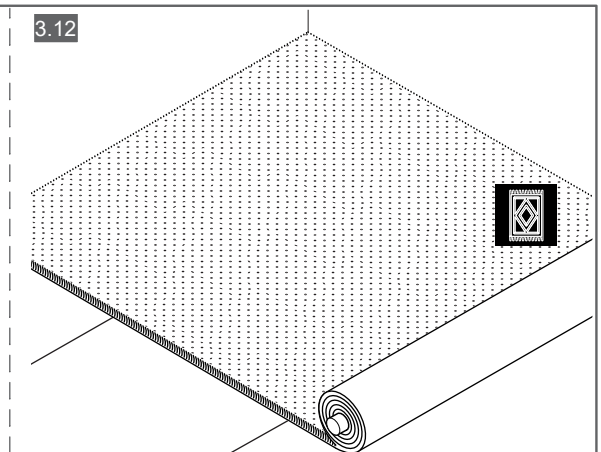
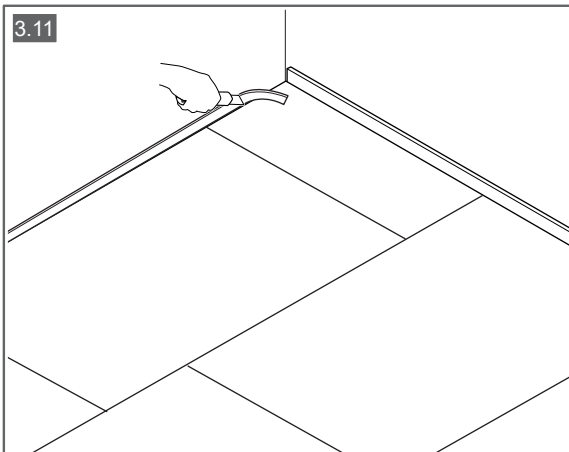
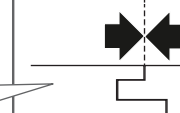
S10000643

3




**Uponor TI**  
**Siccus Mini**


[www.uponor.com/services/download-centre](http://www.uponor.com/services/download-centre)



SI0000644

**Uponor GmbH**

Industriestraße 56,  
D-97437 Hassfurt, Germany

1140147 v1\_05\_2023\_INT  
Production: Uponor/SKA

Uponor reserves the right to make changes, without prior notification,  
to the specification of incorporated components in line with its policy of  
continuous improvement and development.



[www.uponor.com](http://www.uponor.com)