

4

3

2

1

F

F

E

E

D

D

C

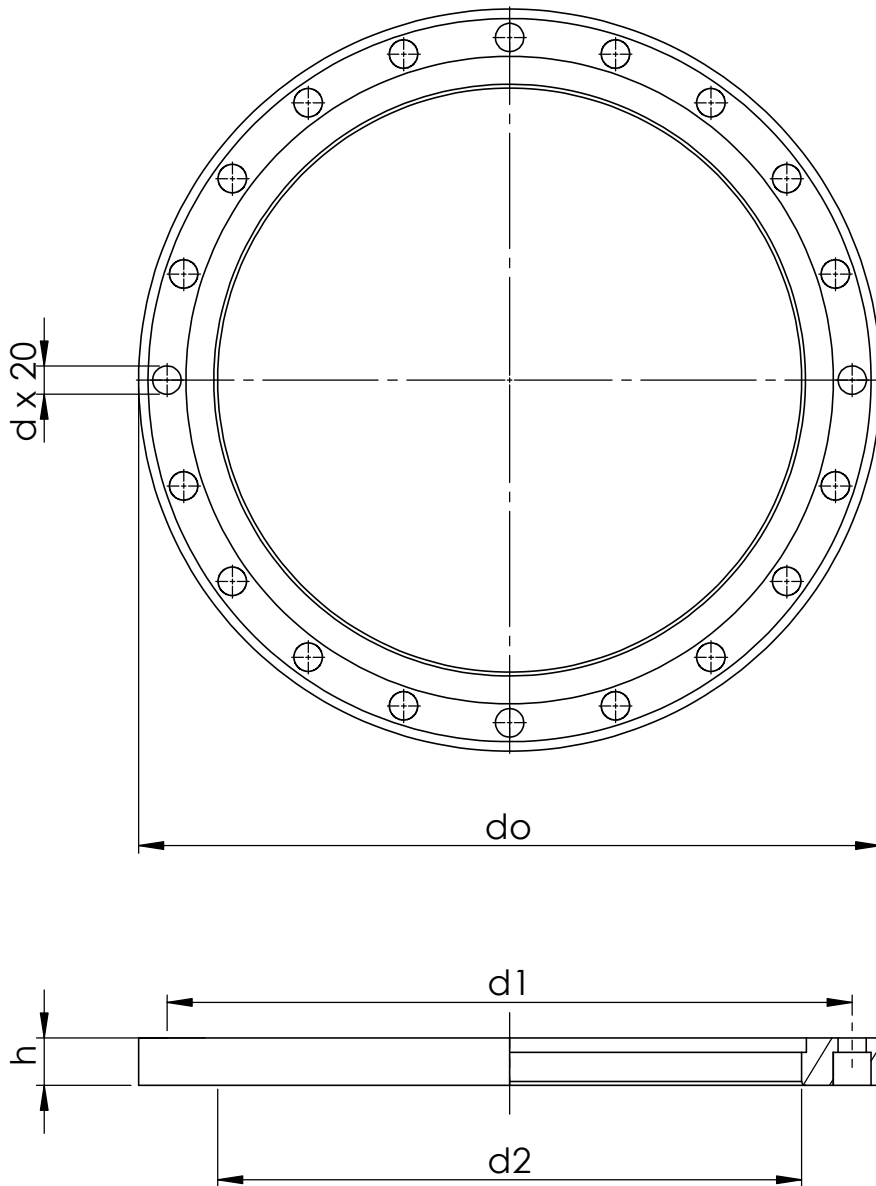
C

B

B

A

A



| Item    | Size<br>(flange/collar) | d  | Bolt<br>size | d1  | d2  | do  | h  | Operating<br>pressure<br>(max) |
|---------|-------------------------|----|--------------|-----|-----|-----|----|--------------------------------|
| 1068673 | 600/560                 | 30 | M27          | 725 | 618 | 785 | 50 | 10                             |

**Uponor**

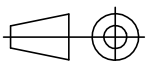
**Description**

INFRA  
Mounting dimensions  
Pressure flange DN600 PN10 Epox  
Flanges

**Drawing number**

Z\_Pressure\_flange\_DN600\_PN10\_EPOX

Sheet: 1/1



4

3

2

1