

4

3

2

1

F

F

E

E

D

D

C

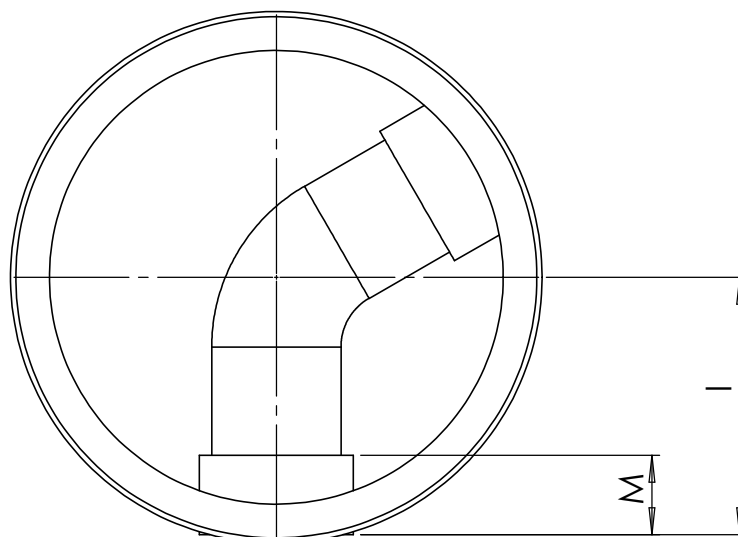
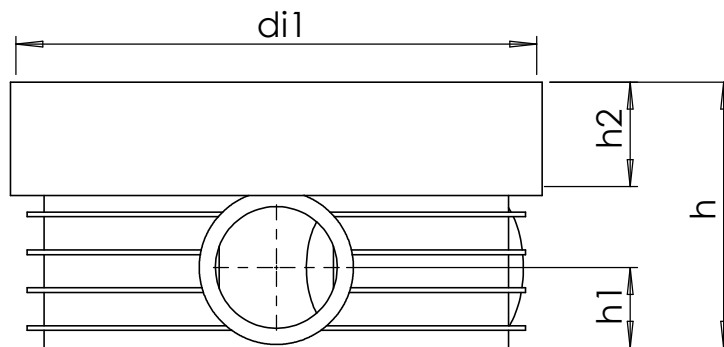
C

B

B

A

A



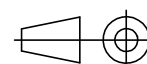
Item	Size	l	di1	h	h1	h2	M
1118294	600/160 0-120	367	689	393	121	158	105
1118300	600/200 0-120	378	689	435	142	158	125
1118306	600/250 0-120	392	689	487	168	158	155
1118312	600/315 0-120	397	689	556	203	158	180

Uponor

Description
INFRA
Mounting dimensions
Sewer inspection chamber
packages

Drawing number
Z_ACCESSO_600_0-120_BLACK_PP

Sheet: 1/1



4

3

2

1