

4

3

2

1

F

F

E

E

D

D

C

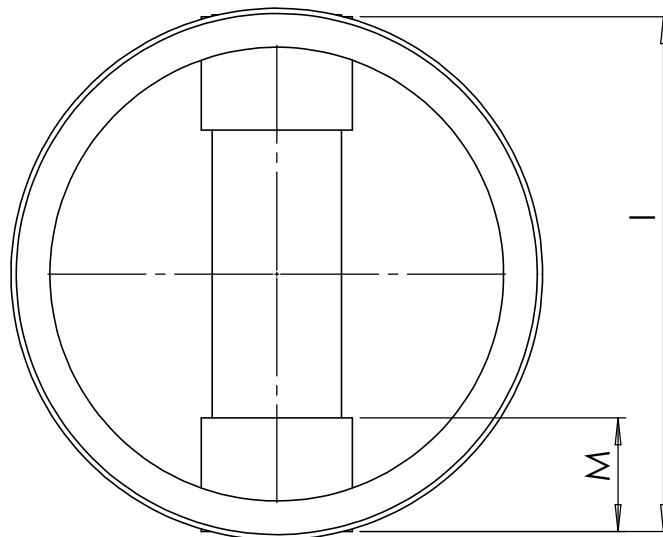
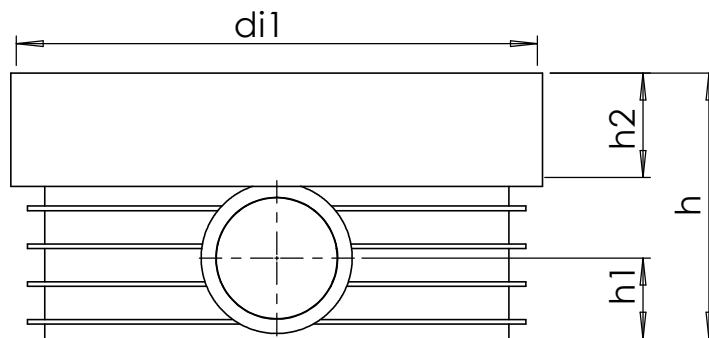
C

B

B

A

A



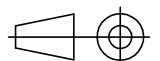
Item	Size	l	di1	h	h1	h2	M
1118296	600/160 0-180 DEG	735	689	393	121	158	105
1118302	600/200 0-180 DEG	755	689	435	142	158	125
1118308	600/250 0-180 DEG	785	689	487	168	158	155
1118314	600/315 0-180 DEG	795	689	556	203	158	180
1118318	600/400 0-180 DEG	815	689	645	246	158	215

Uponor

Description
INFRA
Mounting dimensions
Sewer inspection chamber
packages

Drawing number
Z_ACCESSO_600_0-180_BLACK_PP

Sheet: 1/1



4

3

2

1