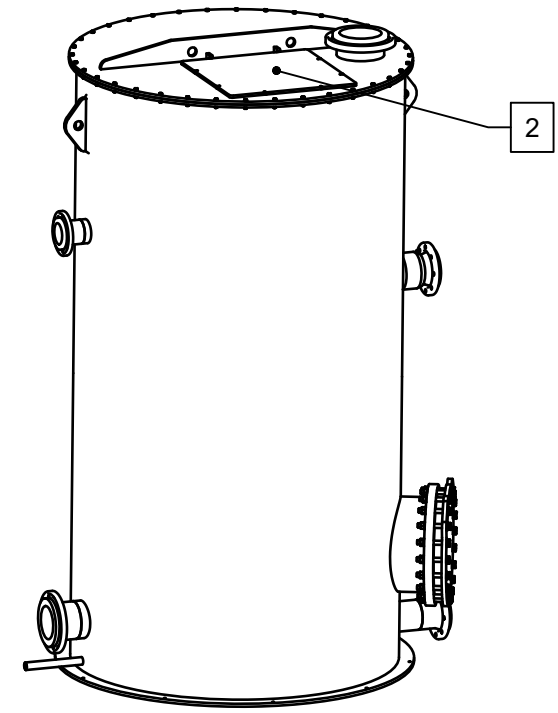
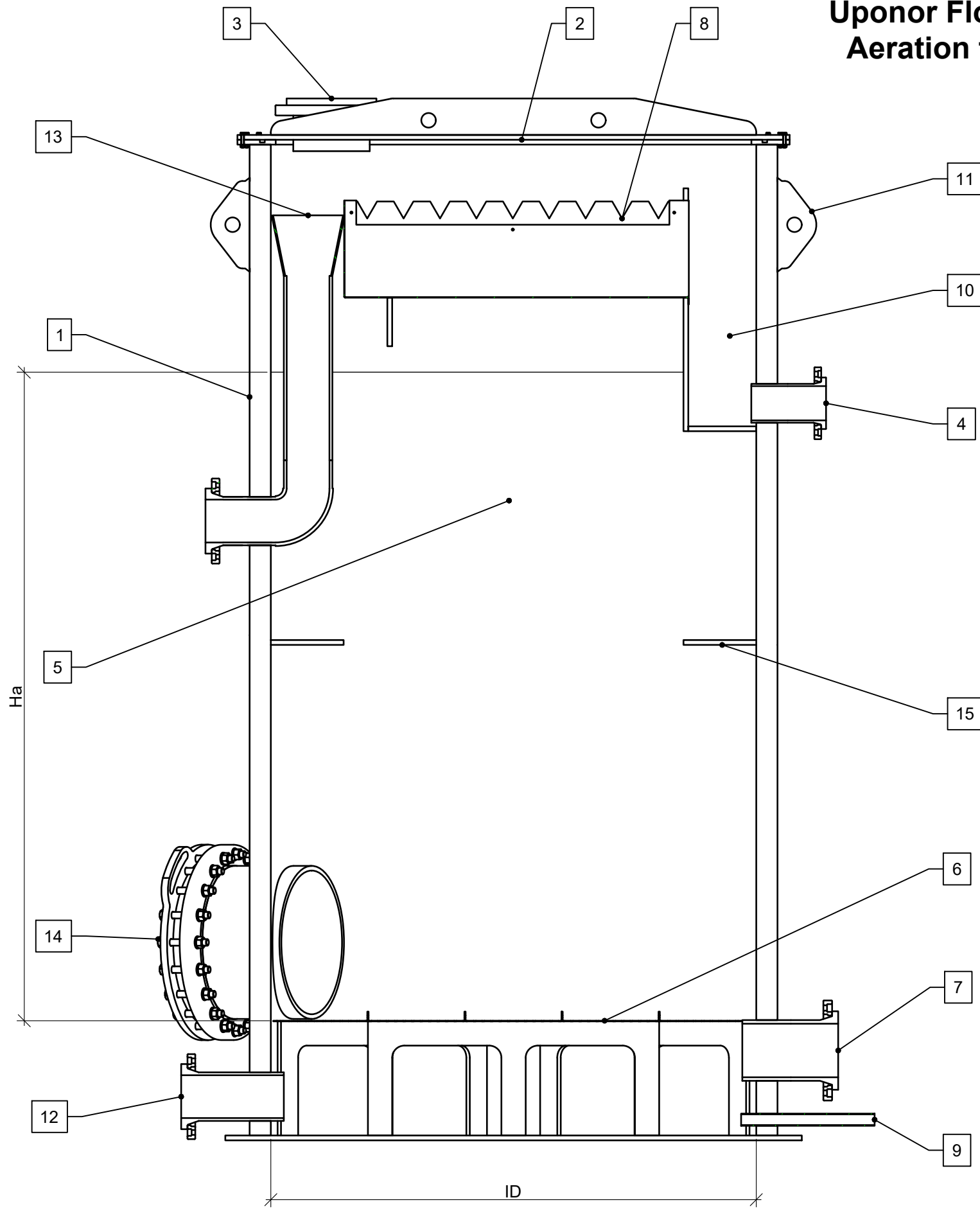



### Uponor Flowise Aeration tank



Limestone alcalization tank			
Pos.	Description	Model/Size	Qty.
1	Tank body PE100 ID	( ) 2000 ( ) 2400 ( ) 3000 ( ) 3400 ( ) Other: _____	1
2	Inspection lid. Polycarbonate	( ) 600x600 ( ) 800x800	1
3	Air outlet	DN315	1
4	Raw water Inlet pipe	DN _____	1
5	Cascade aerator volume	Volume: _____ m <sup>2</sup> / Ha: _____ mm	1
6	Bottom grit	AISI 304	1
7	Air inlet	DN: _____	1
8	Adjustable sprinkler weir		1
9	Emptying pipe	DN: _____	1
10	Settlement area		1
11	Lifting yoke		2+
12	Water outlet pipe	DN: _____	1
13	Overflow pipe	DN: _____	1
14	Inspection hatch	DN600 ( ) YES ( ) NO	1
15	Flow direction plate		1

  WWW.UPONOR.COM	CASE NUMBER -	DRAWN BY ---	HANDLED BY ---
	DATE 09-08-2023	CONTACT PERSON ---	
CONTENT <b>Aeration tank</b>			
SCALE 1:25 (A3)		NUMBER 1140525-1	