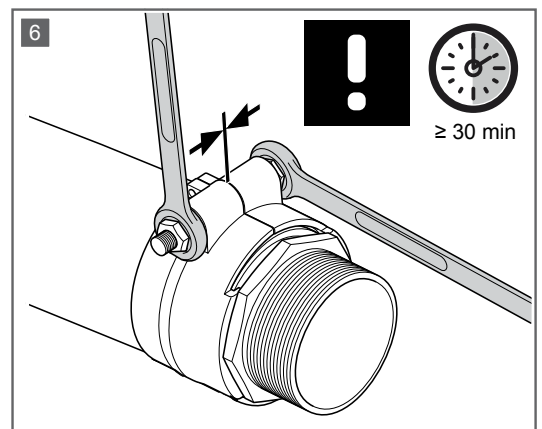
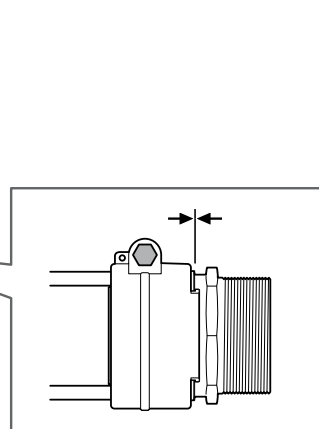
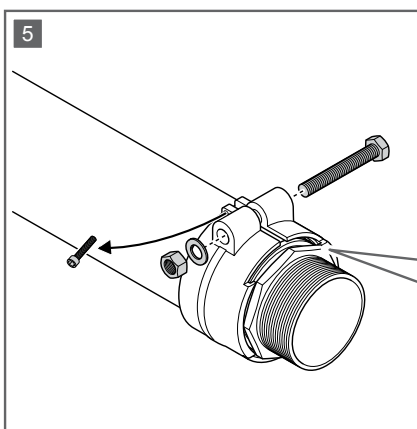
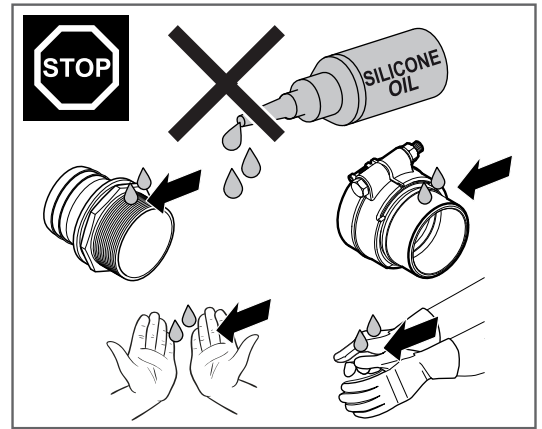
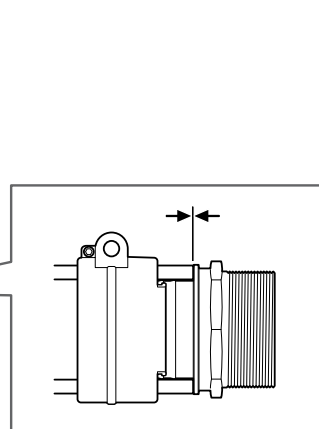
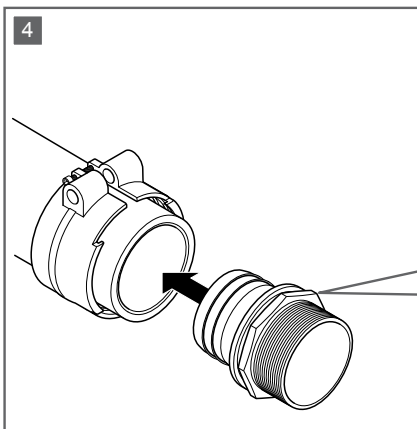
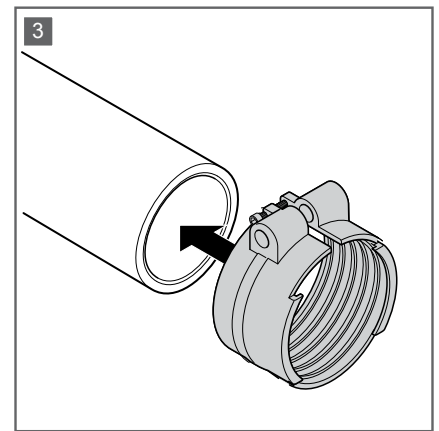
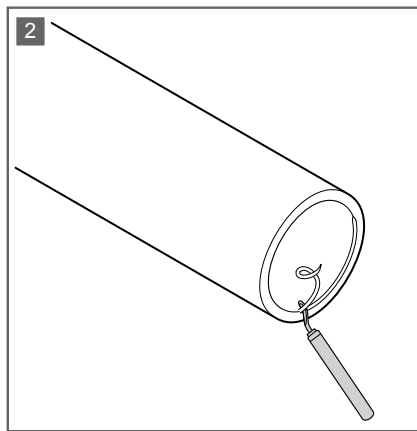
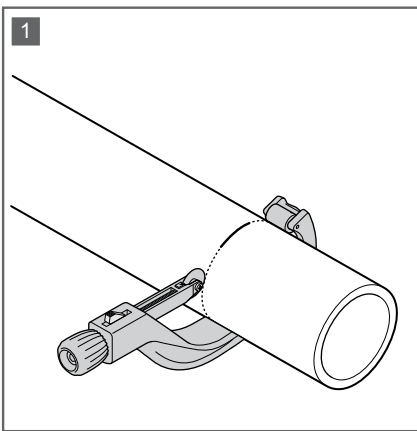
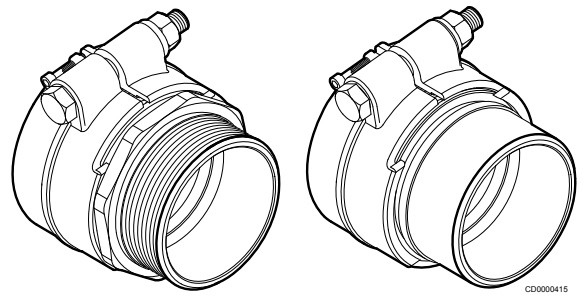
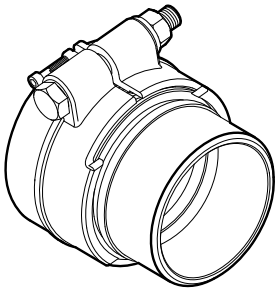
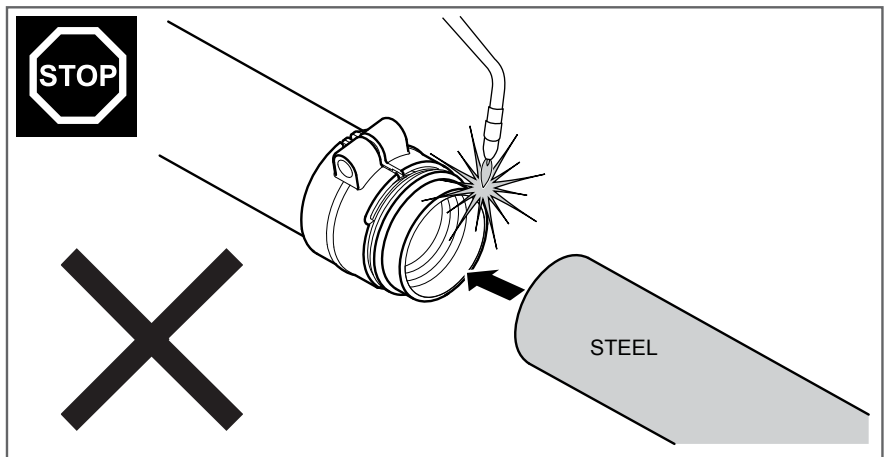
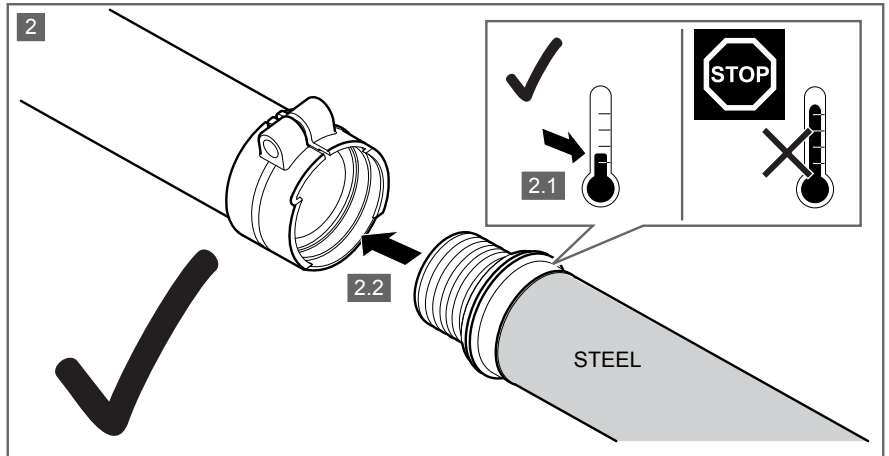
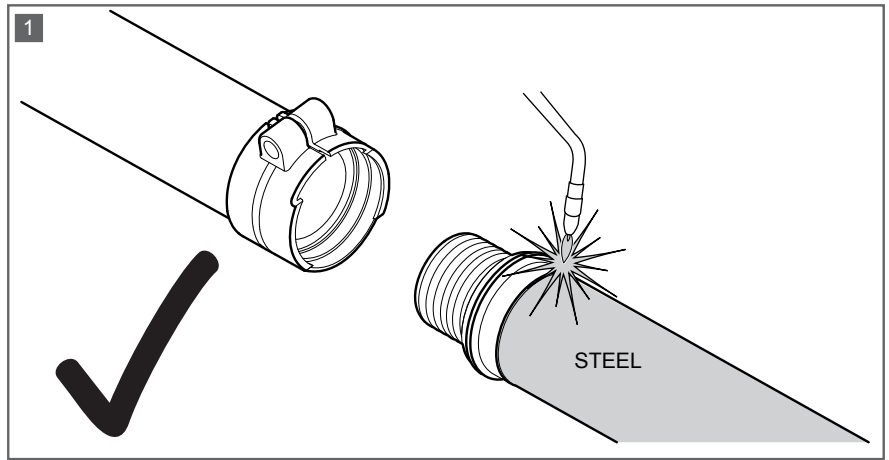


Uponor Ecoflex coupling & weldable adapter





WELDED ADAPTER



SI0000386

Uponor GmbH

Industriestraße 56,
D-97437 Hassfurt, Germany

1085019 v2_04_2025_INT
Production: Uponor / SKA

Uponor reserves the right to make changes, without prior notification, to the specification of incorporated components in line with its policy of continuous improvement and development.



www.uponor.com