

4

3

2

1

F

F

E

E

D

D

C

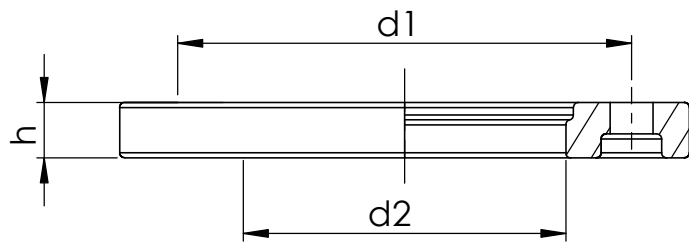
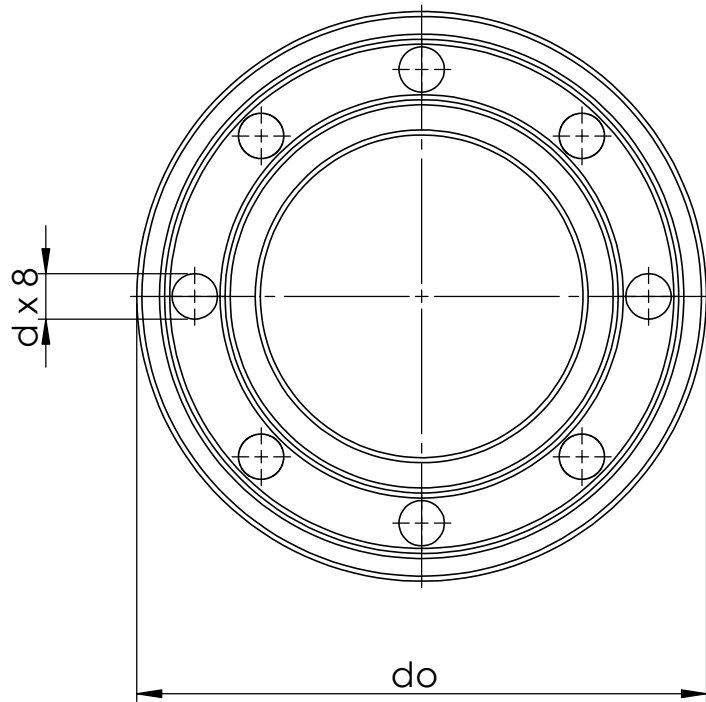
C

B

B

A

A



Item	Size (flange/collar)	d	Bolt size	d1	d2	do	h	Operating pressure (max)
1033667	100/110	18	M16	180	128	220	22	16
1053783	100/125	18	M16	180	135	220	21	16
1053784	125/140	18	M16	210	158	250	25	16
1033668	150/160	22	M20	240	178	285	28	16
1053786	150/180	22	M20	240	188	285	27	16
1053787	200/200	22	M20	295	235	340	32	16
1053788	200/225	22	M20	295	238	340	31	16

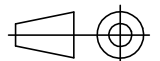
uponor

Description

INFRA
Mounting dimensions
Pressure flange DN100-200 PN10/PN16 PP
Flanges

Drawing number

Z_Pressure_flange_DN_100_200_PN10_PN16_PP



Sheet: 1/1

4

3

2

1